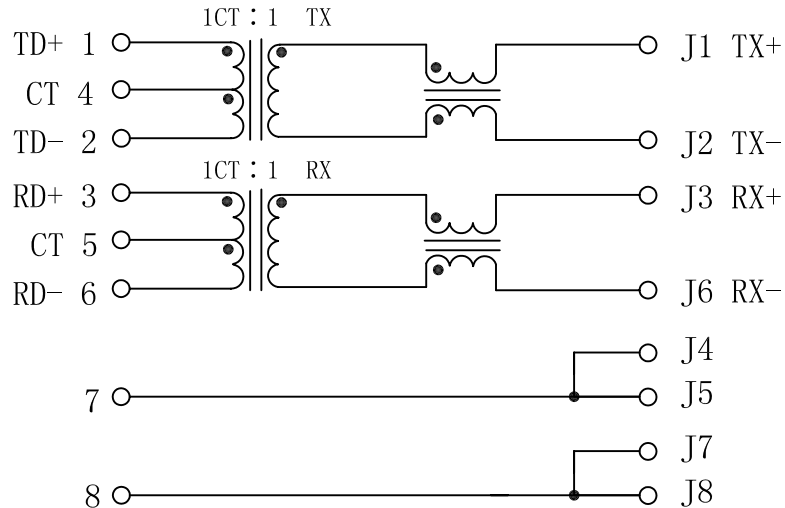


Schematic:

REV.	ECN NO.	DESCRIPTION	DATE	APPD
A	REL		2009/11/23	

PC BOARD CONNECTIONS



RJ45 CONNECTOR

Electrical Specifications @25°C

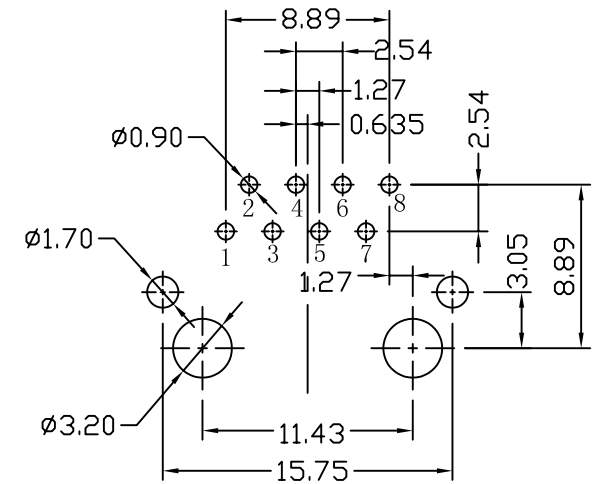
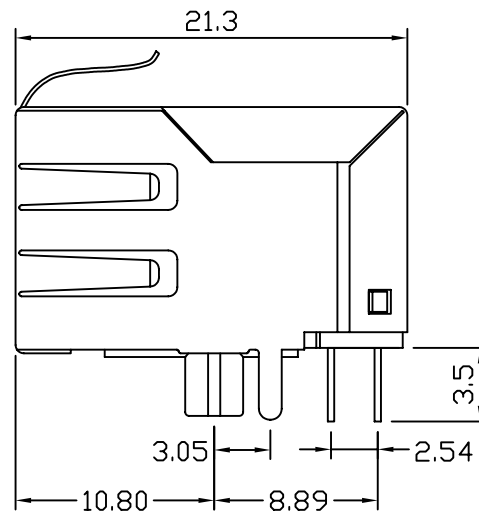
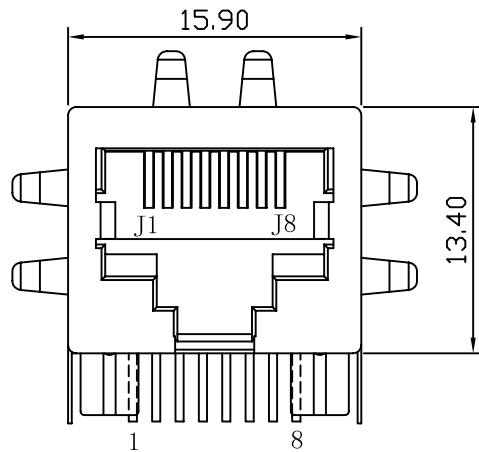
- Turns Ratio:  
TX=1CT:1      RX=1CT:1
- Inductance: 350uH Min
- Insertion Loss:  
1~65MHz: -1.0dB Max
- Return Loss(dB Min):  
1~10MHz: -20      10~30MHz: -16  
30~60MHz: -12      60~100MHz: -10
- Crosstalk(dB Min):  
1~30MHz: -40      30~60MHz: -35  
60~100MHz: -30
- CMR(dB Min):  
1~50MHz: -30      50~150MHz: -20
- HI-POT: 1500Vrms @ 60Hz 1 MIN
- Operating Temperature: 0°C ~ +70°C.



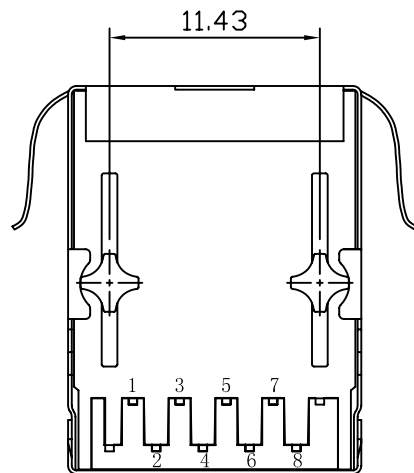
X:X ±0.25	APPD:	LINK-PP INT'L TECHNOLOGY CO., LIMITED		
X:XX ±0.20	CHKD:	TITLE: RJ45 Connector with 10/100 Base-T Integrated Magnetics		
X:XXX ±0.05	DR: TOM	PART NO.: LPJ0006CNL		
ANGLES ±1°	UNIT: mm	DWG NO.: LP09112306		
	SCALE: 2/1	SHEET: 1/2	REV: A	

Mechanical:

REV.	ECN NO.	DESCRIPTION	DATE	APPD
A	REL		2009/11/23	



SUGGESTED PCB LAYOUT (TOP VIEW)



NOTES:

1. Designed to support application, such as SOHO (ADSL modems), LAN-on-Motherboard (LOM), hub and Switches.
2. Meets IEEE 802.3 specification
3. Connector Materials:  
 Housing: Thermoplastic UL94V-0  
 Contact/Shield: Copper alloy  
 Shield plating: Nickel  
 Contact plating: Gold 6 micro-inches min. In contact area.
4. Wave solder tip temperature: 265°C Max  
 Wave solder tip temperature time: 5 Sec Max



X:X ±0.25	APPD:	LINK-PP INT'L TECHNOLOGY CO., LIMITED
X:XX ±0.20	CHKD:	
X:XXX ±0.05	DR: TOM	
ANGLES ±1°	UNIT: mm	TITLE: RJ45 Connector with 10/100 Base-T Integrated Magnetics
		PART NO.: LPJ0006CNL
	SCALE: 2/1	SHEET: 2/2
	REV: A	DWG NO.: LP09112306