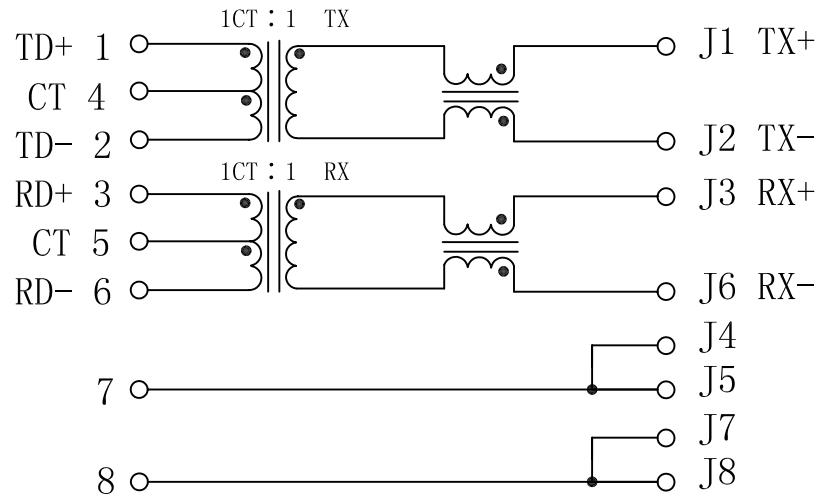


Schematic:

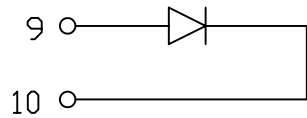
REV.	ECN NO.	DESCRIPTION	DATE	APPD
A	REL		23/11/2009	

PC BOARD CONNECTIONS

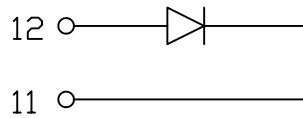


RJ45 CONNECTOR

GREEN/LEFT LED



YELLOW/RIGHT LED



Electrical Specifications @25°C

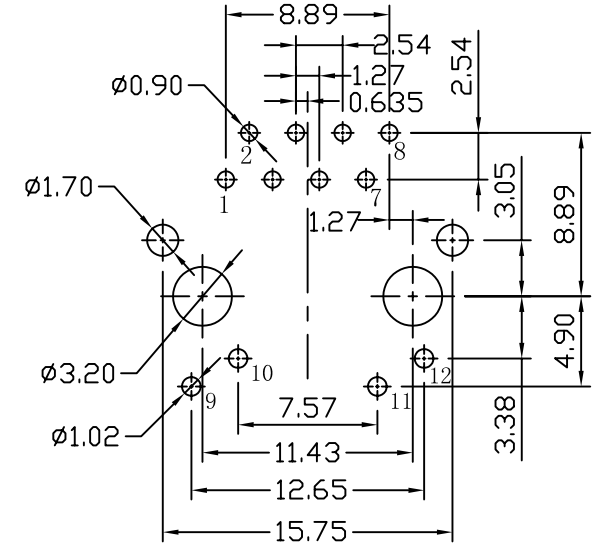
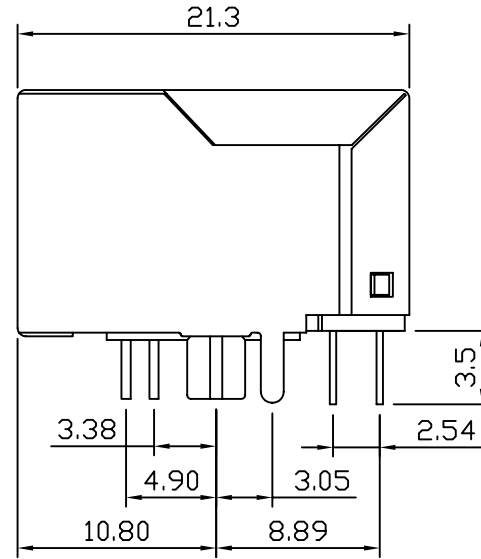
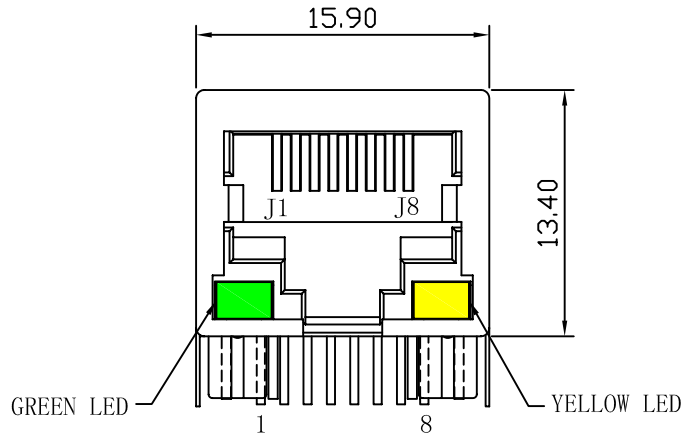
- Turns Ratio:
TX=1CT:1 RX=1CT:1
- Inductance: 350uH Min
- Insertion Loss:
1-65MHz: -1.0dB Max
- Return Loss (dB Min):
1-10MHz: -20 10-30MHz: -16
30-60MHz: -12 60-100MHz: -10
- Crosstalk (dB Min):
1-30MHz: -40 30-60MHz: -35
60-100MHz: -30
- CMR (dB Min):
1-50MHz: -30 50-150MHz: -20
- Hipot: 1500Vrms @ 60Hz 1 MIN
- Operating Temperature: 0°C ~ +70°C.



X:X ±0.25	APPD:	LINK-PP INT'L TECHNOLOGY CO., LIMITED		
X:XX ±0.20	CHKD:	TITLE: RJ45 Connector with 10/100 Base-T Integrated Magnetics		
X:XXX ±0.05	DR: TOM	PART NO.: LPJ0006BBNL		
ANGLES ±1°	UNIT: mm			
	SCALE: 2/1	SHEET: 1/2	REV: A	DWG NO.: LP08121206

Mechanical:

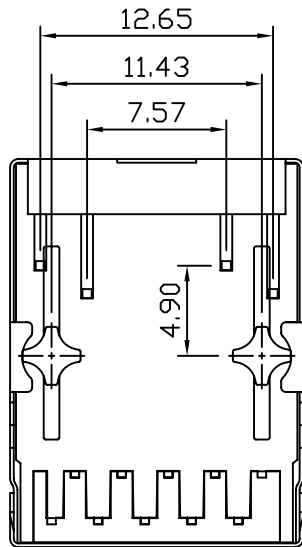
REV.	ECN NO.	DESCRIPTION	DATE	APPD
A	REL		23/11/2009	



SUGGESTED PCB LAYOUT (TOP VIEW)

NOTES:

1. Designed to support application, such as SOHO (ADSL modems), LAN-on-Motherboard (LOM), hub and Switches.
2. Meets IEEE 802.3 specification
3. Connector Materials:
 Housing: Thermoplastic UL94V-0
 Contact/Shield: Copper alloy
 Shield plating: Nickel
 Contact plating: Gold 6 micro-inches min. In contact area.
4. Wave solder tip temperature: 265°C Max
 Wave solder tip temperature time: 5 Sec Max



X:X	±0.25	APPD:	LINK-PP INT'L TECHNOLOGY CO., LIMITED	
X:XX	±0.20	CHKD:	TITLE: RJ45 Connector with 10/100 Base-T Integrated Magnetics	
X:XXX	±0.05	DR: TOM	PART NO. : LPJ0006BBNL	
ANGLES	±1°	UNIT: mm	DWG NO. : LP08121206	
	SCALE: 2/1	SHEET: 2/2	REV: A	