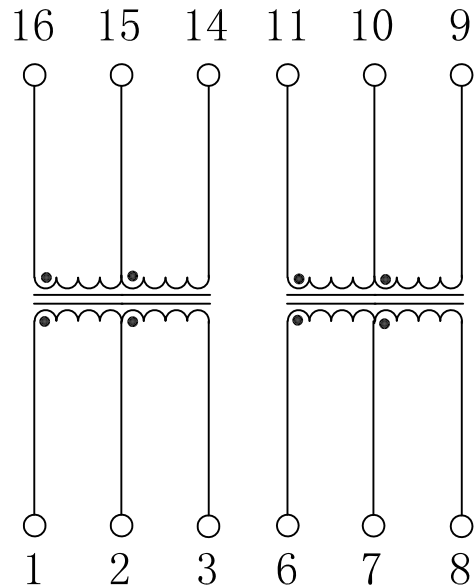


Schematic:

REV.	ECN NO.	DESCRIPTION	DATE	APPD
A	REL		17/06/2008	

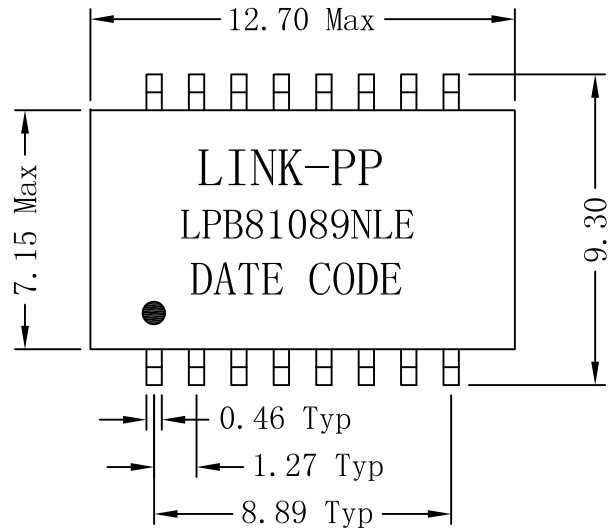
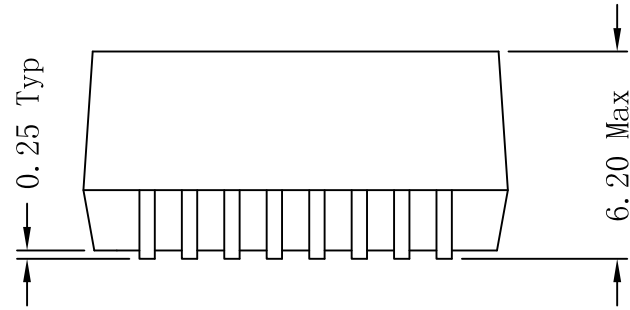


Electrical Specifications @25°C

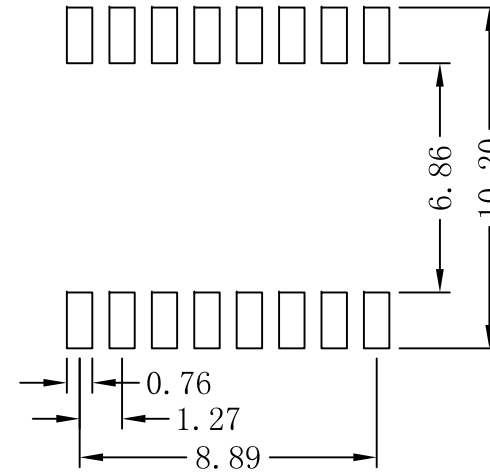
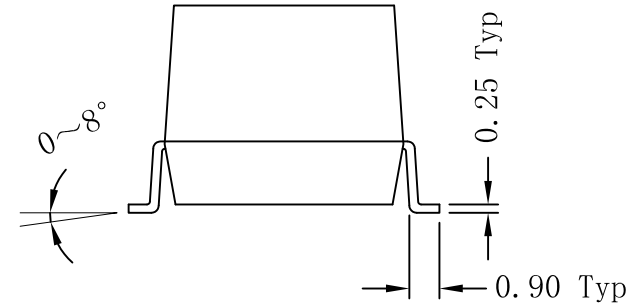
- Turns Ratio: (Pri : Sec $\pm 5\%$)
1CT : 1CT & 1CT : 1CT
- Primary Pins: 1-3, 6-8
- OCL: 1.2 & 1.2mH min
- Cw/w: 30 & 30pF max
- LL: 0.8 & 0.8uH max
- DCR: 0.7 & 0.7Ω max
- Isolation Voltage: 1500Vrms
- Operating Temperature: -40°C ~ +85°C.

X:X	APPD:	LINK-PP INT'L TECHNOLOGY CO., LIMITED		
X:XX	CHKD:	TITLE: T1/CEPT/ISDN-PRI Transformers		
X:XXX	DR: TOM	PART NO.: LPB81089NLE		
ANGLES $\pm 1^\circ$	UNIT: mm	SCALE: 2/1	SHEET: 1/2	REV: A
		DWG NO.:		

Mechanical:



REV.	ECN NO.	DESCRIPTION	DATE	APPD
A	REL		17/06/2008	



SUGGESTED PAD LAYOUT

NOTES:

1. T1/CEPT/ISDN-PRI Dual SMT Transformers.
2. With various turns ratios.
3. The part is RoHS compliant.
4. RoHS "NLE" peak solder rating 245°C.



Dimensions: mm

Unless otherwise specified, all tolerances are ± 0.25

X:X	APPD:	LINK-PP INT'L TECHNOLOGY CO., LIMITED		
X:XX	CHKD:	TITLE: T1/CEPT/ISDN-PRI Transformer		
X:XXX	DR: TOM	PART NO.: LPB81089NLE		
ANGLES $\pm 1^\circ$	UNIT: mm			
	SCALE: 2/1	SHEET: 2/2	REV: A	DWG NO.: