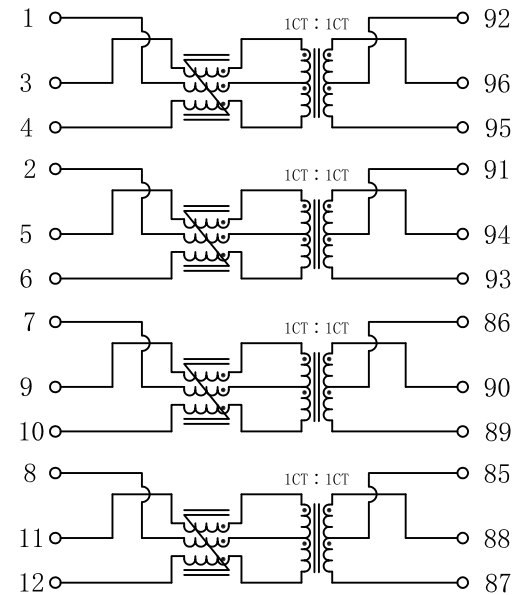


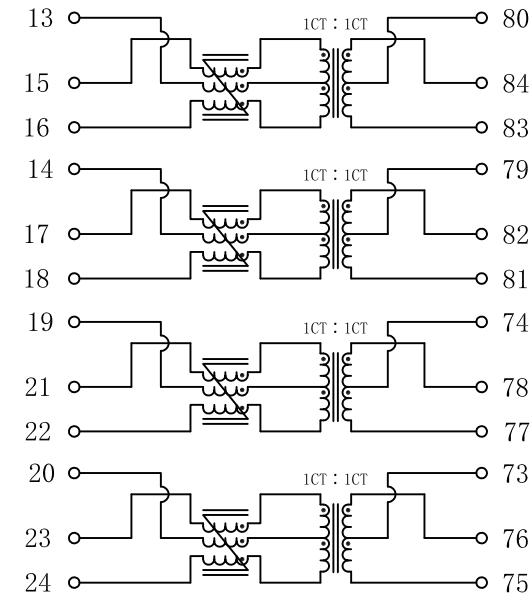
# Schematic:

REV.	ECN NO.	DESCRIPTION	DATE	APPD
A	REL		2016/08/04	

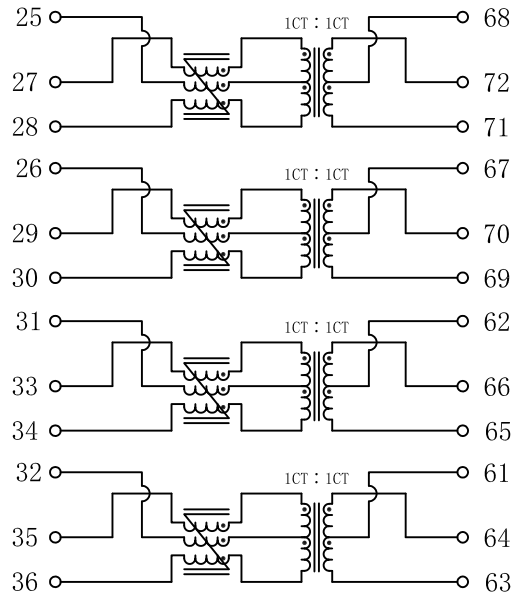
PHY SIDE **Port1** LINE SIDE



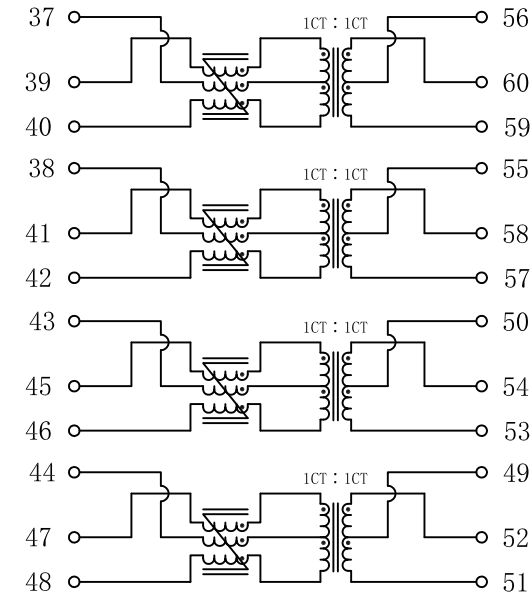
PHY SIDE **Port2** LINE SIDE



**Port3**



**Port4**



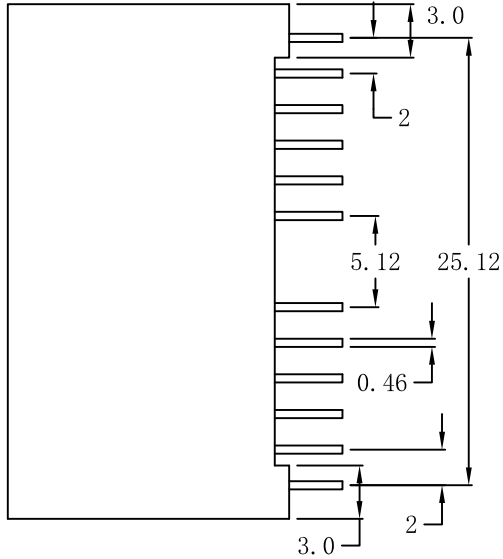
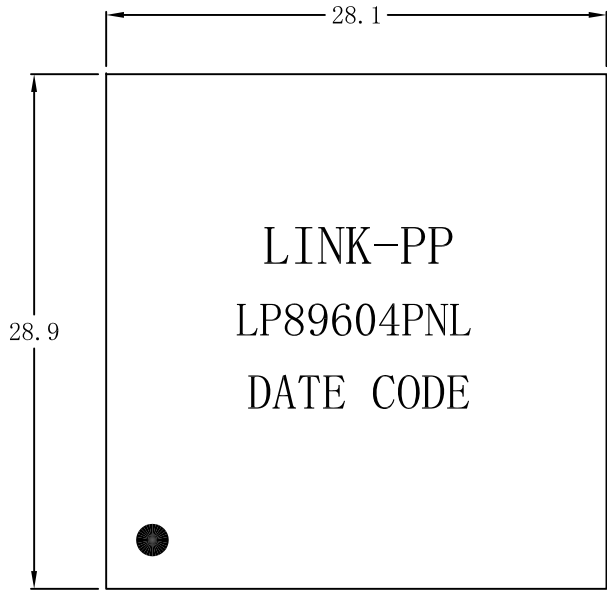
## Electrical Specifications @25°C

- Turns Ratio ( $\pm 2\%$ ):  
1CT:1CT
- OCL (@100KHz, 100mV, 25mA, DC Bias):  
300uH MIN
- Insertion Loss (dB MAX):  
100KHz: -1.2  
1-125MHz:  $-0.2 + 0.002 * f^{1.4}$
- Return Loss (dB MIN, @100  $\Omega \pm 15\%$ ):  
1-40MHz: -16  
40. 1-100MHz:  $-10 + 20 * \log(f/80)$
- Crosstalk (dB MIN):  
1MHz: -50  
10-100MHz:  $-55 + 20 * \log(f/10)$
- CMRR (dB MIN):  
2MHz: -50  
30-200MHz:  $-15 + 20 * \log(f/200)$
- Hipot: 1500Vrms
- Operating Temperature: 0°C ~ 70°C.

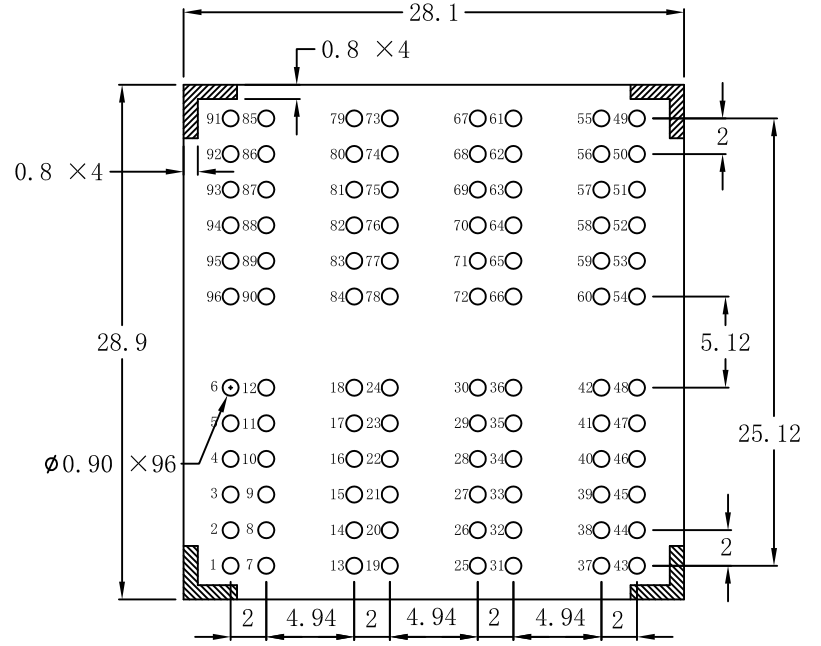


X:X	APPD:	LINK-PP INT'L TECHNOLOGY CO., LIMITED		
X:XX ±0.25	CHKD:	TITLE: HIGH PoE+(850mA) ENABLED TRANSFORMER 10/100/1000 BASE-T QUAD PORT SURFACE MOUNT MAGNETICS		
X:XXX	DR: SEA	PART NO.: LP89604PNL		
ANGLES ±1°	UNIT: mm			
	SCALE: 2/1	SHEET: 1/2	REV: A	DWG NO.: LP17042101

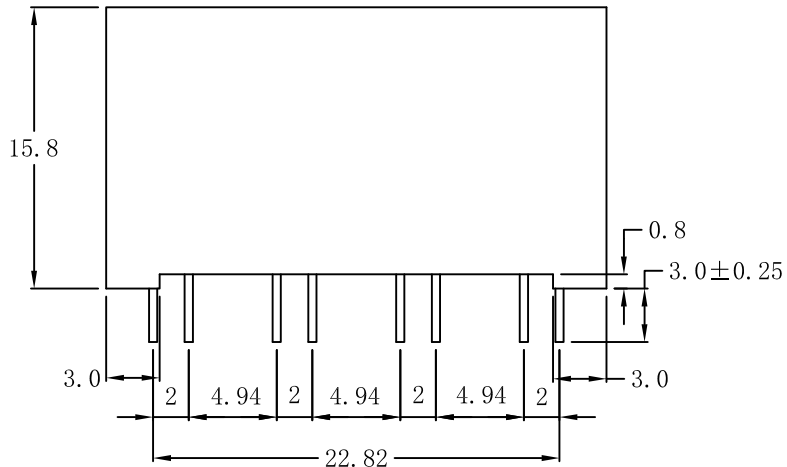
# Mechanical:



REV.	ECN NO.	DESCRIPTION	DATE	APPD
A	REL		2016/08/04	



SUGGESTED PCB LAYOUT(TOP VIEW)



## NOTES:

1. Meets IEEE 802.3at & ANSI X3.263 Standards.
2. 10/100/1000 Base-T, Through-Hole Type For PoE+ Application.
3. 850mA Current Capability Per PoE Port.
4. RoHS Compliant.
5. For RoHS part add suffix NL.
6. RoHS "NL" peak solder rating 245°C.
7. UL Certification: File Number E484635



X:X	APPD:	LINK-PP INT'L TECHNOLOGY CO., LIMITED	
X:XX ±0.25	CHKD:	TITLE: HIGH PoE+(850mA)ENABLED TRANSFORMER 10/100/1000 BASE-T QUAD PORT SURFACE MOUNT MAGNETICS	
X:XXX	DR: SEA	PART NO.: LP89604PNL	
ANGLES ±1°	UNIT: mm		
	SCALE: 2/1	SHEET: 2/2	REV: A DWG NO.: LP17042101