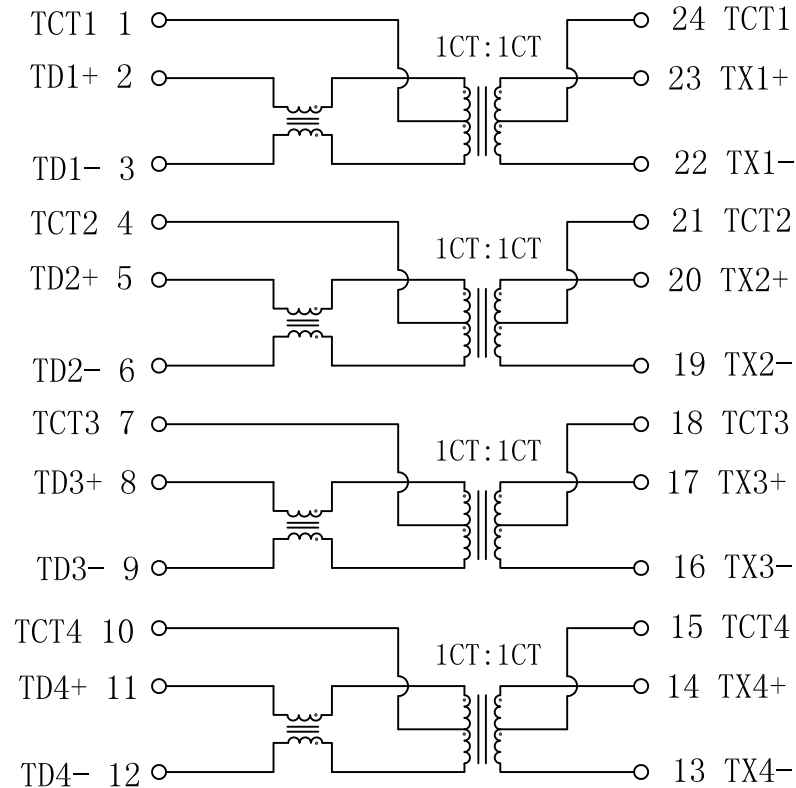


Schematic:

REV.	ECN NO.	DESCRIPTION	DATE	APPD
A	REL		2013/12/03	



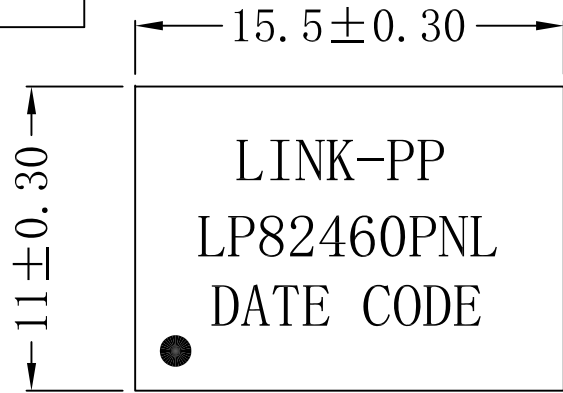
Electrical Specifications @25°C

- Turns Ratio ($\pm 5\%$):
Pri : Sec = 1CT : 1CT
- OCL: 350uH Min
@100KHz, 100mV, 8mA DC BIAS
- Insertion Loss:
1-100MHz: -1.1 dB MAX
- Return Loss (dB MIN):
30MHz: -18 60-80MHz: -12
100MHz: -10
- Crosstalk (dB MIN):
30MHz: -40 60MHz: -35
100MHz: -30
- Common Mode Rejection Ratio (dB MIN):
30MHz: -40 60MHz: -35
100MHz: -30
- Hipot: 1500Vrms
- Operating Temperature: 0°C ~ 70°C.

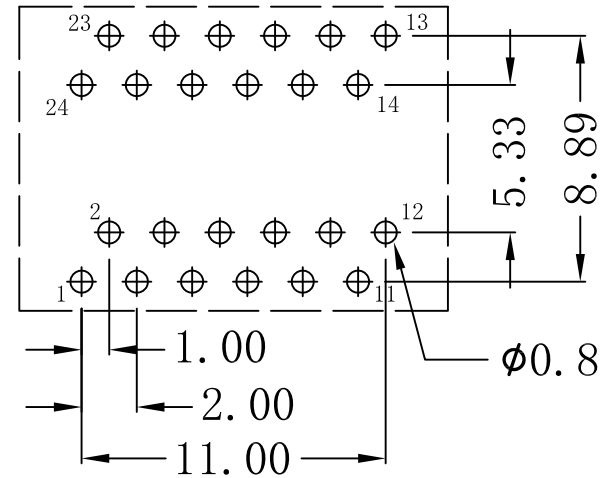
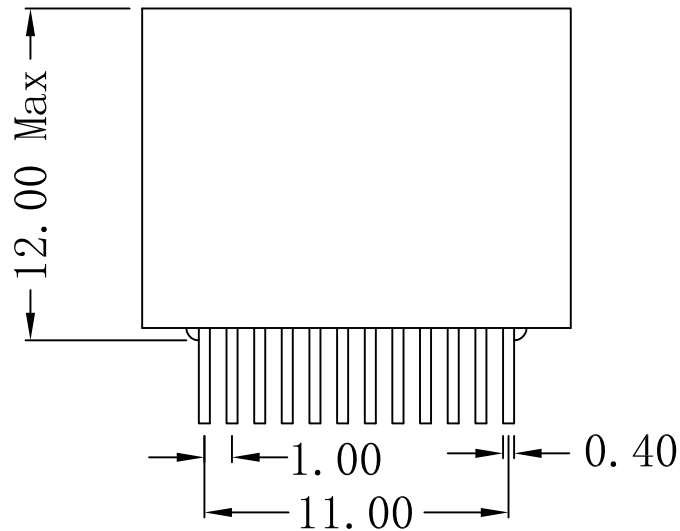
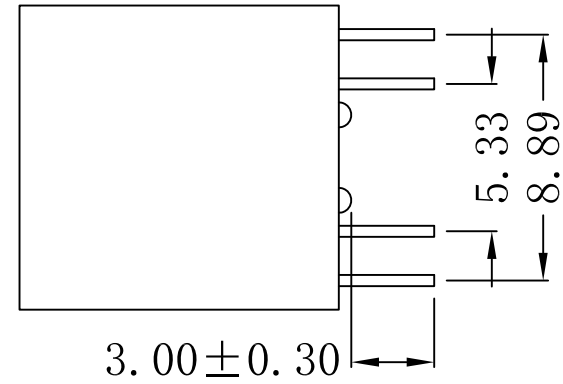


X:X	± 0.30	APPD:	LINK-PP INT'L TECHNOLOGY CO., LIMITED	
X:XX	± 0.25	CHKD:	TITLE: 100/1000BASE-TX TRANSFORMER	
X:XXX	± 0.05	DR: TOM	PART NO.: LP82460PNL	
ANGLES	$\pm 1^\circ$	UNIT: mm	PART NO.: LP82460PNL	
	SCALE: 2/1	SHEET: 2/2	REV: A	DWG NO.: LP13120302

Mechanical:



REV.	ECN NO.	DESCRIPTION	DATE	APPD
A	REL		2013/12/03	



NOTES:

1. 100/1000Base-Tx Transformer
2. For RoHS part add suffix NL.
3. RoHS "NL" peak solder rating 250°C.
4. UL Certification: File Number E484635.



X:X	± 0.30	APPD:	LINK-PP INT'L TECHNOLOGY CO., LIMITED
X:XX	± 0.25	CHKD:	
X:XXX	± 0.05	DR: TOM	TITLE: 100/1000BASE-TX TRANSFORMER
ANGLES	$\pm 1^\circ$	UNIT: mm	PART NO.: LP82460PNL
	SCALE: 2/1	SHEET: 2/2	REV: A
			DWG NO.: LP13120302