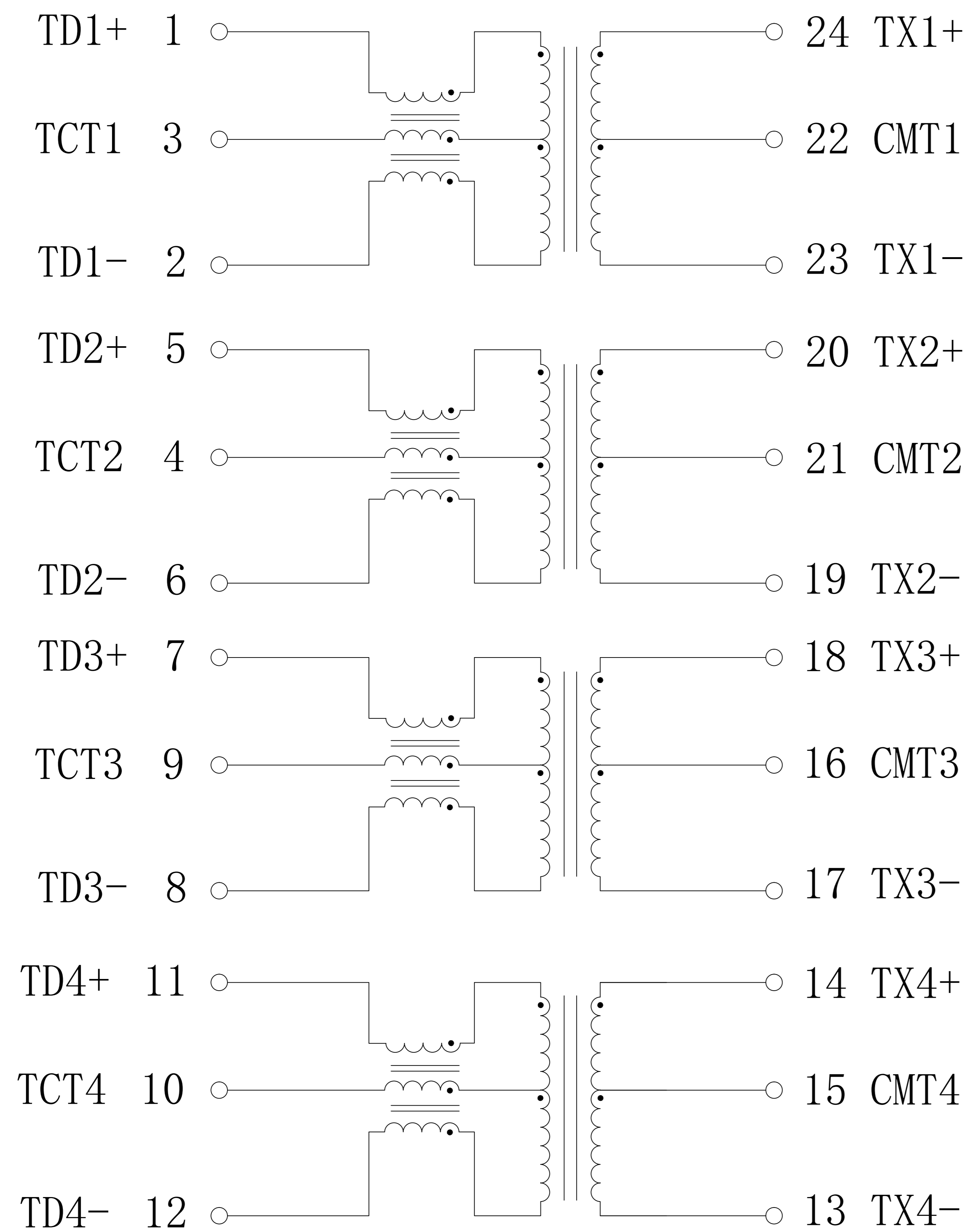


Schematic:

REV.	ECN NO.	DESCRIPTION	DATE	APPD
A	REL		2010/10/21	



Electrical Specifications @25°C

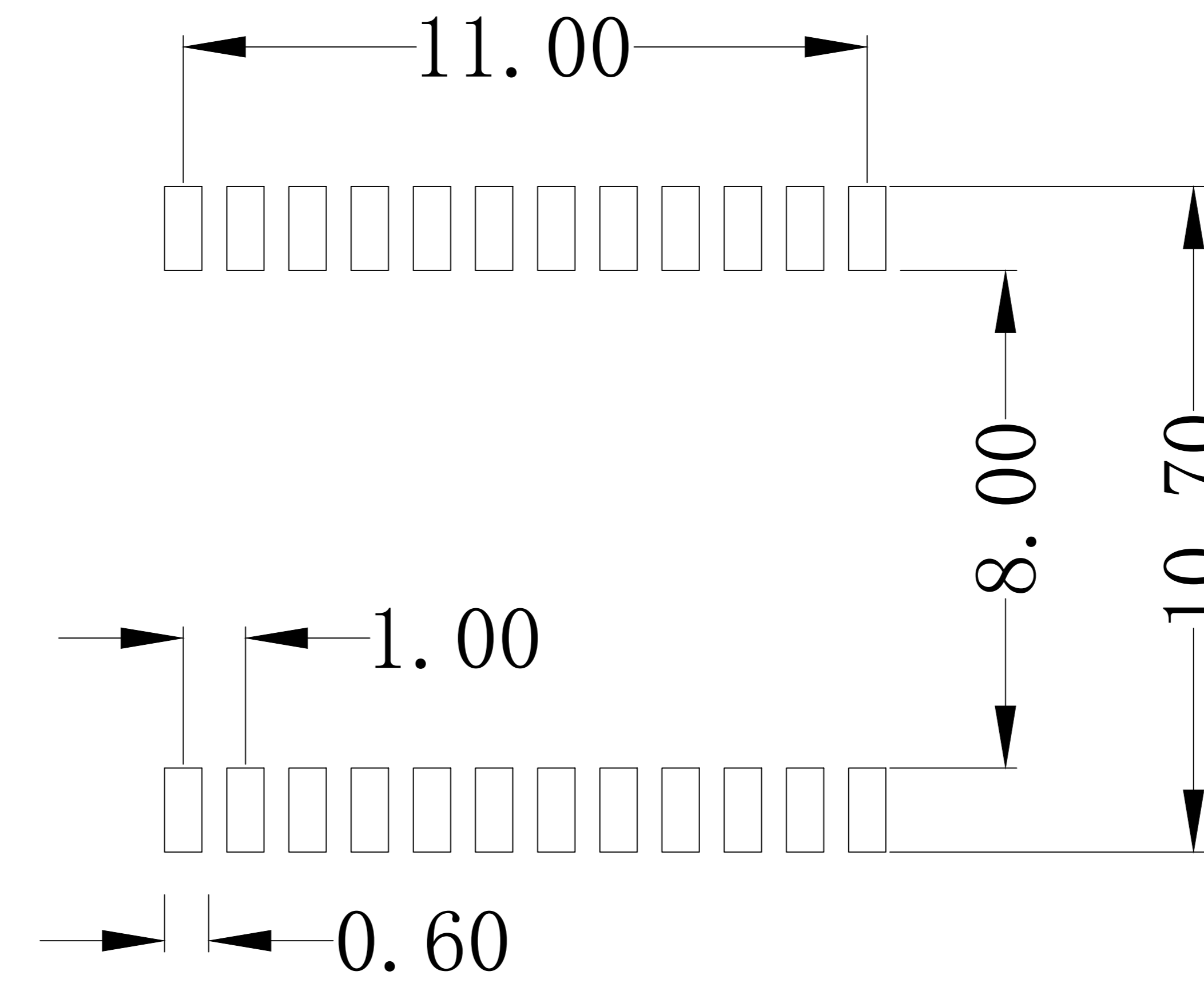
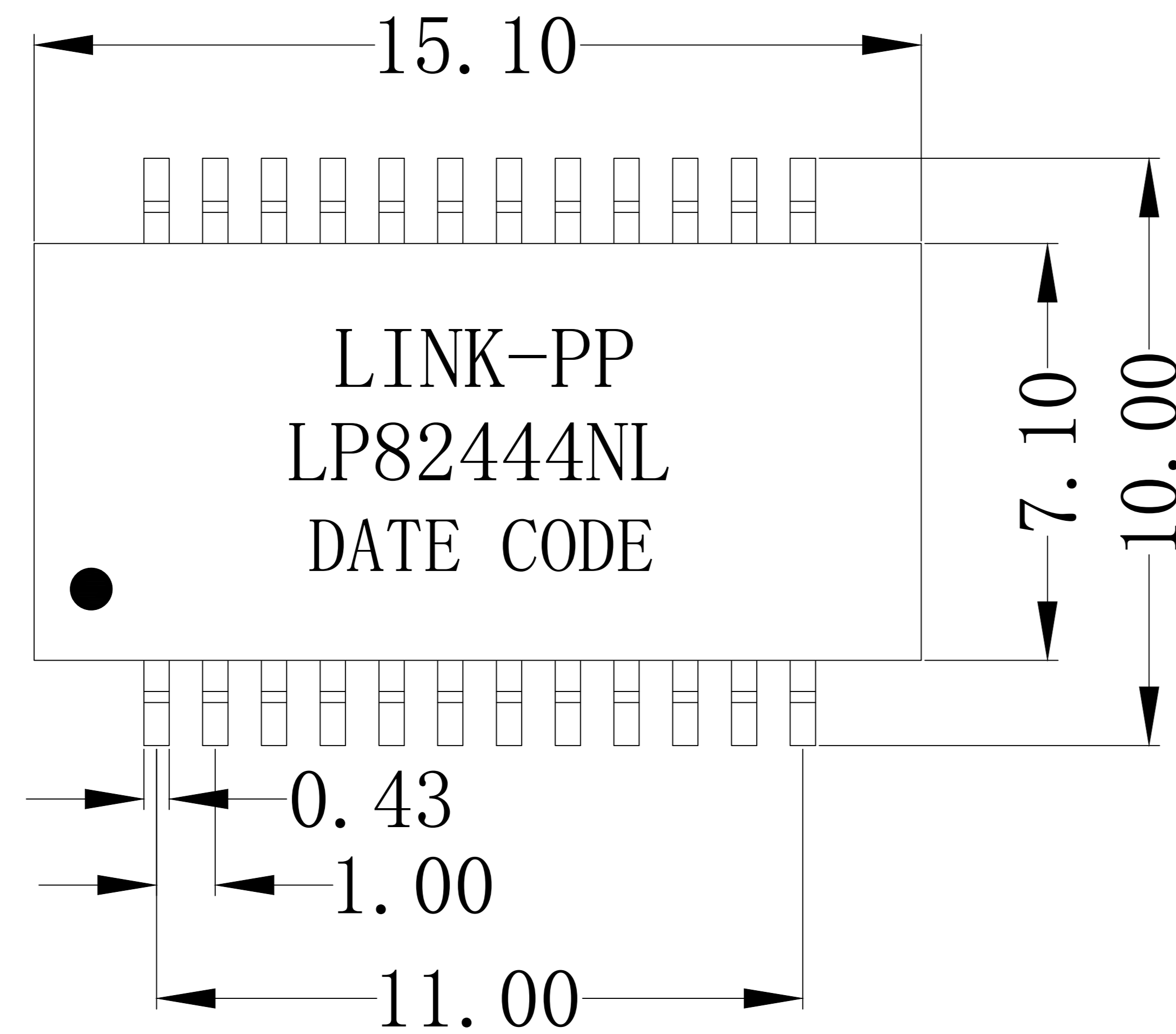
- Turn Ratio:
1CT:1CT $\pm 2\%$
- Inductance OCL: 350uH Min
@100KHz, 0.1V, 8mA DC BLAS
- Insertion Loss:
1-100MHz:-1.1dB Max
- Return Loss:
1-40MHz:-18dB Min
60MHz:-14dB Min
80MHz:-12dB Min
100MHz:-10dB Min
- Crosstalk:
1-30MHz:-50dB Typ
60MHz:-45dB Typ
100MHz:-40dB Typ
- Common Mode Rejection:
1-100MHz:-40dB Typ
- Isolation: 1500Vrms
- Operating Temperature: -40°C ~ +85°C.



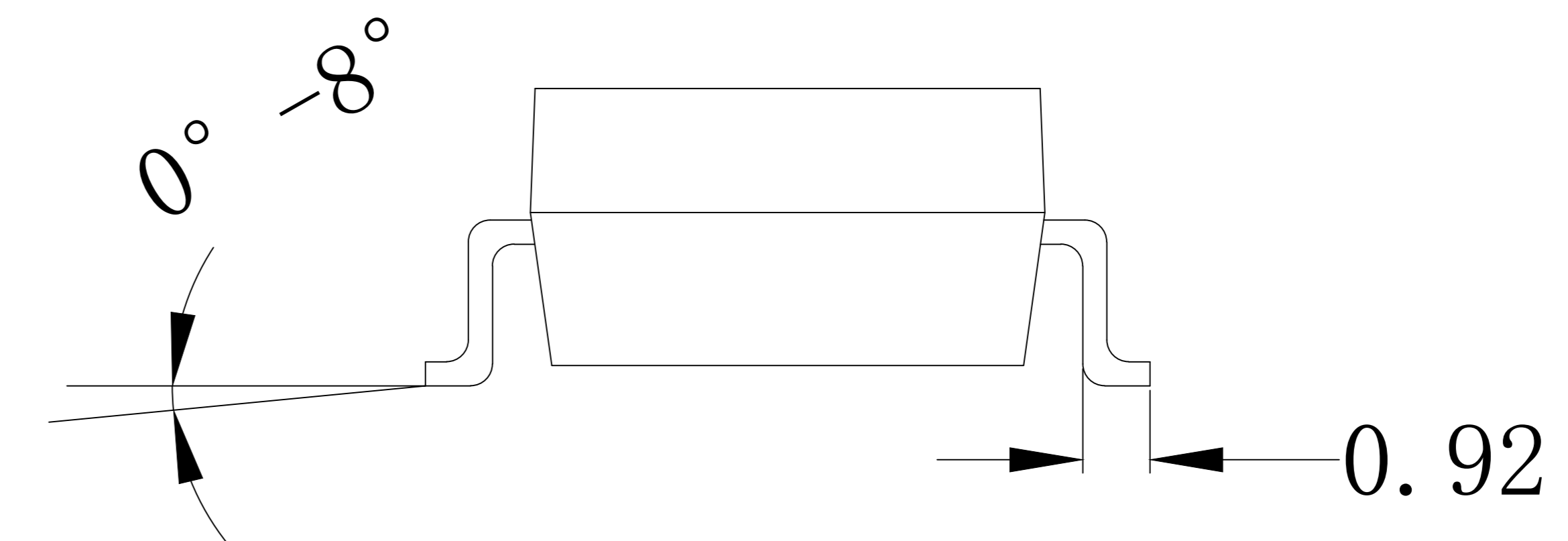
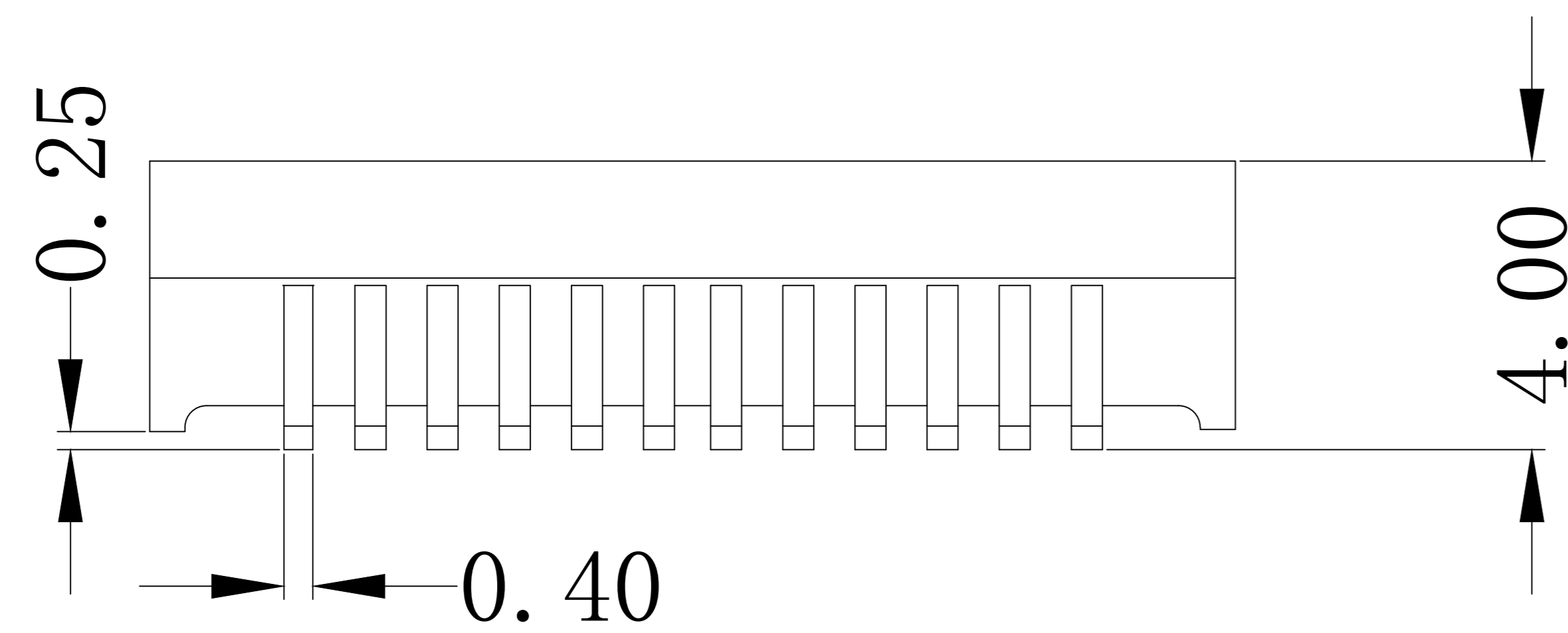
X:X	APPD:	LINK-PP INT'L TECHNOLOGY CO., LIMITED		
X:XX ±0.25	CHKD:	TITLE: 1000Base-T Magnetics Modules For PoE Application		
X:XXX	DR: TOM	PART NO.: LP82444NL		
ANGLES ±1°	UNIT: mm			
	SCALE: 2/1	SHEET: 1/2	REV: A	DWG NO.: LP10102130

Mechanical:

REV.	ECN NO.	DESCRIPTION	DATE	APPD
A	REL		2010/10/21	



SUGGESTED PAD LAYOUT



NOTES

1. Designed For Gigabit Transceivers
2. Peak Reflow Temperature Rating 250°C
3. Magnetics, Designed For Gigabit PHY Used In Backplane.
4. Compliant With IEEE 802.3af Standard.
5. PoE applications with 350mA current capability.
6. UL Certification: File Number E484635.

X:X	APPD:	LINK-PP INT'L TECHNOLOGY CO., LIMITED
X:XX ±0.25	CHKD:	TITLE: 1000Base-T Magnetics Modules For PoE Application
X:XXX	DR: TOM	PART NO.: LP82444NL
ANGLES ±1°	UNIT: mm	
	SCALE: 2/1	SHEET: 2/2
	REV: A	DWG NO.: LP10102130