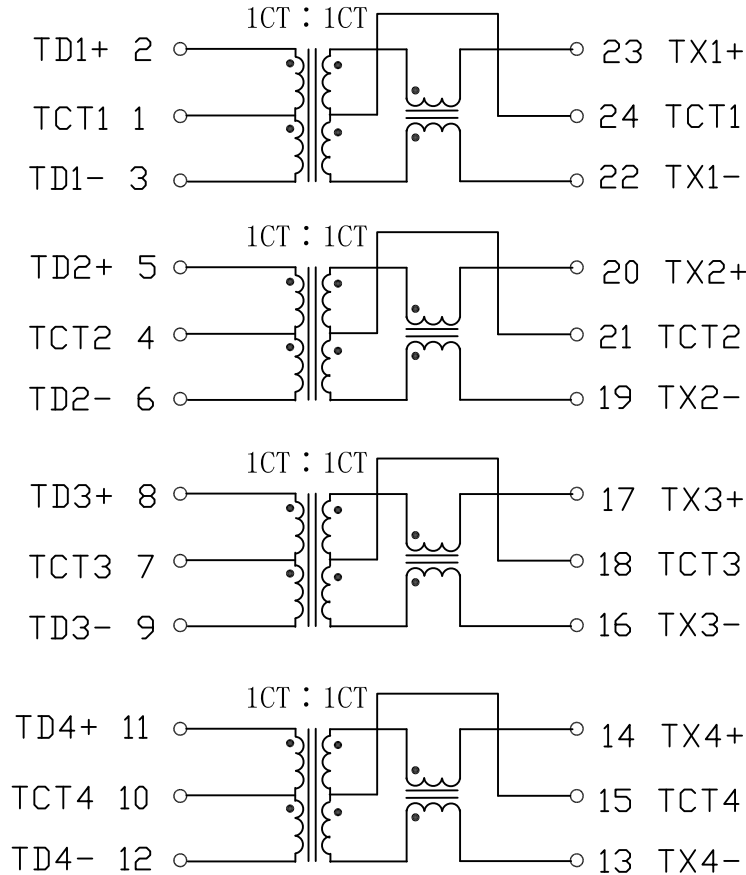


Schematic:

REV.	ECN NO.	DESCRIPTION	DATE	APPD
A	REL		2020-07-03	



ELECTRICAL SPECIFICATIONS @25°C

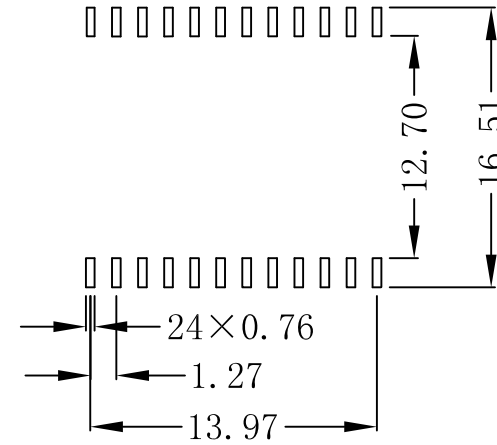
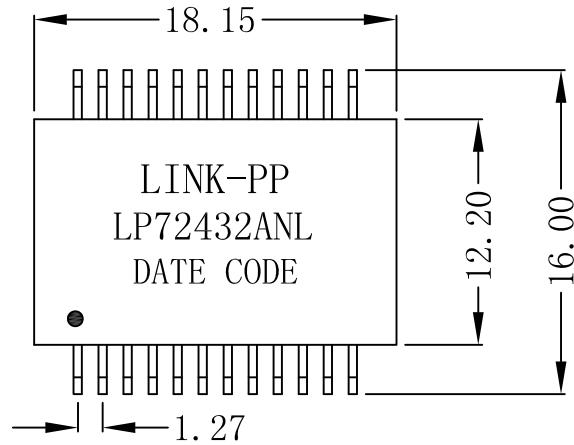
- Turn Ratio(±2%):
Pri : Sec = 1CT : 1CT
- Inductance OCL:
150uH Min @100KHz, 0.1V
- Insertion Loss(dB Max):
1~50MHz:-0.5 50~125MHz:-1.0
- Return Loss(dB Min):
1~40MHz:-20
40~200MHz:-20+15*LOG (f/40)
- Cross talk(dB Min):
1~125MHz:-30
- Common Mode Rejection Ratio(dB Min):
30~200MHz:-30
- Common to Diff Rejection Ratio(dB Min):
10~125MHz:-45+f/35
- Hipot Test: 1500Vrms Min
- Operating Temperature: -40°C ~+85°C.



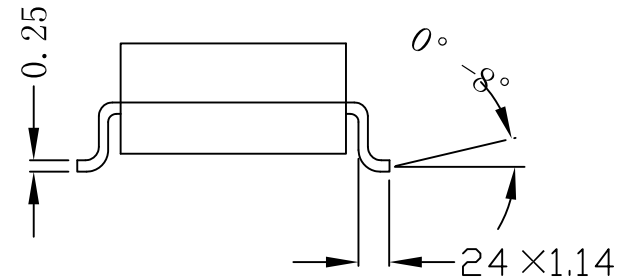
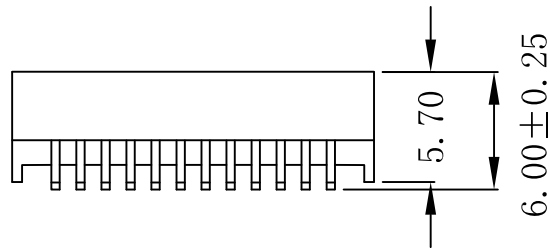
X:X	APPD:	LINK-PP INT'L TECHNOLOGY CO., LIMITED		
X:XX ±0.25	CHKD:	TITLE: 2.5G Base-T Magnetic Modules For PoE+ Application		
X:XXX	DR: SEA	PART NO.: LP72432ANL		
ANGLES ±1°	UNIT: mm			
	SCALE: 2/1	SHEET: 1/2	REV: A	DWG NO.: LP20070302

Mechanical:

REV.	ECN NO.	DESCRIPTION	DATE	APPD
A	REL		2020-07-03	



SUGGESTED PAD LAYOUT



NOTES:

1. Designed to Support 2.5G Base-T Transceivers
2. Compliant with IEEE 802.3at standard
3. PoE applications with 600mA current capability.
4. RoHS peak reflow temperature rating 250°C
5. UL Certification: File Number E484635.



X:X	APPD:	LINK-PP INT'L TECHNOLOGY CO., LIMITED		
X:XX ±0.25	CHKD:	TITLE: 2.5G Base-T Magnetic Modules For PoE+ Application		
X:XXX	DR: SEA	PART NO.: LP72432ANL		
ANGLES ±1°	UNIT: mm	SCALE: 2/1	SHEET: 2/2	REV: A
		DWG NO.: LP20070302		