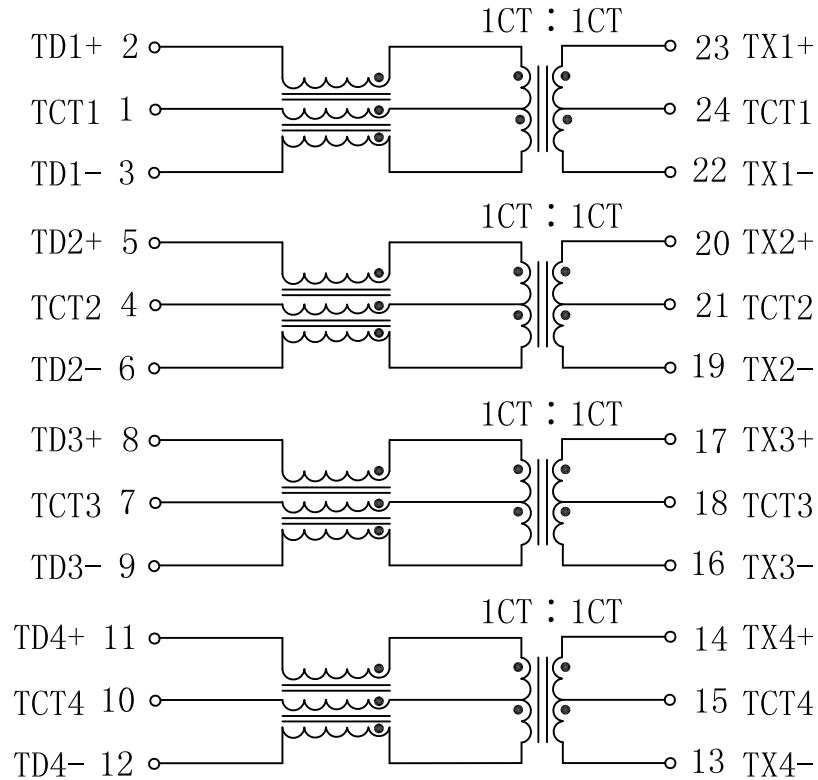


Schematic:

REV.	ECN NO.	DESCRIPTION	DATE	APPD
B	REL		2018-08-25	



Electrical Specification @25°C

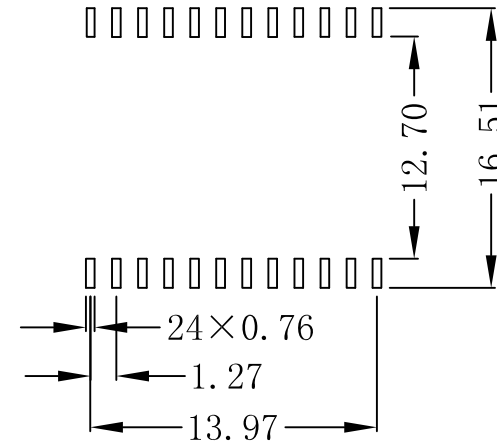
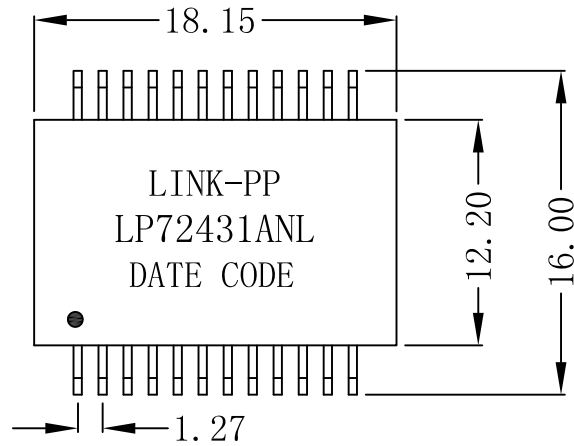
- Turns Ratio:
Pri : Sec = 1CT : 1CT ±5%
- Inductance (OCL):
120uH Min @100KHz, 100mV, 8mADC.
- Insertion Loss (dB Max):
1-200KHz: -1.2 200-300MHz: -1.5
300-400MHz: -2.0 400-500MHz: -3.0
- Return Loss (dB Min):
1-100MHz: -18 100-200MHz: -16
200-300MHz: -12 300-400MHz: -10
400-500MHz: -6
- Crosstalk:
1-500MHz: -25dB Typ
- Common to Differential Mode Rejection:
1-500MHz: -20dB Typ
- Hipot: 1500Vrms Min
- Operating temperature range: -40°C ~ +85°C.
Storage temperature range: -40°C ~ +85°C.



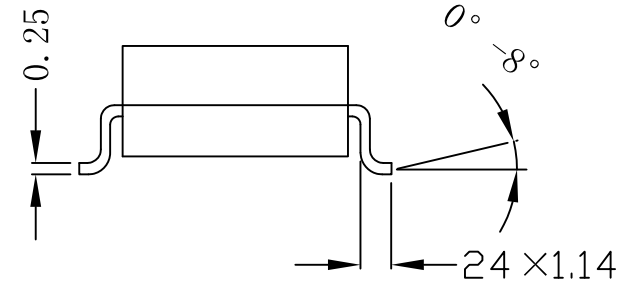
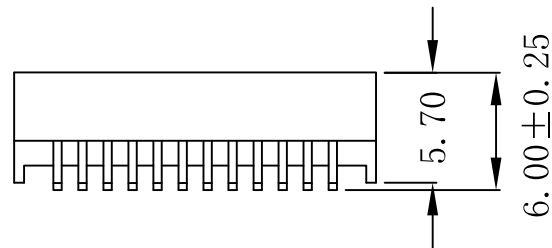
X:X	APPD:	LINK-PP INT'L TECHNOLOGY CO., LIMITED	
X:XX ±0.25	CHKD:	TITLE: 10GBase-T Magnetic Modules For PoE++ Application	
X:XXX	DR: TOM	PART NO.: LP72431ANL	
ANGLES ±1°	UNIT: mm		
	SCALE: 2/1	SHEET: 1/2	REV: B DWG NO.: LP18082516

Mechanical:

REV.	ECN NO.	DESCRIPTION	DATE	APPD
B	REL		2018-08-25	



SUGGESTED PAD LAYOUT



NOTES:

1. Designed to Support 10G Base-T Transceivers
2. Compliant with IEEE 802.3bt standard
3. PoE support 100W: One 10G Base-T(Full channels) port support 1.0A DC balance current.
4. RoHS peak reflow temperature rating 250°C
5. UL Certification: File Number E484635.



X:X	APPD:	LINK-PP INT'L TECHNOLOGY CO., LIMITED		
X:XX ±0.25	CHKD:	TITLE: 10GBase-T Magnetic Modules For PoE++ Application		
X:XXX	DR: TOM	PART NO.: LP72431ANL		
ANGLES ±1°	UNIT: mm			
	SCALE: 2/1	SHEET: 2/2	REV: B	DWG NO.: LP18082516