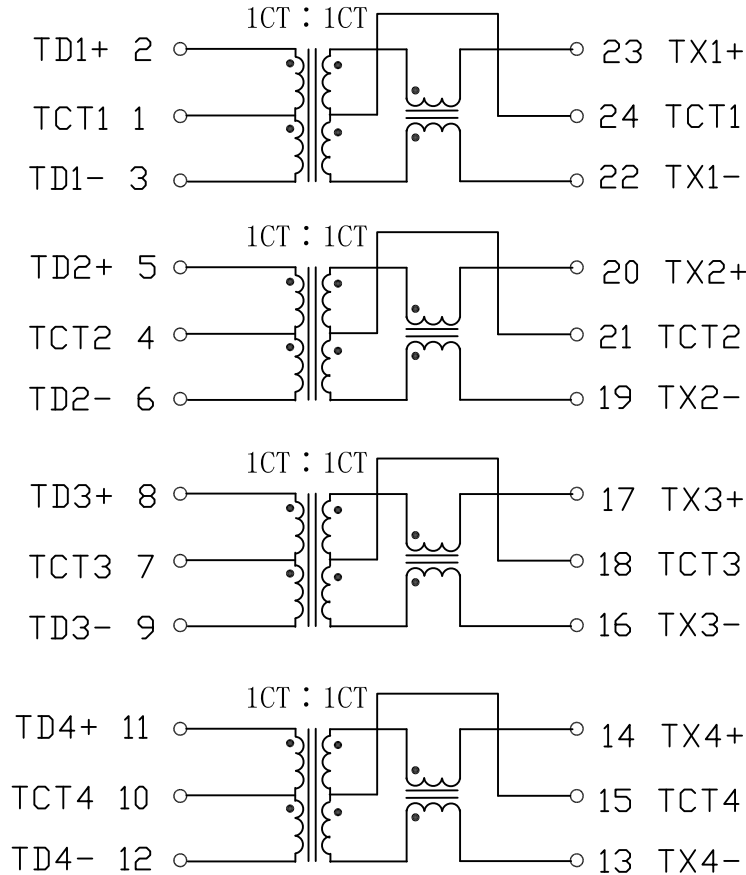


# Schematic:

REV.	ECN NO.	DESCRIPTION	DATE	APPD
A	REL		2019-06-15	



## Electrical Specification @25°C

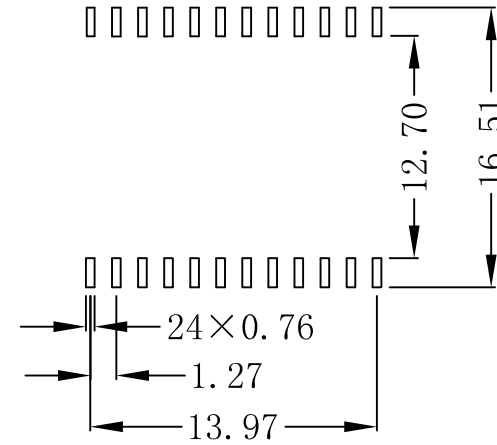
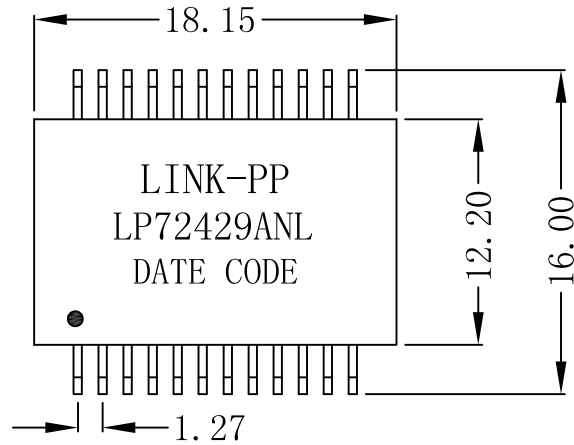
- Turns Ratio:  
Pri : Sec = 1CT : 1CT ±3%
- Inductance (OCL):  
180uH Min @100KHz, 100mV
- Insertion Loss (dB Max):  
1-100MHz: -1.0      100-250MHz: -2.0
- Return Loss (dB Min):  
1-40MHz: -16      40-250MHz: -8
- Crosstalk (dB Min):  
1-100MHz: -40      100-250MHz: -30
- DCMR (dB Min):  
1-250MHz: -30
- Hipot: 1500Vrms MIN
- Operating Temperature: -40°C ~ +85°C



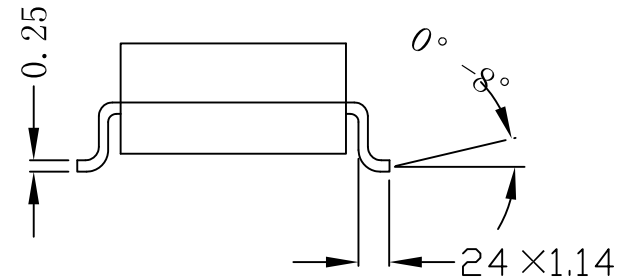
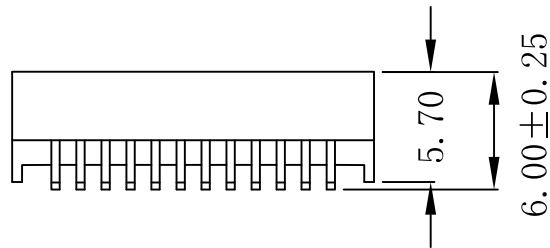
X:X	APPD:	LINK-PP INT'L TECHNOLOGY CO., LIMITED		
X:XX ±0.25	CHKD:	TITLE: 5G Base-T Magnetic Modules For PoE+ Application		
X:XXX	DR: SEA	PART NO.: LP72429ANL		
ANGLES ±1°	UNIT: mm			
	SCALE: 2/1	SHEET: 1/2	REV: A	DWG NO.: LP19061518

# Mechanical:

REV.	ECN NO.	DESCRIPTION	DATE	APPD
A	REL		2019-06-15	



SUGGESTED PAD LAYOUT



## NOTES:

1. Designed to Support 5G Base-T Transceivers
2. Compliant with IEEE 802.3at standard
3. PoE applications with 600mA current capability.
4. RoHS peak reflow temperature rating 250°C
5. UL Certification: File Number E484635.



X:X	APPD:	LINK-PP INT'L TECHNOLOGY CO., LIMITED		
X:XX ±0.25	CHKD:	TITLE: 5G Base-T Magnetic Modules For PoE+ Application		
X:XXX	DR: SEA	PART NO.: LP72429ANL		
ANGLES ±1°	UNIT: mm	SCALE: 2/1 SHEET: 2/2 REV: A DWG NO.: LP19061518		