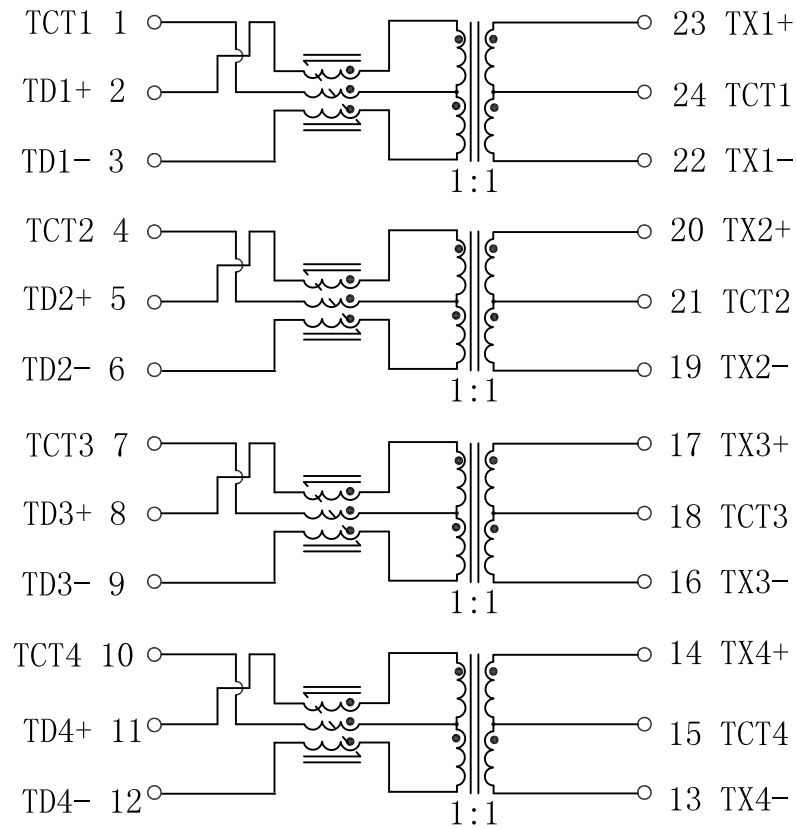


# Schematic:

REV.	ECN NO.	DESCRIPTION	DATE	APPD
A	REL		2018/12/19	



## Electrical Specification @25°C

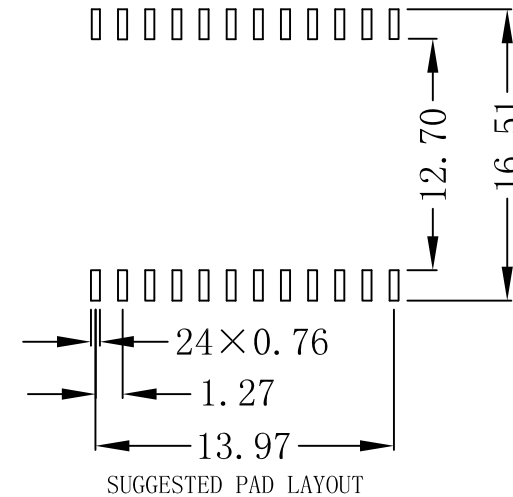
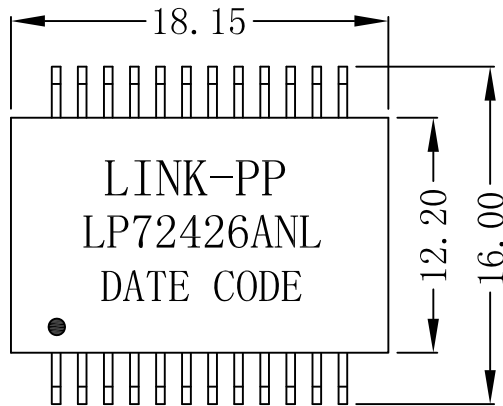
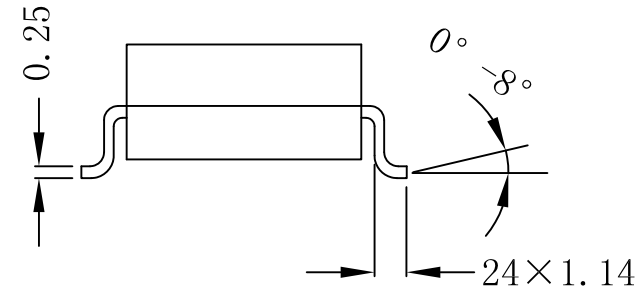
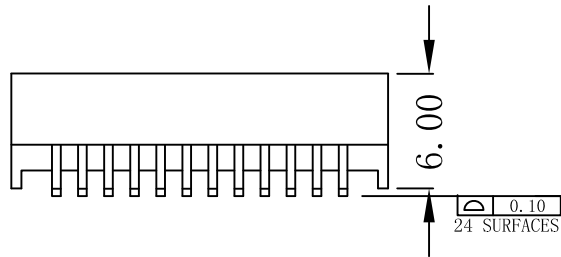
- Turns Ratio:  
Pri : Sec = 1CT : 1CT ±2%
- Inductance (OCL) :  
150uH Min @100KHz, 100mV, 9mA DC Bias
- Insertion Loss (dB Max) :  
1-50MHz: -0.5                      50-125MHz: -1.0
- Return Loss (dB Min @Z OUT = 100 OHMS ±1%) :  
1-40MHz: -20  
40-200MHz: -20+15\*LOG<sup>10</sup>(f/40)
- Crosstalk (dB Min) :  
1-125MHz: -30
- Common Mode Rejection Ratio (dB Min) :  
30-200MHz: -30
- Common to Differential Mode Rejection (dB Min) :  
10-125MHz: -45+f/35
- DC Current/Voltage Rating: 600mA Max @57V (Continuous)
- Hipot: 1500Vrms Min
- Operating Temperature: -40°C ~ +85°C.



X:X	APPD:	LINK-PP INT'L TECHNOLOGY CO., LIMITED		
X:XX ±0.25	CHKD:	TITLE: 2.5GBase-T Magnetic Modules For PoE+ Application		
X:XXX	DR: SEA	PART NO.: LP72426ANL		
ANGLES ±1°	UNIT: mm			
	SCALE: 2/1	SHEET: 1/2	REV: A	DWG NO.: LP18121911

# Mechanical :

REV.	ECN NO.	DESCRIPTION	DATE	APPD
A	REL		2018/12/19	



## NOTES:

1. Designed to Support 2.5G Base-T Transceivers
2. Compliant with IEEE 802.3at standard
3. Qualified with top 2.5Gig PHY Manufacturers
4. RoHS peak reflow temperature rating 250°C
5. Low profile package for PCI Express
6. Fine-tuned magnetics to specific PHY vendors
7. UL Certification: File Number E484635.

Dimensions: mm

Unless otherwise specified, all tolerances are  $\pm 0.25$

X:X	APPD:	LINK-PP INT'L TECHNOLOGY CO., LIMITED		
X:XX	$\pm 0.25$	CHKD:	TITLE: 2.5GBase-T Magnetic Modules For PoE+ Application	
X:XXX		DR: SEA	PART NO.: LP72426ANL	
ANGLES	$\pm 1^\circ$	UNIT: mm		
	SCALE: 2/1	SHEET: 2/2	REV: A	DWG NO.: LP18121911