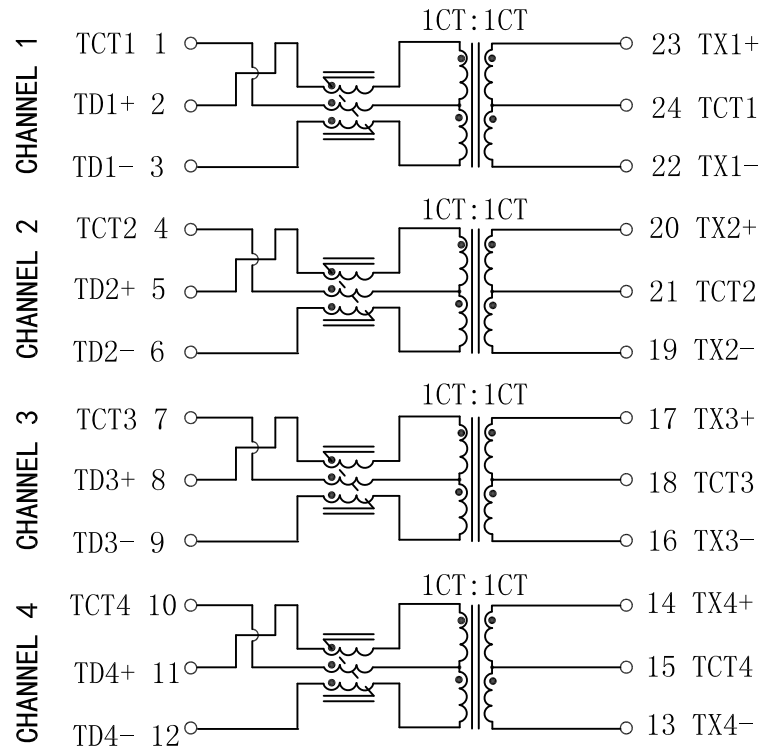


Schematic:

REV.	ECN NO.	DESCRIPTION	DATE	APPD
A	REL		2018-11-16	



Electrical Specification @25°C

1. Turn Ratio:

Pri : Sec = 1CT : 1CT

2. OCL: 200uH MIN @100KHz, 100mV.

3. Insertion Loss (dB or better):
100KHz: -3.0

1-500MHz: -1.0 (-0.6 TYP)

4. Return Loss (dB or better):
1-40MHz: -18

40-500MHz: $-17 + 10 * \text{LOG}(f/40)$

5. Crosstalk (dB or better):
1-100MHz: -40
100-500MHz: -30

6. CDMR (dB or better):
1-250MHz: -30
250-500MHz: -22

7. Hipot: 1500Vrms MIN

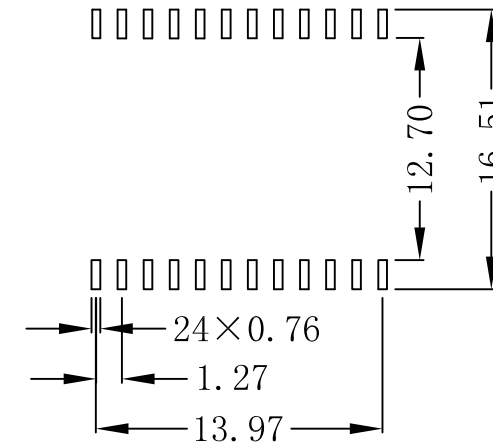
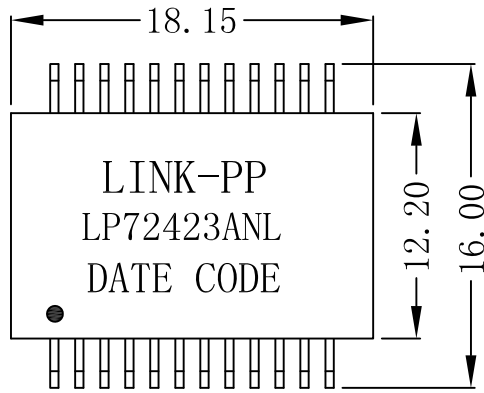
8. Operating Temperature: -40°C ~ +85°C.



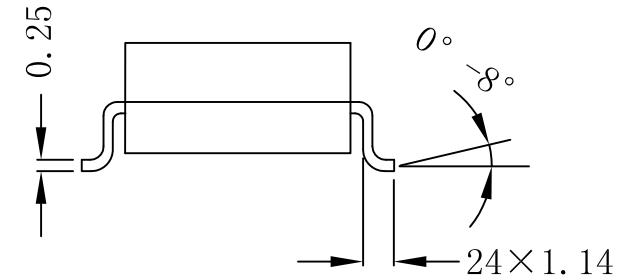
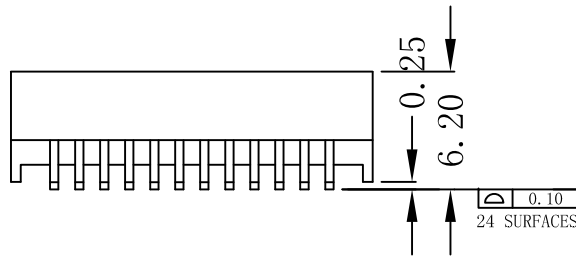
X:X	APPD:	LINK-PP INT'L TECHNOLOGY CO., LIMITED	
X:XX ±0.25	CHKD:	TITLE: 10G Base-T Magnetic Modules	
X:XXX	DR: TOM	PART NO.: LP72423ANL	
ANGLES ±1°	UNIT: mm		
	SCALE: 2/1	SHEET: 1/2	REV: A DWG NO.: LP18111610

Mechanical:

REV.	ECN NO.	DESCRIPTION	DATE	APPD
A	REL		2018-11-16	



SUGGESTED PAD LAYOUT



NOTES:

1. Designed to Support 10GBase-T Transceivers
2. Compliant with IEEE 802.3 standard
3. Qualified with top 10Gig PHY Manufacturers
4. RoHS peak reflow temperature rating 250°C
5. Low profile package for PCI Express
6. Fine-tuned magnetics to specific PHY vendors
7. UL Certification: File Number E484635.



X:X	APPD:	LINK-PP INT'L TECHNOLOGY CO., LIMITED
X:XX ±0.25	CHKD:	
X:XXX	DR: TOM	TITLE: 10G Base-T Magnetic Modules
ANGLES ±1°	UNIT: mm	PART NO.: LP72423ANL
	SCALE: 2/1	SHEET: 2/2
	REV: A	DWG NO.: LP18111610