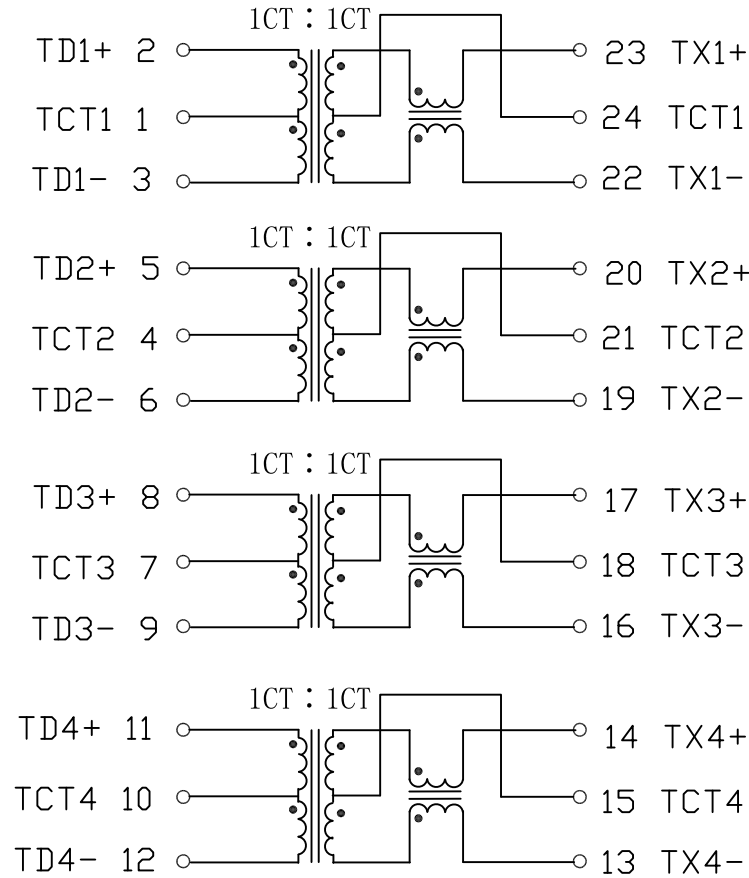


Schematic:

REV.	ECN NO.	DESCRIPTION	DATE	APPD
A	REL		2018-08-25	



Electrical Specification @25°C

- Turns Ratio:
Pri : Sec = 1CT : 1CT ±2%
- Inductance (OCL):
140uH Min @100KHz, 100mV
- Insertion Loss (dB Max):

0.3-100MHz: -1.1	100-200MHz: -2.0
200-400MHz: -3.0	400-500MHz: -4.0
- Return Loss (dB Min):

1-40MHz: -16	40-100MHz: -10
200-400MHz: -7	400-500MHz: -5
- Crosstalk (dB Min):

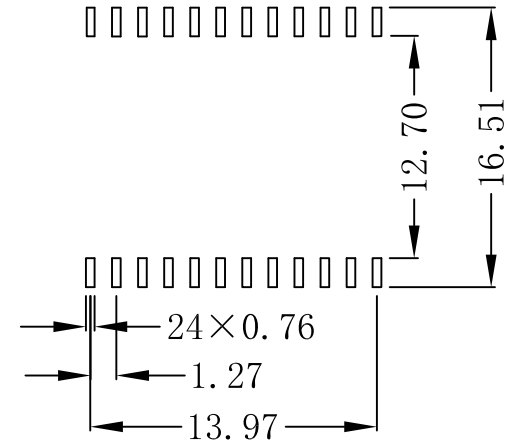
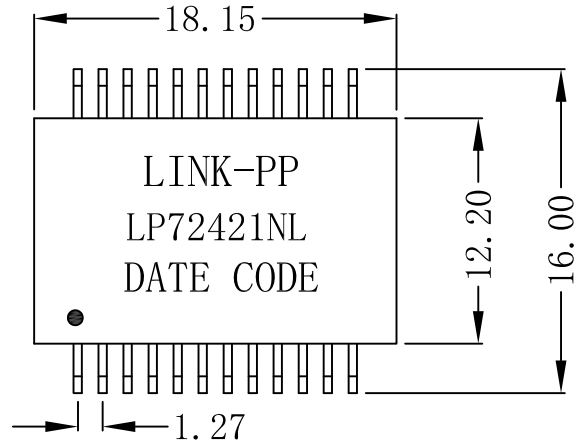
1-30MHz: -30	100-500MHz: -16
--------------	-----------------
- Hipot: 1500Vrms MIN
- Operating Temperature: 0°C ~ 70°C.



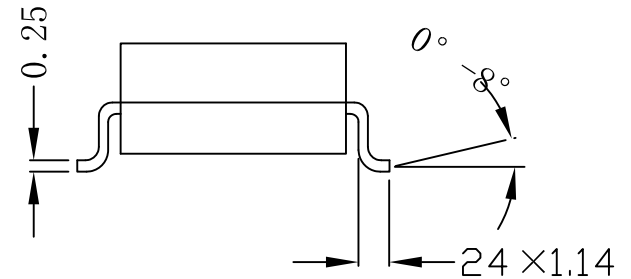
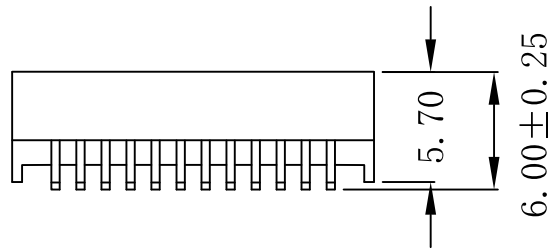
X:X	APPD:	LINK-PP INT'L TECHNOLOGY CO., LIMITED		
X:XX ±0.25	CHKD:	TITLE: 5G Base-T Magnetic Modules		
X:XXX	DR: TOM	PART NO.: LP72421NL		
ANGLES ±1°	UNIT: mm			
	SCALE: 2/1	SHEET: 1/2	REV: A	DWG NO.: LP18082511

Mechanical:

REV.	ECN NO.	DESCRIPTION	DATE	APPD
A	REL		2018-08-25	



SUGGESTED PAD LAYOUT



NOTES:

1. Designed to Support 5G Base-T Transceivers
2. Compliant with IEEE 802.3 standard
3. RoHS peak reflow temperature rating 250°C
4. UL Certification: File Number E484635.



X:X	APPD:	LINK-PP INT'L TECHNOLOGY CO., LIMITED		
X:XX ±0.25	CHKD:	TITLE: 5G Base-T Magnetic Modules		
X:XXX	DR: TOM	PART NO.: LP72421NL		
ANGLES ±1°	UNIT: mm			
	SCALE: 2/1	SHEET: 2/2	REV: A	DWG NO.: LP18082511