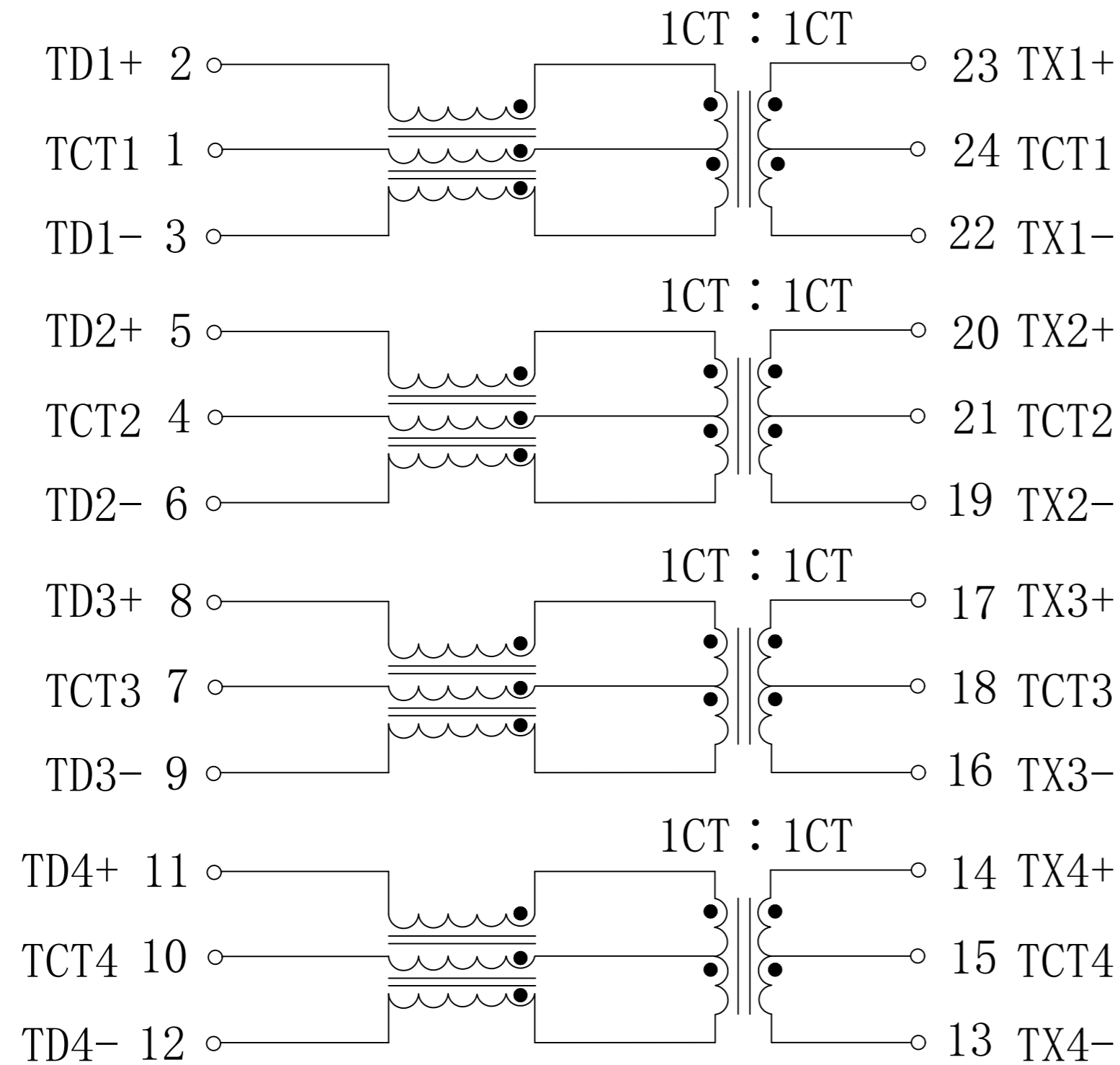


Schematic:

REV.	ECN NO.	DESCRIPTION	DATE	APPD
B	REL		2022-04-21	



ELECTRICAL SPECIFICATIONS @25°C

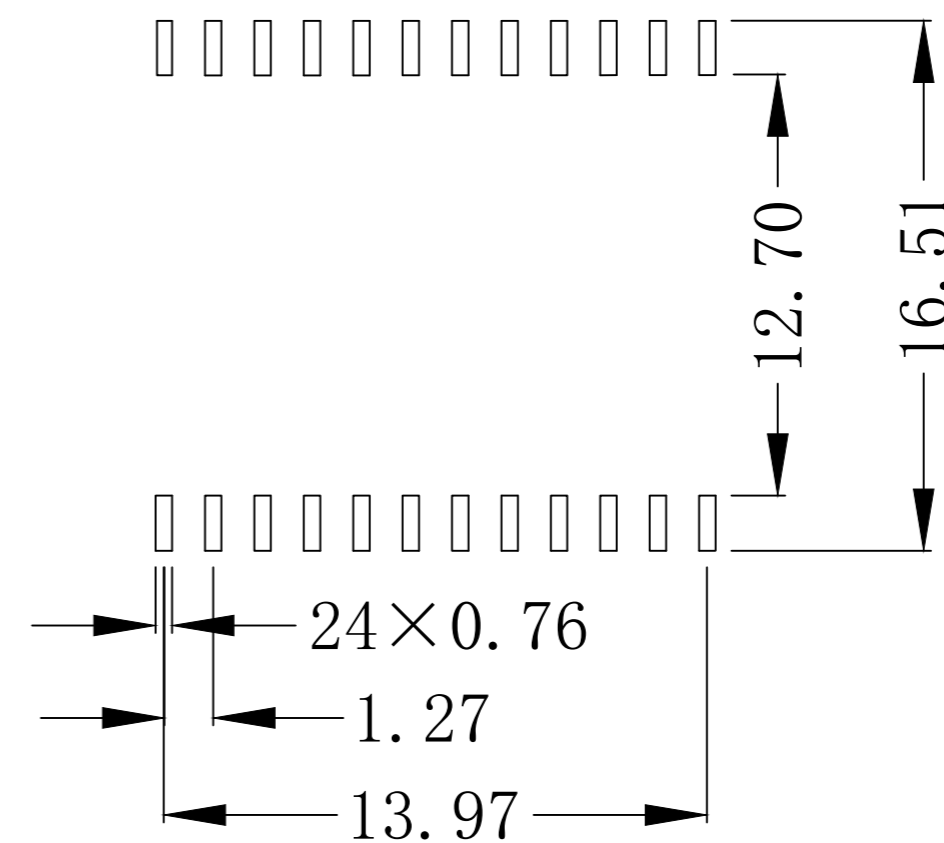
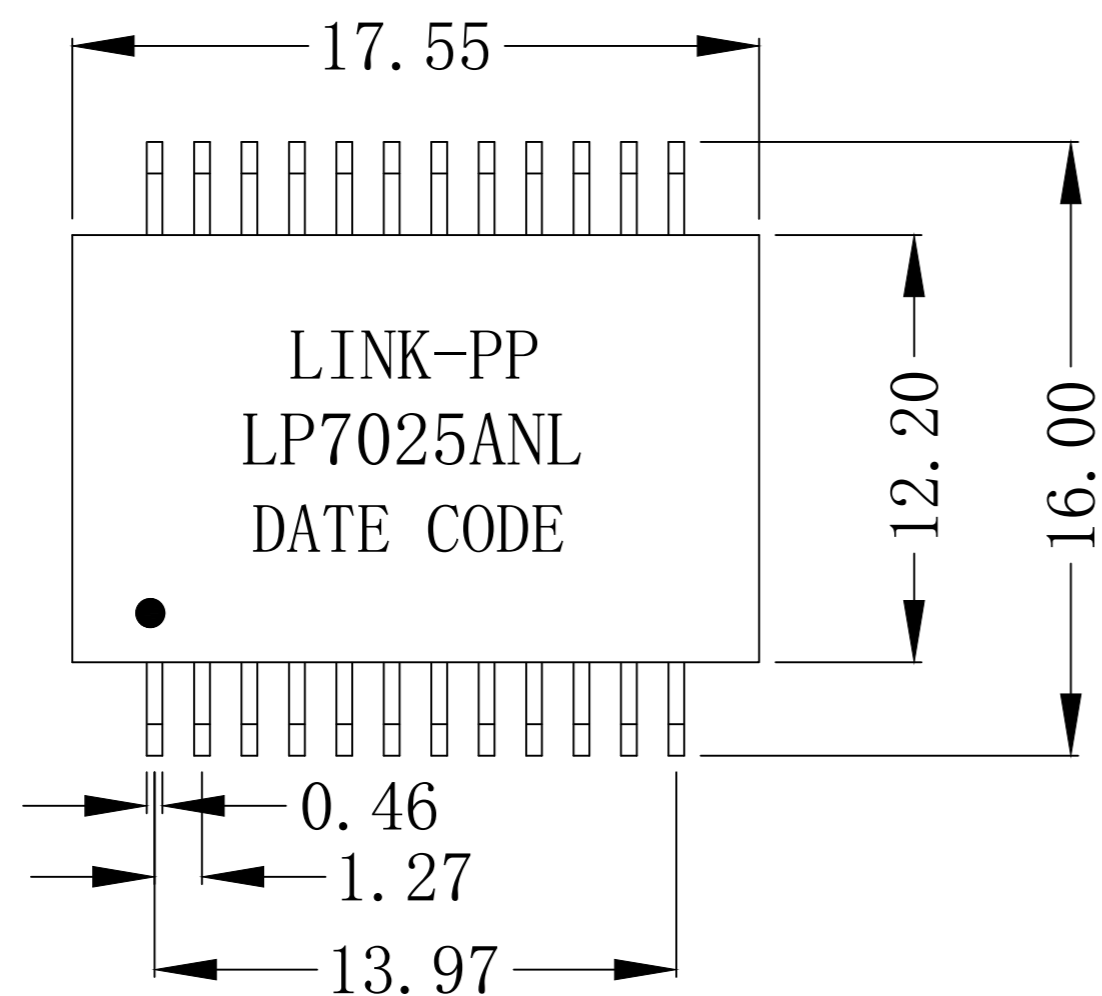
- Turn Ratio ($\pm 2\%$):
Pri : Sec = 1CT : 1CT
- Inductance OCL:
180uH Min @100KHz, 0.1V With 15mA DC Bias.
- Insertion Loss (dB Max):
1~50MHz: -0.5 50~125MHz: -1.0
125~200MHz: -2.0
- Return Loss (dB Min):
1~30MHz: -16 30~100MHz: -12
100~200MHz: -10
- Cross talk (dB Min):
1~125MHz: -28 125~200MHz: -25
- Common Mode Rejection Ratio (dB Min):
1~200MHz: -30
- Hipot Test: 1500Vrms Min
- Operating Temperature: -40°C ~ +85°C.



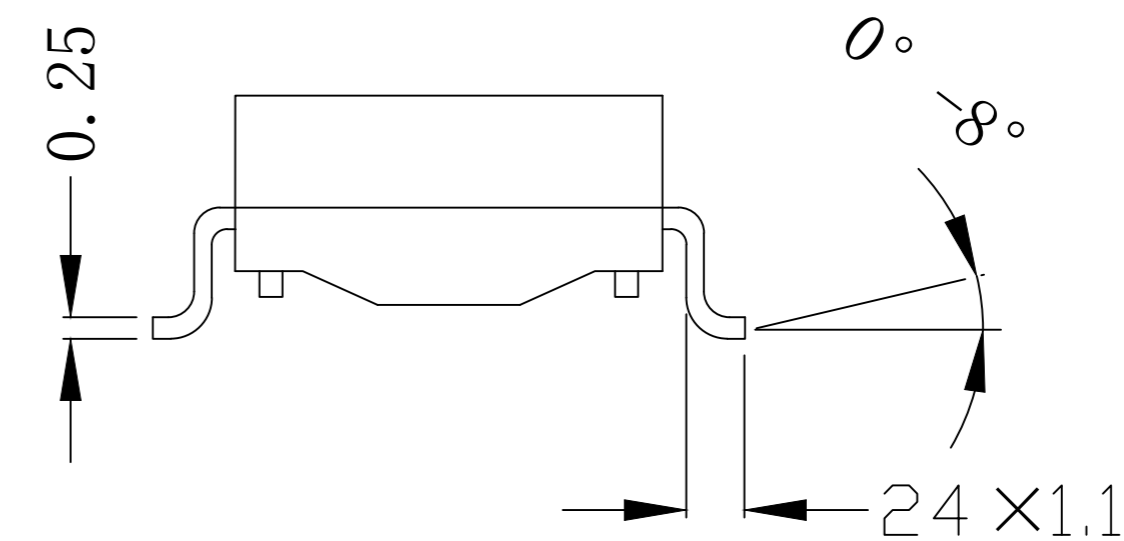
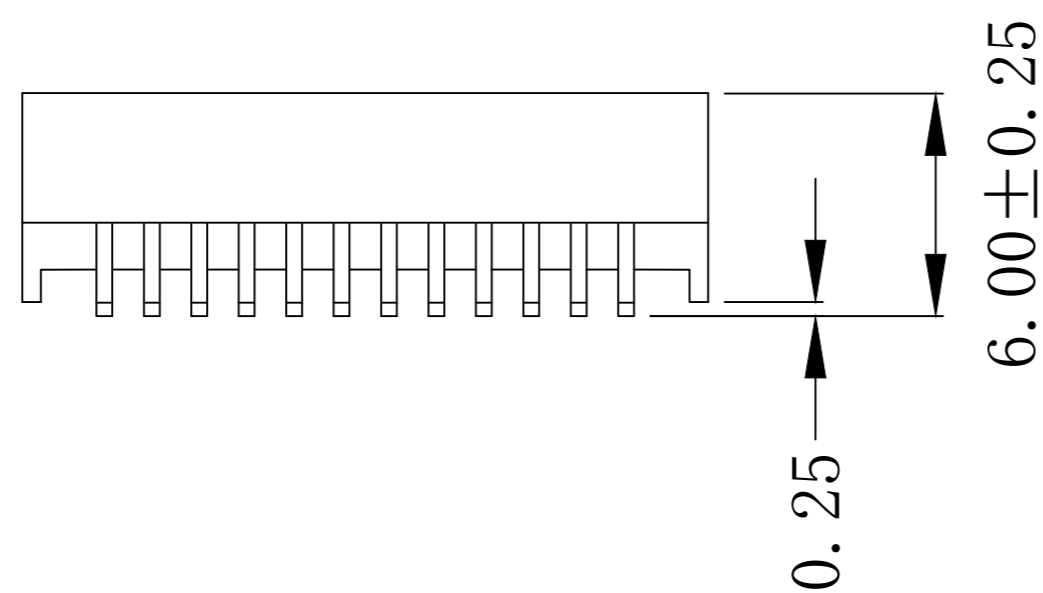
X:X	APPD: TOM	LINK-PP INT'L TECHNOLOGY CO., LIMITED
X:XX ±0.25	CHKD: JAMES	
X:XXX	DR: LEO	TITLE: 2.5G Base-T Magnetic Modules For PoE+ Application
ANGLES ±1°	UNIT: mm	PART NO.: LP7025ANL
	SCALE: 2/1	SHEET: 1/2
	REV: A	DWG NO.: LP22042105

Mechanical:

REV.	ECN NO.	DESCRIPTION	DATE	APPD
B	REL		2022-04-21	



SUGGESTED PAD LAYOUT



NOTES:

- PoE+ Enabled Transformer 2.5Giga Base-T Single Port Surface Mount Magnetics.
- Compliant with IEEE 802.3at standard
- RoHS peak reflow temperature rating 250°C
- UL Certification: File Number E484635.



X:X	APPD: TOM	LINK-PP INT'L TECHNOLOGY CO., LIMITED
X:XX ±0.25	CHKD: JAMES	
X:XXX	DR: LEO	TITLE: 2.5G Base-T Magnetic Modules For PoE+ Application
ANGLES ±1°	UNIT: mm	PART NO.: LP7025ANL
	SCALE: 2/1	SHEET: 2/2
	REV: A	DWG NO.: LP22042105