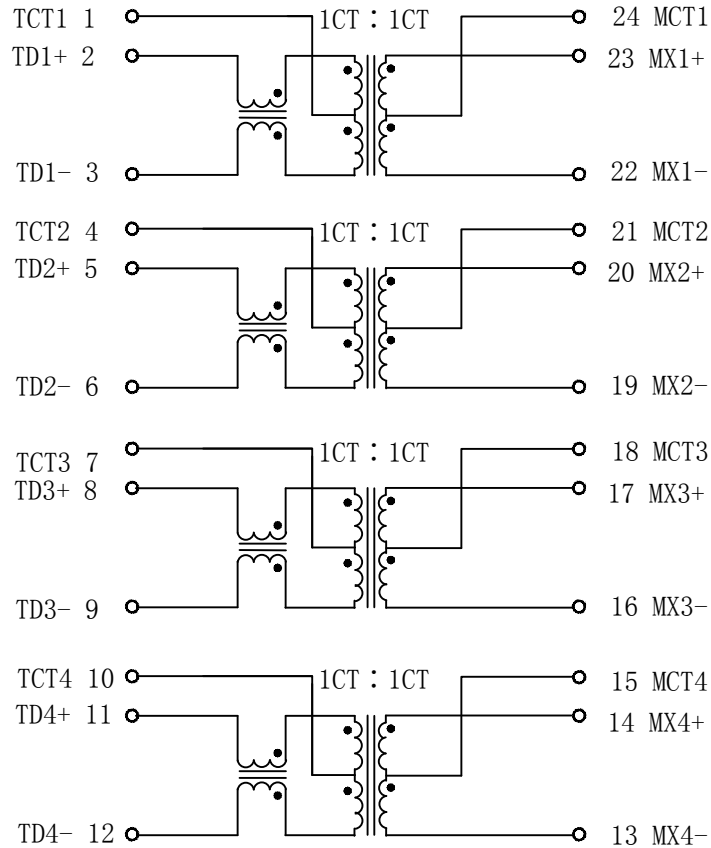


Schematic:

REV.	ECN NO.	DESCRIPTION	DATE	APPD
A	REL		2019/08/21	



Electrical Specifications @25°C

1. Turns Ratio:

1CT : 1CT ±5%

2. OCL: 120uH Min @100KHz, 100mV

3. Insertion Loss:

100KHz: -3.0dB Max 1-100MHz: -1.0dB MAX

100-400MHz: -3.0dB Max. 500MHz: -1.8dB (typ.)

4. Return Loss (dB MIN @100 Ω):

1-100MHz: -22 100-500MHz: -22+20*LOG(f/100)

5. Crosstalk (dB MIN):

1-100MHz: -28 100-500MHz: -19

6. CDMR (dB MIN):

1-250MHz: -30 250-500MHz: -22

7. Hipot: 1500Vrms 1 min

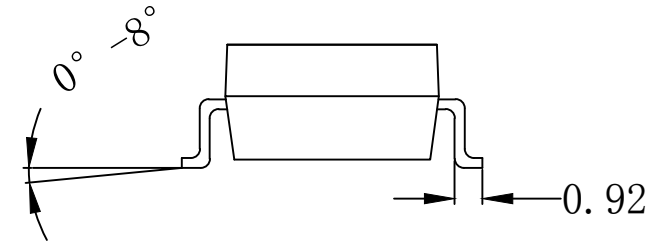
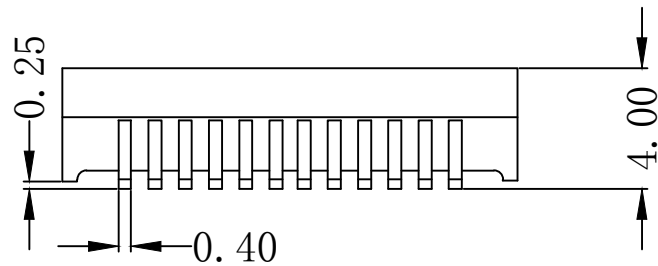
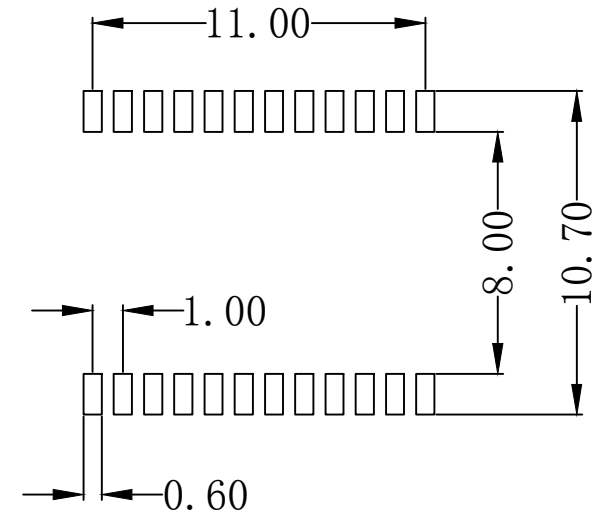
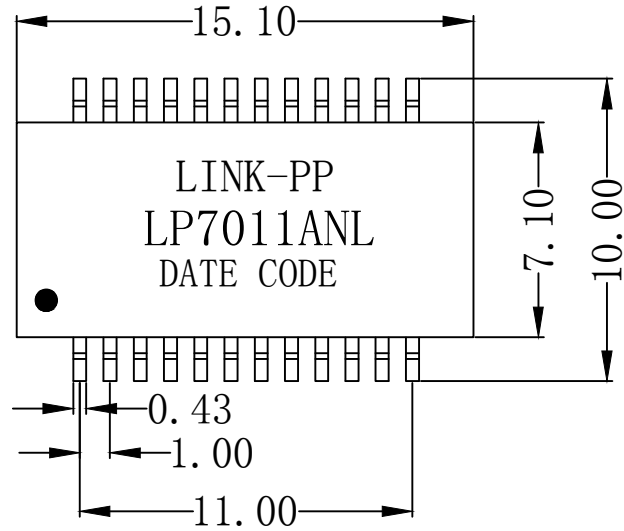
8. Operating Temperature: -40°C ~ +85°C



X:X	±0.30	APPD:	LINK-PP INT'L TECHNOLOGY CO., LIMITED	
X:XX	±0.25	CHKD:	TITLE: 10G Base-T Magnetics Modules For PoE Application	
X:XXX	±0.05	DR: James	PART NO.: LP7011ANL	
ANGLES	±1°	UNIT: mm	DWG NO.: LP19082102	
	SCALE: 2/1	SHEET: 1/2	REV: A	

Mechanical:

REV.	ECN NO.	DESCRIPTION	DATE	APPD
A	REL		2019/08/21	



NOTES:

1. Designed for 10 gigabit transceivers
2. IEEE 802.3af/ANSI ×3.263 compliant performance.
3. 350mA current capability.
4. Maximum reflow temperature is 250°C, 5 Sec.
5. Magnetics, designed for 10 gigabit phy used in backplane
6. For RoHS part add suffix NL
7. UL Certification: File Number E484635.

X:X	±0.30	APPD:	LINK-PP INT'L TECHNOLOGY CO., LIMITED
X:XX	±0.25	CHKD:	
X:XXX	±0.05	DR: James	TITLE: 10G Base-T Magnetics Modules For PoE Application
ANGLES	±1°	UNIT: mm	PART NO.: LP7011ANL
	SCALE: 2/1	SHEET: 2/2	REV: A
			DWG NO.: LP19082102