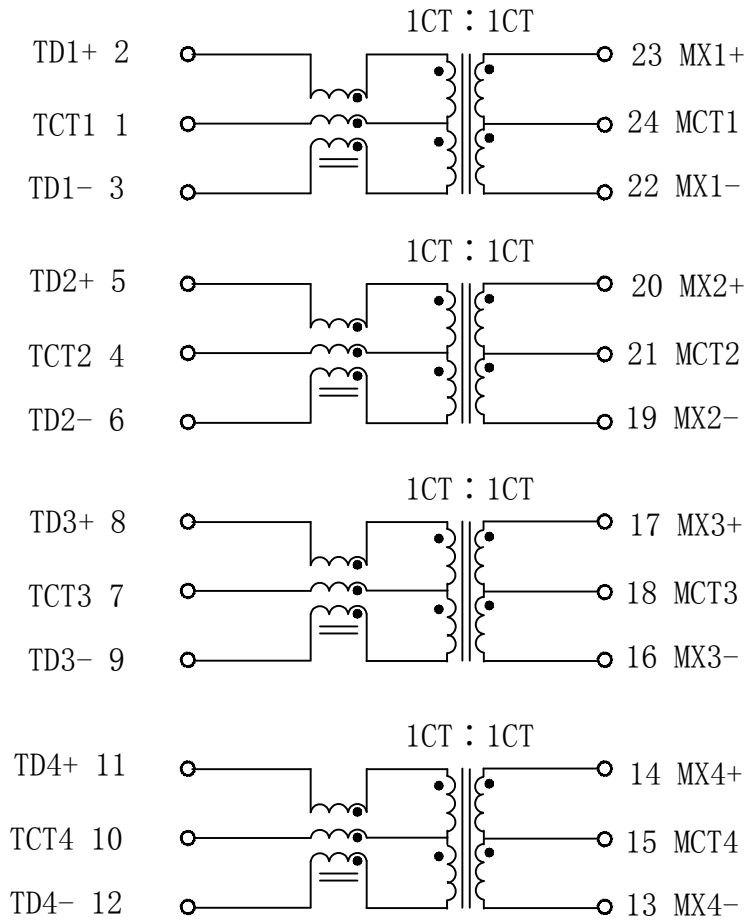


Schematic:

REV.	ECN NO.	DESCRIPTION	DATE	APPD
A	REL		2017/04/21	



Electrical Specifications @25°C

- Turns Ratio: 1CT:1CT $\pm 3\%$
- Inductance OCL: 160uH Min @100KHz, 0.1V, 8mA DC BIAS
- Insertion Loss (dB Max):

1-50MHz: -0.5	50-125MHz: -1.0
125-200MHz: -2.0	200-250MHz: -2.5
- Return Loss (dB Min):

1-50MHz: -20
50-250MHz: $-20 + 15 \text{LOG}(f/40)$
- Crosstalk (dB Min):

1-125MHz: -30	125-250MHz: -25
---------------	-----------------
- DCMR (dB Min):

30-250MHz: -25

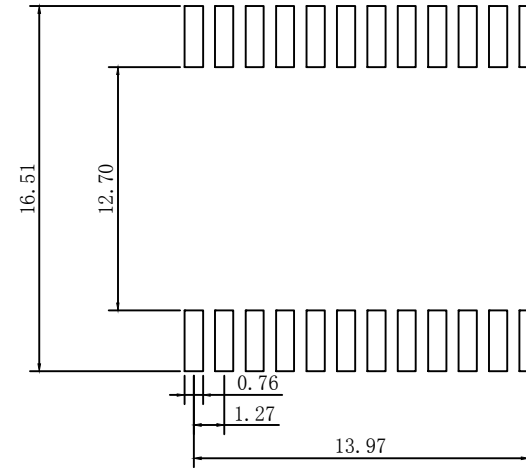
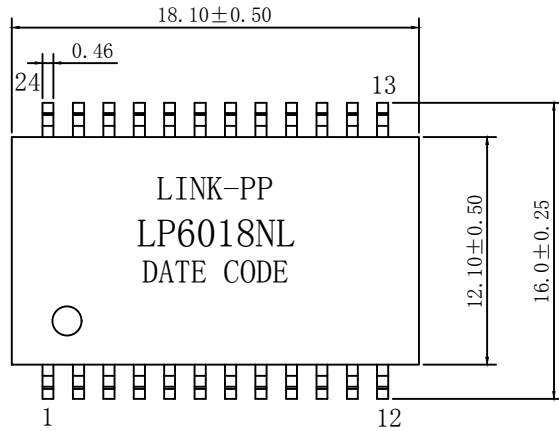
- Isolation: 1500VAC 1mA 60S
- Operating Temperature: 0°C ~ 70°C



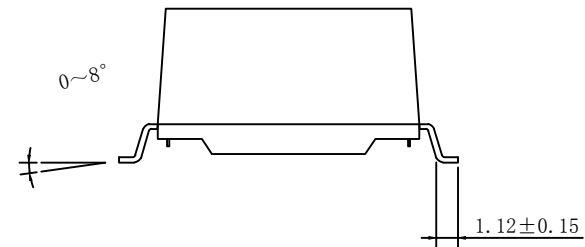
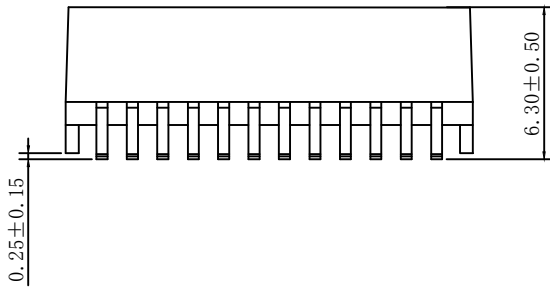
X:X	APPD:	LINK-PP INT'L TECHNOLOGY CO., LIMITED
X:XX	CHKD:	
X:XXX	DR: James	TITLE: 5GBase-T PC Card SMD Magnetic Modules For POE+ Application
ANGLES $\pm 1^\circ$	UNIT: mm	PART NO.: LP6018NL
	SCALE: 2/1	SHEET: 1/2
	REV: A	DWG NO.: LP17042108

Mechanical:

REV.	ECN NO.	DESCRIPTION	DATE	APPD
A	REL		2017/04/21	



SUGGESTED PAD LAYOUT



NOTES:

- 1.5GBase-T PC Card SMD Magnetic Modules
2. IEEE 802.3az compliant performance
---4Pair POE 60W
3. Lead-Free & Designed to meet RoHS requirement
4. Maximum reflow temperature is 250°C , 5 Sec.
5. UL Certification: File Number E484635.



Dimensions: mm

Unless otherwise specified, all tolerances are ± 0.50

X:X	APPD:	LINK-PP INT'L TECHNOLOGY CO., LIMITED		
X:XX	CHKD:	TITLE: 5GBase-T PC Card SMD Magnetic Modules For POE+ Application		
X:XXX	DR: James	PART NO.: LP6018NL		
ANGLES $\pm 1^\circ$	UNIT: mm			
	SCALE: 2/1	SHEET: 2/2	REV: A	DWG NO.: LP17042108