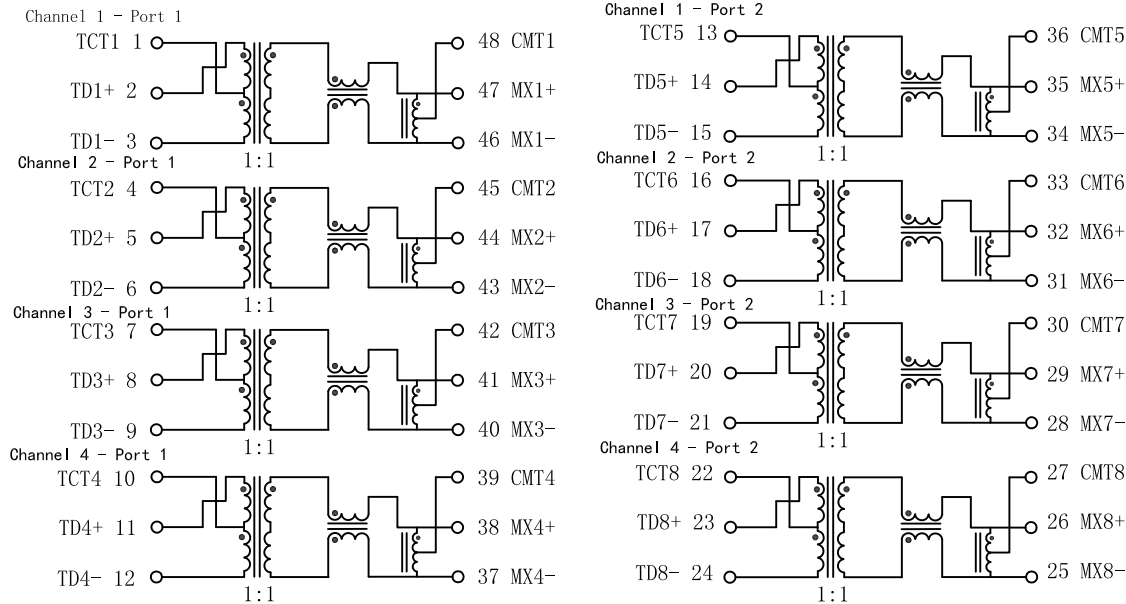


# Schematic:

REV.	ECN NO.	DESCRIPTION	DATE	APPD
A	REL		2010/06/02	



## Electrical Specification @25°C

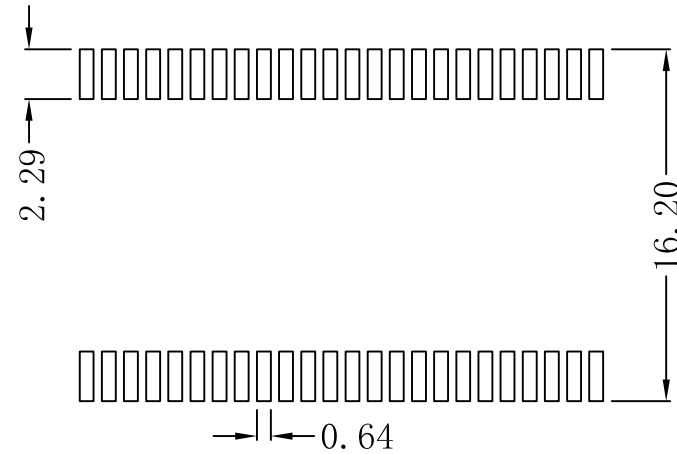
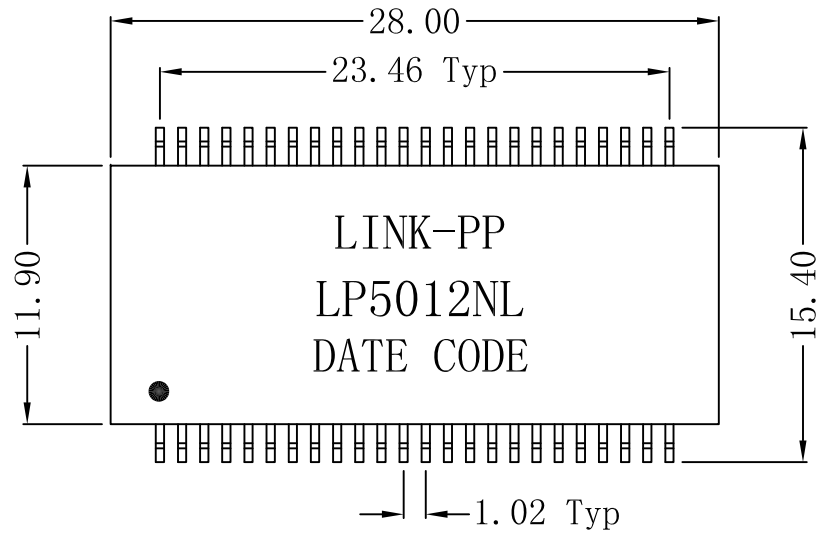
- Turns Ratio: 1CT : 1
- OCL: 350uH Min  
@100KHz, 100mV, 8mADC Bias.
- Insertion Loss:  
1-100MHz: -1.4dB MAX
- Return Loss (dB MIN):  
1-30MHz: -16                      40MHz: -14.4  
50MHz: -13.1                      60-80MHz: -12  
100MHz: -10
- Crosstalk (dB MIN):  
30MHz: -43.5                      60MHz: -37.5  
100MHz: -33
- DCMR (dB MIN):  
30MHz: -45                              60MHz: -40  
100MHz: -35
- Isolation Voltage: 1500Vrms
- Operating Temperature: 0°C ~ 70°C



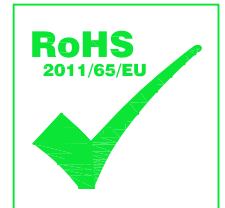
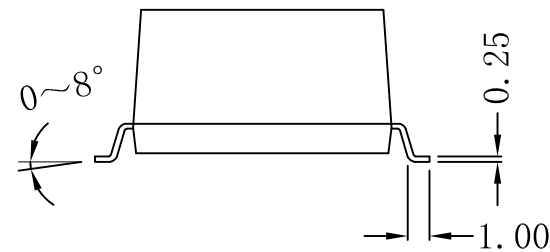
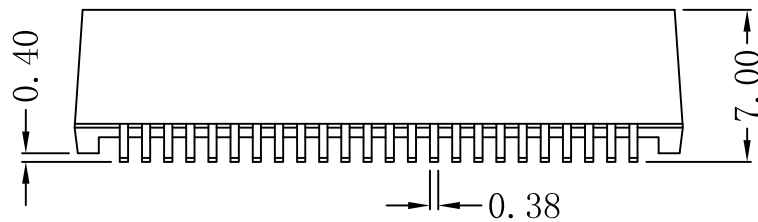
X:X	±0.30	APPD:	LINK-PP INT'L TECHNOLOGY CO., LIMITED	
X:XX	±0.25	CHKD:	TITLE: 1000Base-T Magnetic Modules	
X:XXX	±0.05	DR: TOM	PART NO.: LP5012NL	
ANGLES	±1°	UNIT: mm		
	SCALE: 2/1	SHEET: 2/2	REV: A	DWG NO.: LP10060204

**Mechanical:**

REV.	ECN NO.	DESCRIPTION	DATE	APPD
A	REL		2010/06/02	



SUGGESTED PAD LAYOUT



Dimensions: mm

Unless otherwise specified, all tolerances are  $\pm 0.25$

NOTES:

1. Designed to support application, such as SOHO (ADSL modems), LAN-on-Motherboard (LOM), hub and Switches.
2. With various Turns Ratios.
3. 350uH min OCL with 8mA bias current.
4. RoHS "NL" peak solder rating 250°C.

X:X	$\pm 0.30$	APPD:	LINK-PP INT'L TECHNOLOGY CO., LIMITED	
X:XX	$\pm 0.25$	CHKD:	TITLE:	
X:XXX	$\pm 0.05$	DR: TOM	1000Base-T Magnetic Modules	
ANGLES	$\pm 1^\circ$	UNIT: mm	PART NO.: LP5012NL	
	SCALE: 2/1	SHEET: 1/2	REV: A	DWG NO.: LP10060204