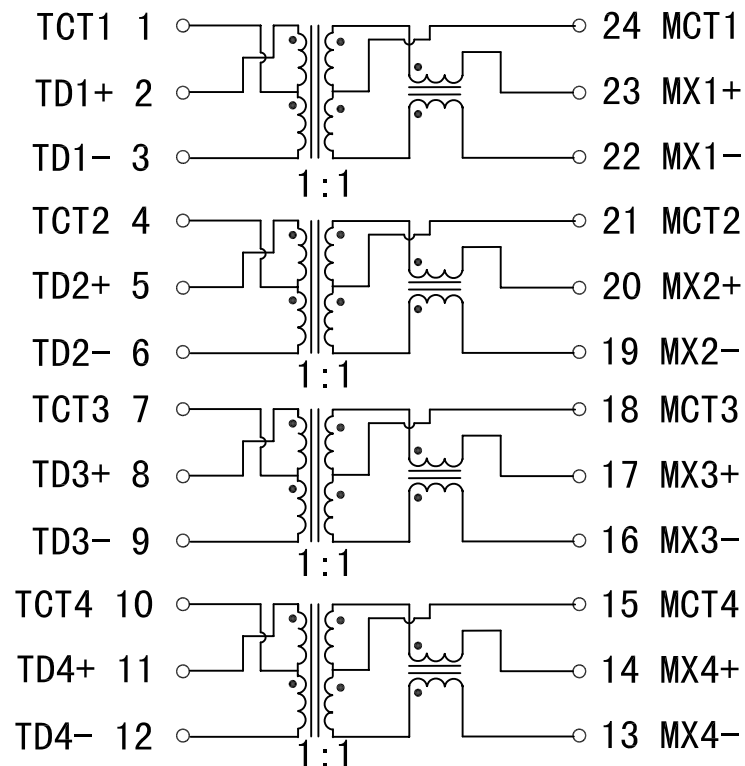


Schematic:

REV.	ECN NO.	DESCRIPTION	DATE	APPD
A	REL		28/07/2007	



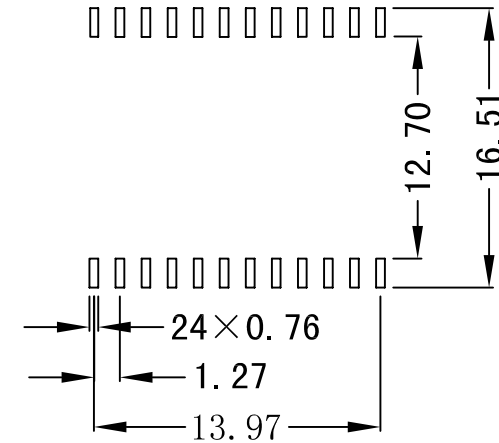
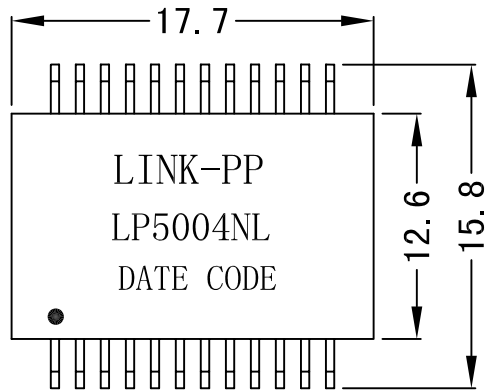
Electrical Specifications @25°C

- Insertion Loss:
1-100MHz:-1.0dB MAX
- Return Loss(dB MIN @100Ω):
1-30MHz:-18 40MHz:-18
50MHz:-16 60-80MHz:-12
100MHz:-10
- Crosstalk(dB MIN):
30MHz:-45 60MHz:-40
100MHz:-35
- DCMR(dB MIN):
30MHz:-43 60MHz:-37
100MHz:-33
- Hipot: 1500Vrms MIN
- Operating Temperature: -40°C ~+85°C

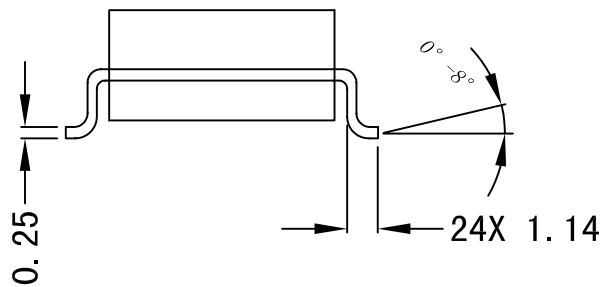
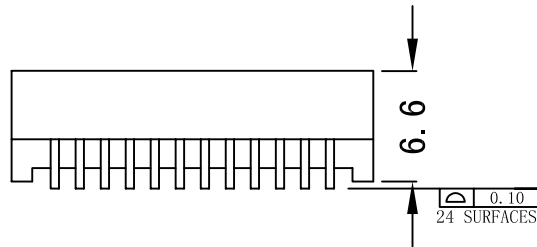
X:X	±0.20	APPD:	LINK-PP INT'L TECHNOLOGY CO., LIMITED	
X:XX	±0.10	CHKD:	<i>Title:</i> 1000Base-T Magnetic Modules	
X:XXX	±0.05	DR: TOM		
ANGLES	±1°	UNIT: mm	PART NO.: LP5004NL	
	SCALE: 2/1	SHEET: 1/2	REV: A	DWG NO.:

Mechanical :

REV.	ECN NO.	DESCRIPTION	DATE	APPD
A	REL		28/07/2007	



SUGGESTED PAD LAYOUT



NOTES:

1. Designed to support 1:1 Turns Ratio Transceivers
2. Compliant with IEEE 802.3ab standard for 1000 Base-T.
3. 350uH min OCL with 8mA bias current.
4. RoHS "NL" peak solder rating 260°C ±5°C.
5. UL Certification: File Number E484635.

X:X	±0.20	APPD:	LINK-PP INT'L TECHNOLOGY CO., LIMITED	
X:XX	±0.10	CHKD:	Title: 1000Base-T Magnetic Modules	
X:XXX	±0.05	DR: TOM	PART NO.: LP5004NL	
ANGLES	±1°	UNIT: mm		
	SCALE: 2/1	SHEET: 2/2	REV: A	DWG NO.: