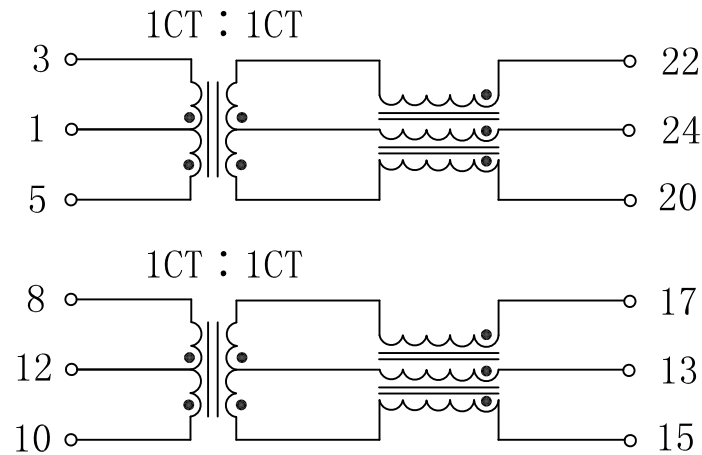


Schematic:

REV.	ECN NO.	DESCRIPTION	DATE	APPD
A	REL		2021-02-03	



ELECTRICAL SPECIFICATIONS @25°C

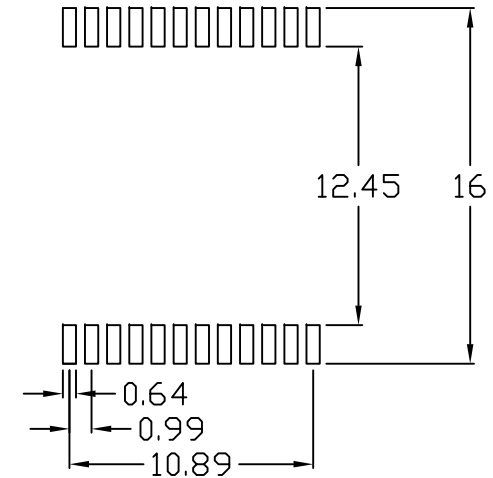
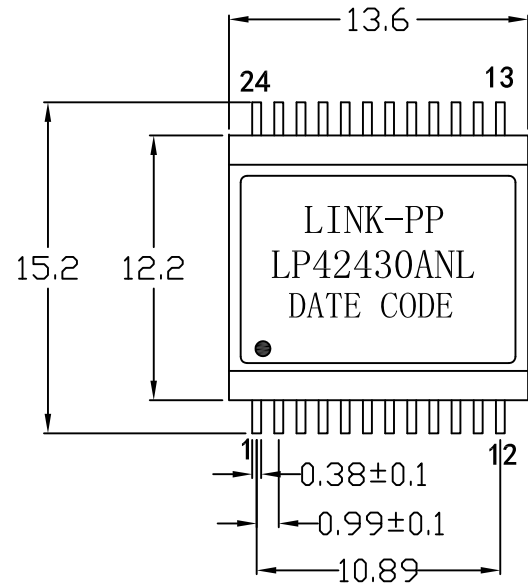
- Turn Ratio($\pm 2\%$):
TX=1CT : 1CT RX=1CT : 1CT
- Inductance OCL:
350uH MIN @100KHz 0.1V 8mA DC Bias
- Leakage primary:
0.35uH MAX @100KHz, 0.1Vrms
- DCR:
Primary: 0.9 Ω MAX Sec: 1.4 Ω MAX
- Cww:
35pF MAX @100KHz/1V
- Insertion Loss:
-1.0dB MAX @0.3-80KHz
-1.4dB MAX @100MHz
-3.0dB MAX @125MHz
- Return Loss:
-18dB MIN @0.5-15MHz
-14dB MIN @30-45MHz
-10dB MIN @45-60MHz
-6dB MIN @60-80MHz
- Cross talk:
-40dB MIN @1MHz
-55-24log(f/10MHz)dB MIN @30-100MHz
- DCMR:
-50dB MIN @2MHz
-43+22log(f/30)dB MIN @30-100MHz
- Hipot Test: 5000Vrms
- Operating Temperature Range: -40°C ~ +85°C.



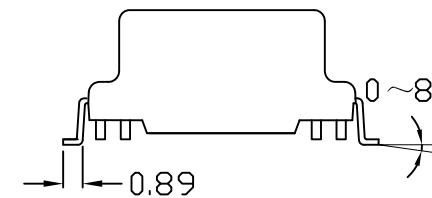
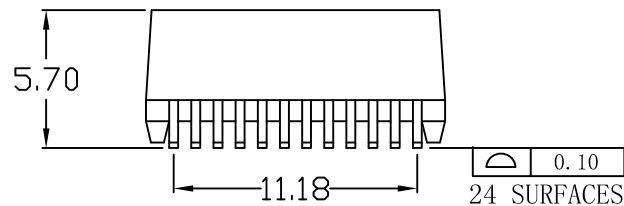
X:X	APPD:	LINK-PP INT'L TECHNOLOGY CO., LIMITED		
X:XX ± 0.25	CHKD:	TITLE: 10/100Base-TX Transformer Modules		
X:XXX	DR: TOM	PART NO.: LP42430ANL		
ANGLES $\pm 1^\circ$	UNIT: mm	SCALE: 2/1	SHEET: 1/2	REV: A DWG NO.: LP21020301

Mechanical:

REV.	ECN NO.	DESCRIPTION	DATE	APPD
A	REL		2021-02-03	



SUGGESTED PAD LAYOUT



NOTES:

1. Designed to support application, such as SOHO (ADSL modems), LAN-on-Motherboard (LOM), hub and Switches.
2. Meets IEEE 802.3 specification.
3. Maximum reflow temperature is 250°C, 5 Sec.
4. UL Certification: File Number E484635.



X:X	APPD:	LINK-PP INT'L TECHNOLOGY CO., LIMITED		
X:XX	±0.25	CHKD:	TITLE: 10/100Base-TX Transformer Modules	
X:XXX		DR: TOM	PART NO.: LP42430ANL	
ANGLES	±1°	UNIT: mm	DWG NO.: LP21020301	
	SCALE: 2/1	SHEET: 2/2	REV: A	DWG NO.: LP21020301