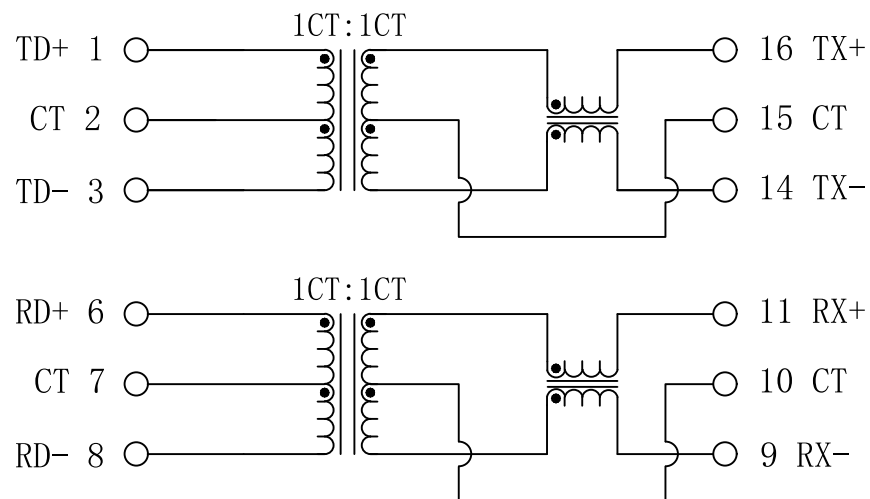


Schematic:

REV.	ECN NO.	DESCRIPTION	DATE	APPD
B	REL		2018/03/14	



Electrical Specifications @25°C

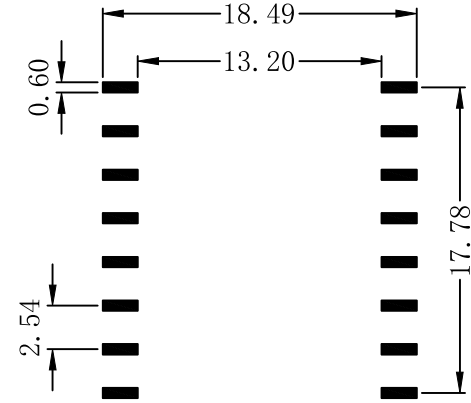
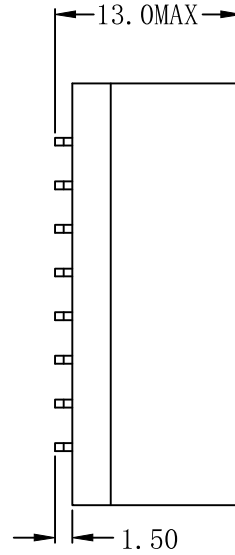
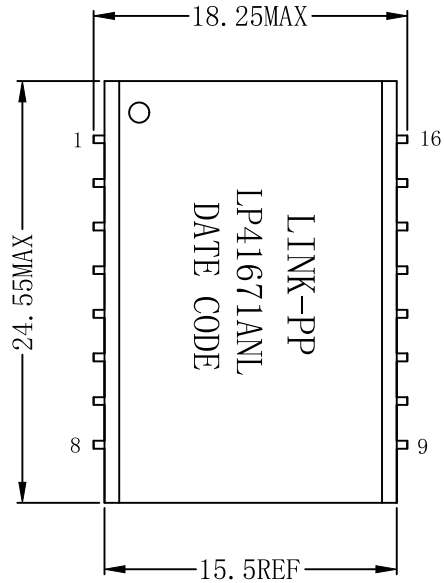
- Turns Ratio ($\pm 2\%$):
 (1-2) : (16-14) = 1CT:1CT
 (6-8) : (11-9) = 1CT:1CT
- Inductance OCL: 350uH MIN
 @100KHz, 0.1VAC, 8mADC
- Isolation Voltage (Pri: Sec) : 6000Vrms, 1minute, 1mA
 7200Vrms, 1second
- Insertion Loss:
 500K-100MHz: -1.4dB MAX
- Return Loss:
 500K-30MHz: -12dB MIN 30-45MHz: -10dB MIN
 45-60MHz: -9dB MIN 60-80MHz: -8dB MIN
- Cross Talk:
 1-100MHz: -40dB MIN
- CMRR:
 1-100MHz: -33dB MIN
- Operating Temperature: -40°C ~ +85°C.



X:X	APPD:	LINK-PP INT'L TECHNOLOGY CO., LIMITED		
X:XX ±0.25	CHKD:	TITLE: 10/100Base-T Single Port SMT Isolation Transformer		
X:XXX	DR: James	PART NO.: LP41671ANL		
ANGLES ±1°	UNIT: mm			
	SCALE: 2/1	SHEET: 1/2	REV: A	DWG NO.: LP180314002

Mechanical:

REV.	ECN NO.	DESCRIPTION	DATE	APPD
B	REL		2018/03/14	



SUGGESTED PCB LAYOUT



NOTES:

1. Designed to support application, such as SOHO (ADSL modems), LAN-on-Motherboard (LOM), hub and Switches.
2. Designed to meet IEEE802.3.
3. Maximum reflow temperature is 245°C, 5 Sec.
4. UL Certification: File Number E484635.

Dimensions: mm

Unless otherwise specified, all tolerances are ± 0.25

X:X	APPD:	LINK-PP INT'L TECHNOLOGY CO., LIMITED		
X:XX ± 0.25	CHKD:	TITLE: 10/100Base-T Single Port SMT Isolation Transformer		
X:XXX	DR: James	PART NO.: LP41671ANL		
ANGLES $\pm 1^\circ$	UNIT: mm	DWG NO.: LP180314002		
	SCALE: 2/1	SHEET: 2/2	REV: A	