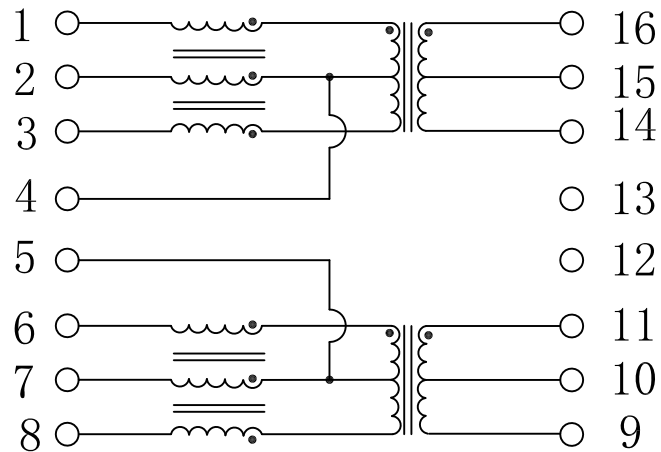


# Schematic:

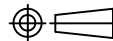
REV.	ECN NO.	DESCRIPTION	DATE	APPD
A	REL		2016/02/25	



## Electrical Specifications @25°C

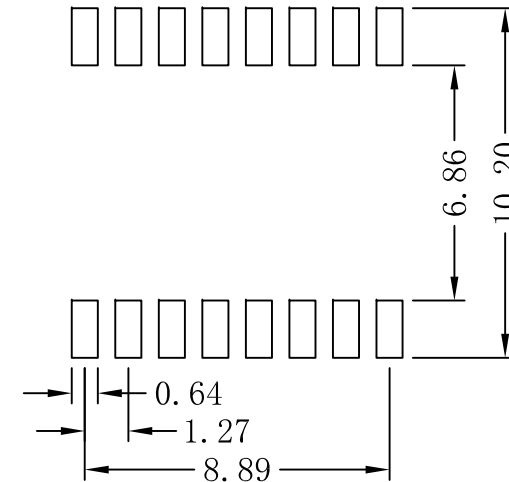
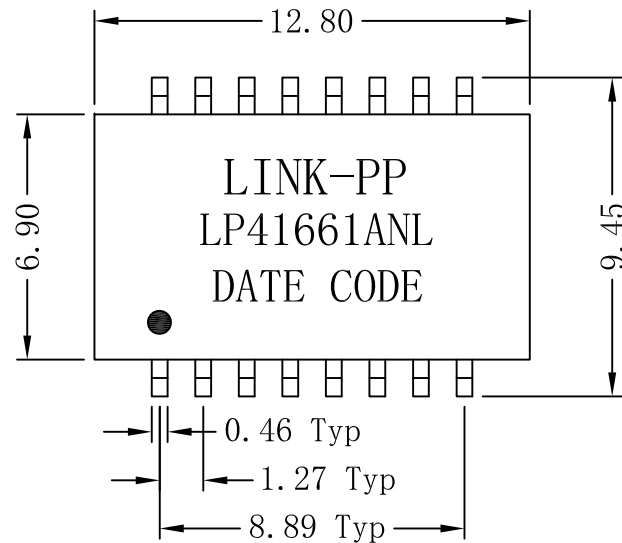
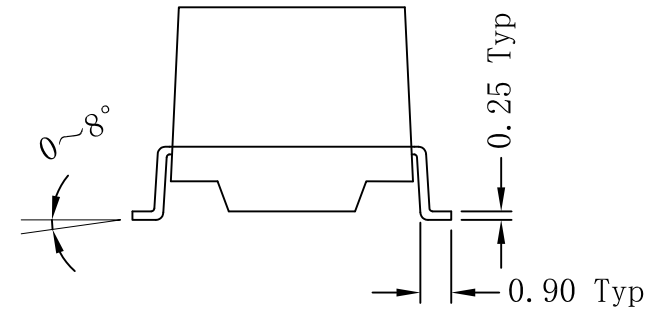
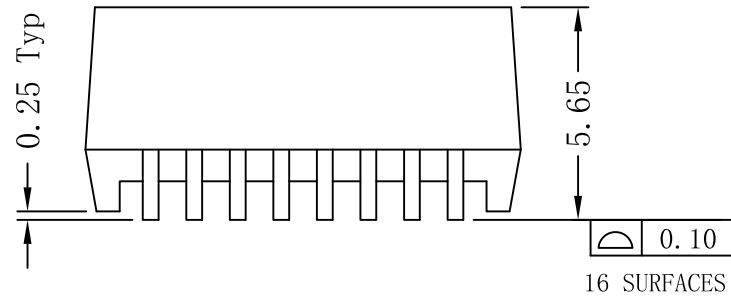
- Turns Ratio:
  - PIN(1-3) : PIN(16-14) = 1CT : 1CT  $\pm 3\%$
  - PIN(6-8) : PIN(11-9) = 1CT : 1CT  $\pm 3\%$
- OCL PIN(11-9) & PIN(16-14) : 350uH MIN.  
@100KHz 100mV 8mA DC Bias
- Insertion Loss:
  - 0.1-100MHz : -1.1dB Max
- Return Loss:
  - 1-30MHz : -18dB Min
  - 40MHz : -14dB Min
  - 50MHz : -12dB Min
  - 60-80MHz : -10dB Min
- Crosstalk:
  - 0.1-100MHz : -40dB Min
- CMR:
  - 0.1-100MHz : -40dB Typ
- Current capability: 700mA.
- Isolation Voltage: 1500Vrms
- Operating Temperature: -40°C ~ +85°C.



X:X	APPD:	LINK-PP INT'L TECHNOLOGY CO., LIMITED		
X:XX $\pm 0.25$	CHKD:	TITLE: 10/100 Base-T Single Port Transformer Modules For PoE+ Application		
X:XXX	DR: TOM	PART NO. : LP41661ANL		
ANGLES $\pm 1^\circ$	UNIT: mm			
	SCALE: 2/1	SHEET: 1/2	REV: A	DWG NO. : LP16022502

# Mechanical:

REV.	ECN NO.	DESCRIPTION	DATE	APPD
A	REL		2016/02/25	



SUGGESTED PAD LAYOUT

## NOTES:

1. Designed to support application, such as SOHO (ADSL modems), LAN-on-Motherboard (LOM), hub and Switches.
2. Plastic: Thermoset plastic material with flammability rating UL 94V-0 or better.
3. With various Turns Ratios.
4. Maximun reflow temperature is 250°C, 5 Sec.
5. UL Certification: File Number E484635.



Dimensions: mm

Unless otherwise specified, all tolerances are  $\pm 0.25$

X:X	APPD:	LINK-PP INT'L TECHNOLOGY CO., LIMITED		
X:XX $\pm 0.25$	CHKD:	TITLE: 10/100 Base-T Single Port Transformer Modules For PoE+ Application		
X:XXX	DR: TOM	PART NO.: LP41661ANL		
ANGLES $\pm 1^\circ$	UNIT: mm			
	SCALE: 2/1	SHEET: 2/2	REV: A	DWG NO.: LP16022502