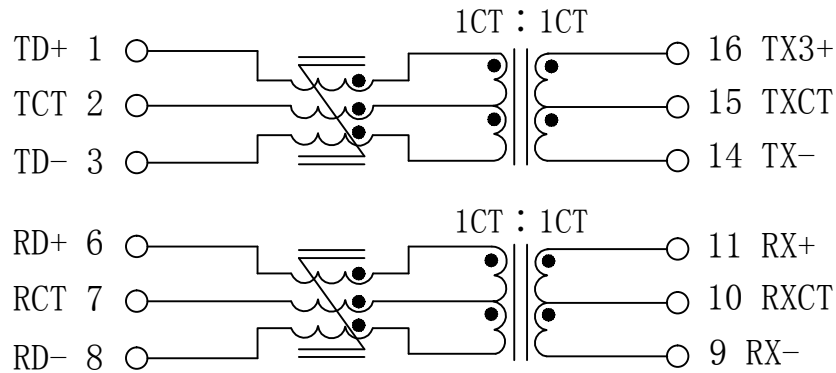


# Schematic:

REV.	ECN NO.	DESCRIPTION	DATE	APPD
A	REL		2012/05/23	



## Electrical Specifications @25°C

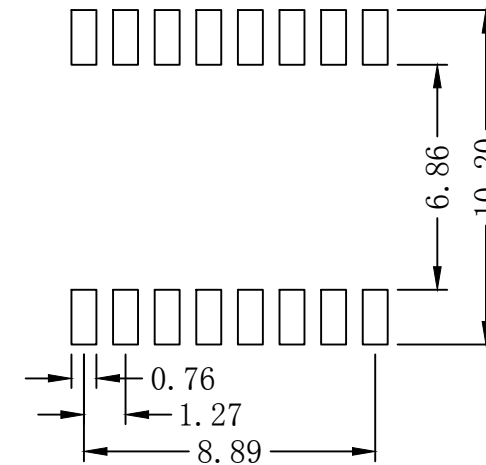
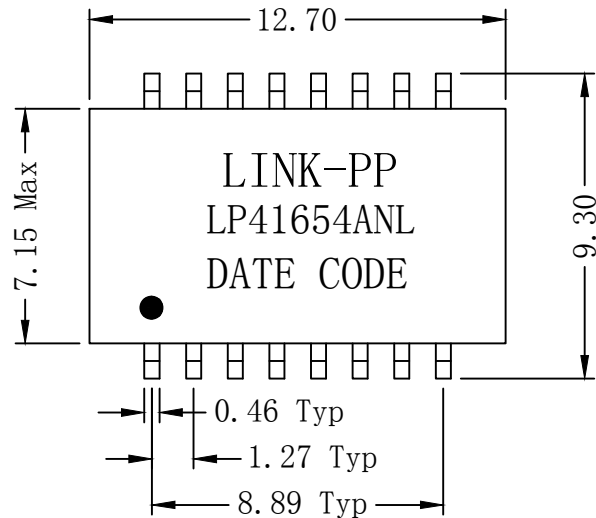
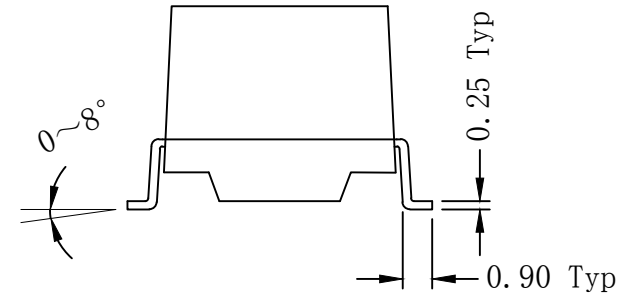
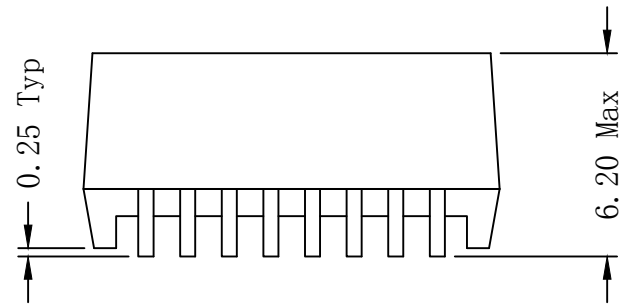
- Turns Ratio:  
TX=1CT : 1CT      RX=1CT : 1CT
- OCL: 350uH Min  
@100KHz, 0.1Vrms, 8mADC Bias
- Insertion Loss:  
0.1-100MHz:-1.2dB MAX
- Return Loss(dB Min @100Ω ±15Ω):  
0.1-30MHz:-16      30-60MHz:-13  
60-80MHz:-10
- Crosstalk(dB Min):  
1MHz:-50  
10-100MHz:-35
- CMRR(dB Min):  
2MHz:-45  
30-200MHz:-33
- DC Current Rating: 720mA DC Max @57V
- Hipot: 1500Vrms Min
- Operating Temperature: -40°C ~ +85°C.



X:X	APPD:	LINK-PP INT'L TECHNOLOGY CO., LIMITED
X:XX ±0.25	CHKD:	
X:XXX	DR: TOM	TITLE: 10/100 Base-T Single Port Transformer Modules For PoE+ Application
ANGLES ±1°	UNIT: mm	PART NO.: LP41654ANL
	SCALE: 2/1	SHEET: 1/2
	REV: A	DWG NO.: LP12052302

# Mechanical :

REV.	ECN NO.	DESCRIPTION	DATE	APPD
A	REL		2012/05/23	



SUGGESTED PAD LAYOUT

## NOTES:

1. Designed to support application, such as SOHO (ADSL modems), LAN-on-Motherboard (LOM), hub and Switches.
2. With various Turns Ratios.
3. Maximum reflow temperature is 250°C, 5 Sec.
4. UL Certification: File Number E484635.



Dimensions: mm

Unless otherwise specified, all tolerances are  $\pm 0.25$

X:X	APPD:	LINK-PP INT'L TECHNOLOGY CO., LIMITED		
X:XX $\pm 0.25$	CHKD:	TITLE: 10/100 Base-T Single Port Transformer Modules For PoE+ Application		
X:XXX	DR: TOM	PART NO.: LP41654ANL		
ANGLES $\pm 1^\circ$	UNIT: mm			
	SCALE: 2/1	SHEET: 2/2	REV: A	DWG NO.: LP12052302