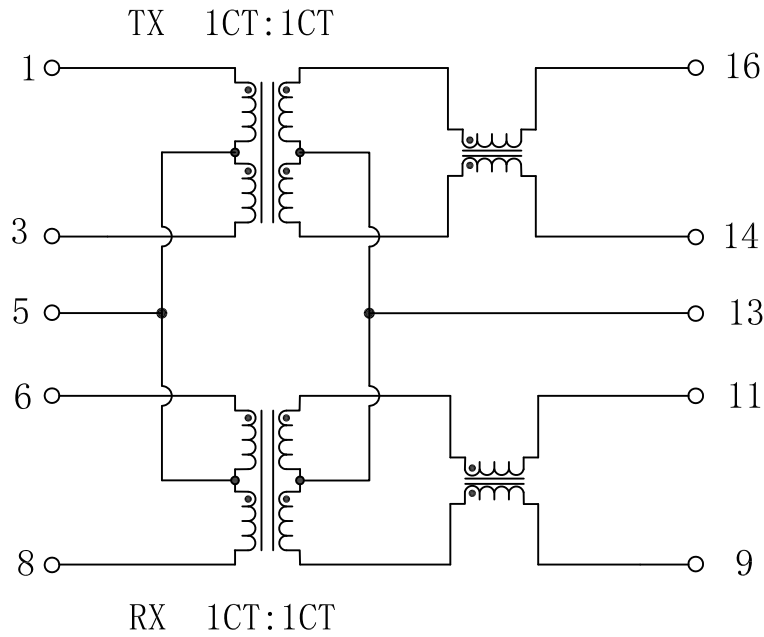


# Schematic:

REV.	ECN NO.	DESCRIPTION	DATE	APPD
A	REL		2010/05/27	



## Electrical Specifications @25°C

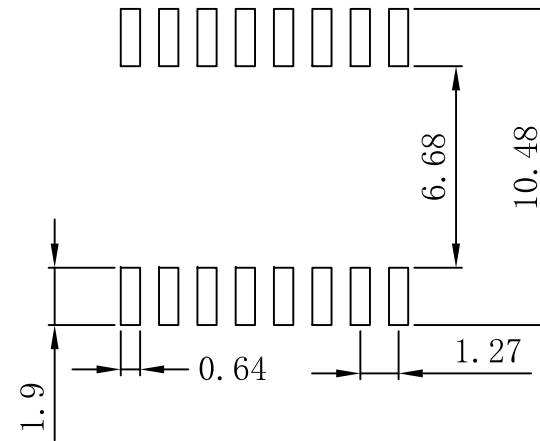
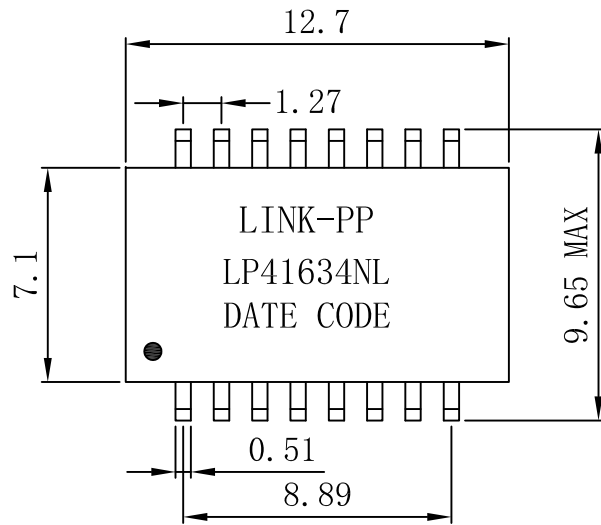
- Turns Ratio:  
TX=1CT:1CT      RX=1CT:1CT
- OCL (@100KHz/0.1Vrms):  
350uH Min
- Insertion Loss:  
0.3-100MHz: -1.0dB Max
- Return Loss:  
30MHz: -18dB Min  
60MHz: -16dB Min  
100MHz: -12dB Min
- CMRR:  
30MHz: -45dB Min  
50MHz: -40dB Min  
100MHz: -35dB Min
- Hi-Pot: 1500Vrms Min
- Operating Temperature: 0°C ~ 70°C.



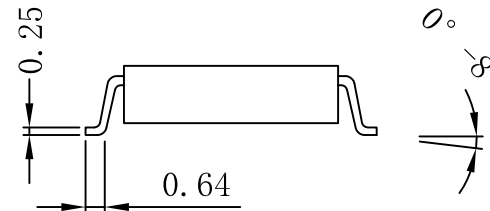
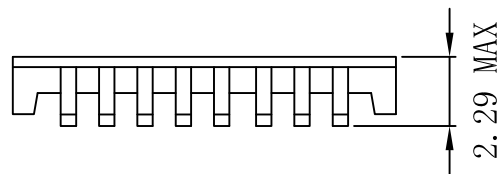
X:X	APPD:	LINK-PP INT'L TECHNOLOGY CO., LIMITED		
X:XX ±0.25	CHKD:	TITLE: 10/100 Base-T Transformer		
X:XXX	DR: TOM	PART NO.: LP41634NL		
ANGLES ±1°	UNIT: mm			
	SCALE: 2/1	SHEET: 1/2	REV: A	DWG NO.: LP10052702

# Mechanical:

REV.	ECN NO.	DESCRIPTION	DATE	APPD
A	REL		2010/05/27	



SUGGESTED PAD LAYOUT



## NOTES:

1. Designed to support application, such as SOHO (ADSL modems), LAN-on-Motherboard (LOM), hub and Switches.
2. Meets IEEE 802.3 specification.
3. Maximum reflow temperature is 250°C, 5 Sec.
4. UL certification: file number E484635.

X:X	APPD:	LINK-PP INT'L TECHNOLOGY CO., LIMITED		
X:XX ±0.25	CHKD:	TITLE: 10/100 Base-T Transformer		
X:XXX	DR: TOM	PART NO.: LP41634NL		
ANGLES ±1°	UNIT: mm			
	SCALE: 2/1	SHEET: 2/2	REV: A	DWG NO.: LP10052702