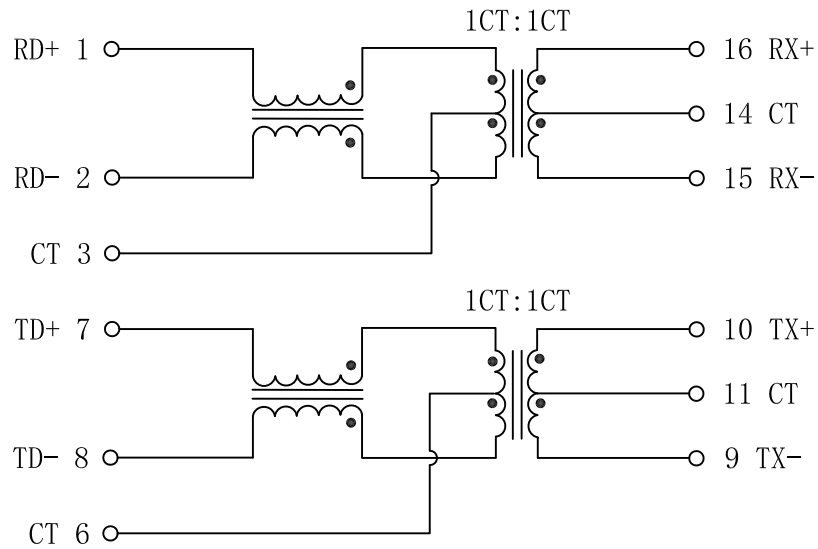


Schematic:

REV.	ECN NO.	DESCRIPTION	DATE	APPD
A	REL		2015-06-09	



Electrical Specifications @25°C

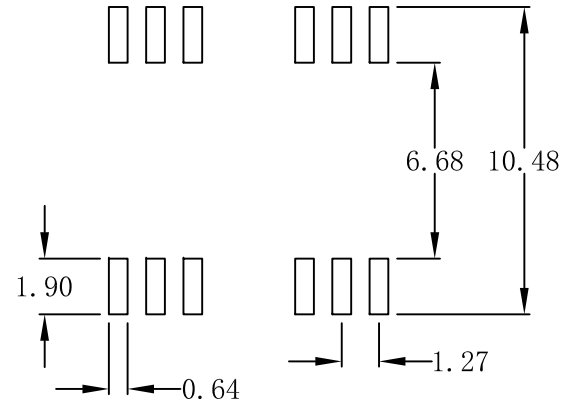
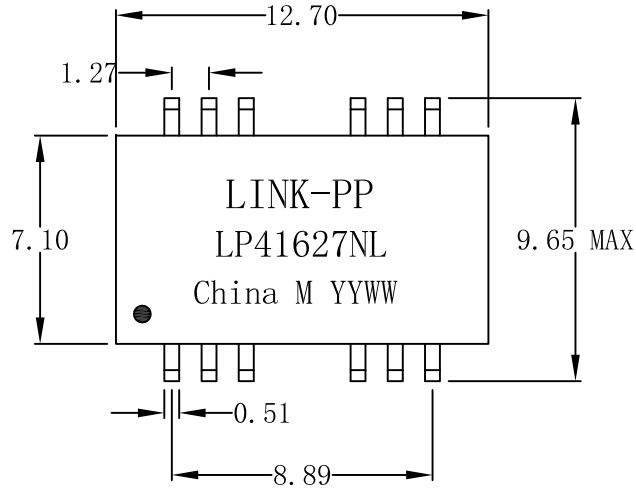
- Turns Ratio:
TX=1CT : 1CT RX=1CT : 1CT
- OCL: 350uH min. @100KHz, 200mV
- Insertion Loss:
0.1-100MHz: -1.1dB MAX
- Return Loss:
30MHz: -16dB MIN
60MHz: -12dB MIN
80MHz: -11dB MIN
- Crosstalk:
30MHz: -50dB MIN
60MHz: -45dB MIN
100MHz: -40dB MIN
- DCMR:
30MHz: -35dB MIN
50MHz: -33dB MIN
100MHz-150MHz: -20dB MIN
- Hipot: 1500Vrms MIN
- Operating Temperature: 0°C ~ 70°C.



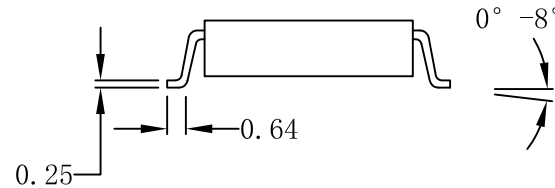
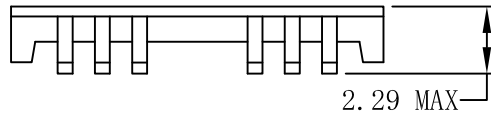
X:X	APPD:	LINK-PP INT'L TECHNOLOGY CO., LIMITED		
X:XX ±0.25	CHKD:	TITLE: 10/100Base-T Single Port Transformer Modules		
X:XXX	DR: TOM	PART NO.: LP41627NL		
ANGLES ±1°	UNIT: mm			
	SCALE: 4/1	SHEET: 1/2	REV: A	DWG NO.: LP13021618

Mechanical :

REV.	ECN NO.	DESCRIPTION	DATE	APPD
A	REL		2015-06-09	



SUGGESTED PAD LAYOUT



NOTES:

1. Designed to support application, such as SOHO (ADSL modems), LAN-on-Motherboard (LOM), hub and Switches.
2. Meets IEEE 802.3 specification.
3. Maximum reflow temperature is 250°C, 5 Sec.
4. UL Certification: File Number E484635.

X:X	APPD:	LINK-PP INT'L TECHNOLOGY CO., LIMITED		
X:XX ±0.25	CHKD:	TITLE: 10/100Base-T Single Port Transformer Modules		
X:XXX	DR: TOM	PART NO.: LP41627NL		
ANGLES ±1°	UNIT: mm	DWG NO.: LP13021618		
	SCALE: 4/1	SHEET: 2/2	REV: A	