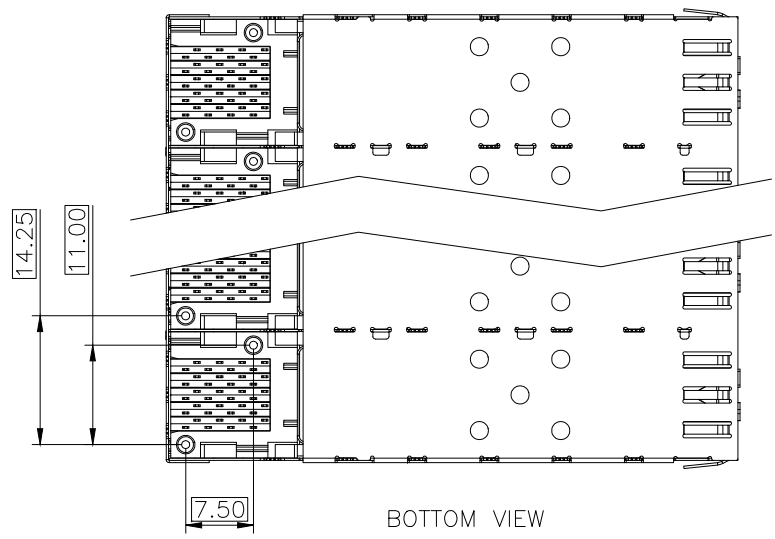
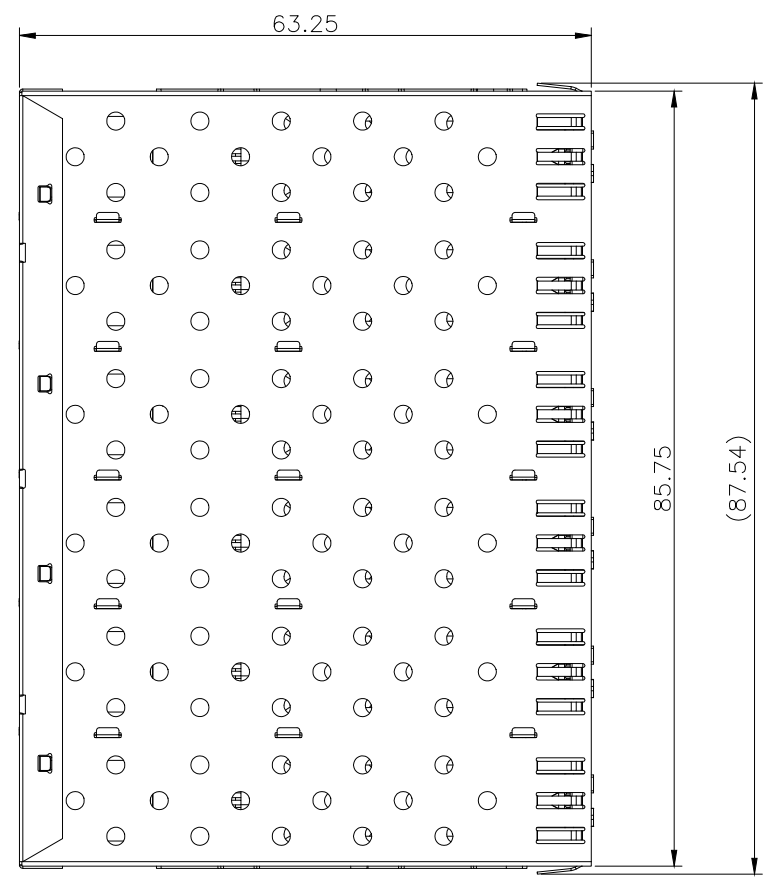


REV	DESCRIPTION OF CHANGE	REVIEWED BY	ISSUE DATE
A	FIRST ISSUE	LEO	2021-09-29

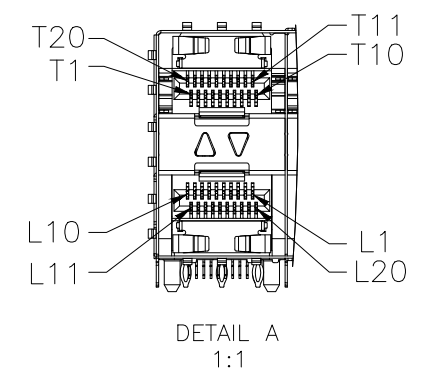
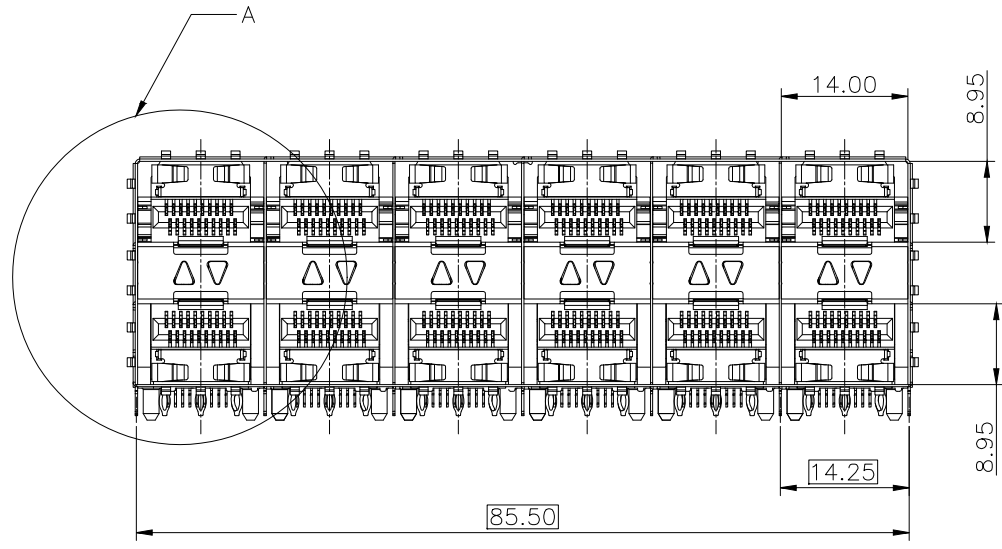
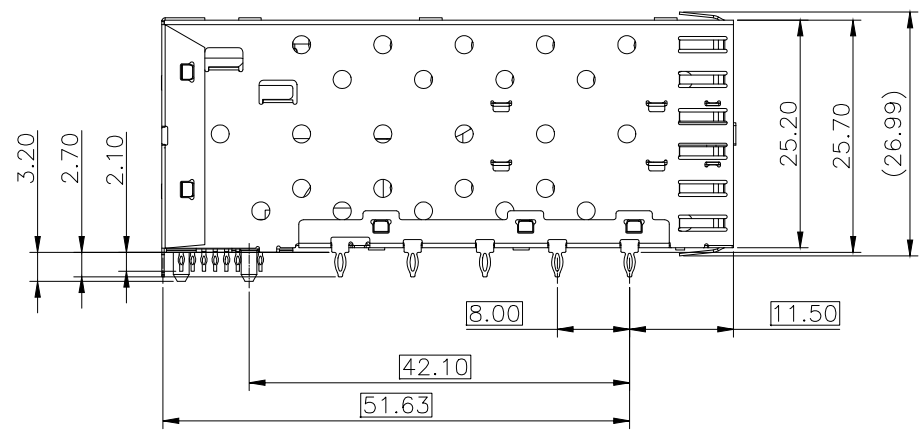


NOTES:

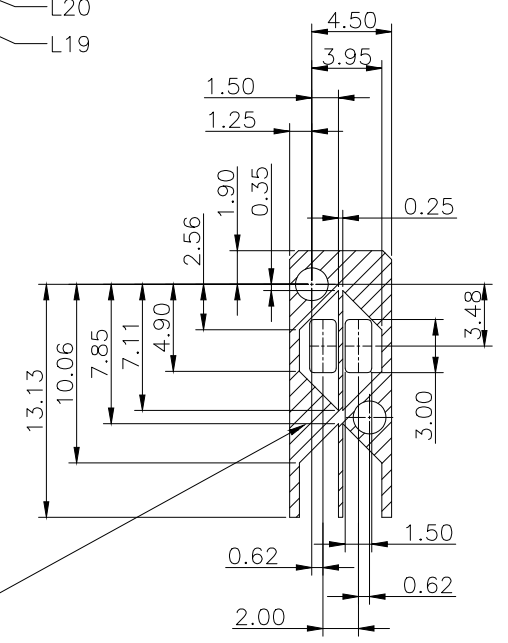
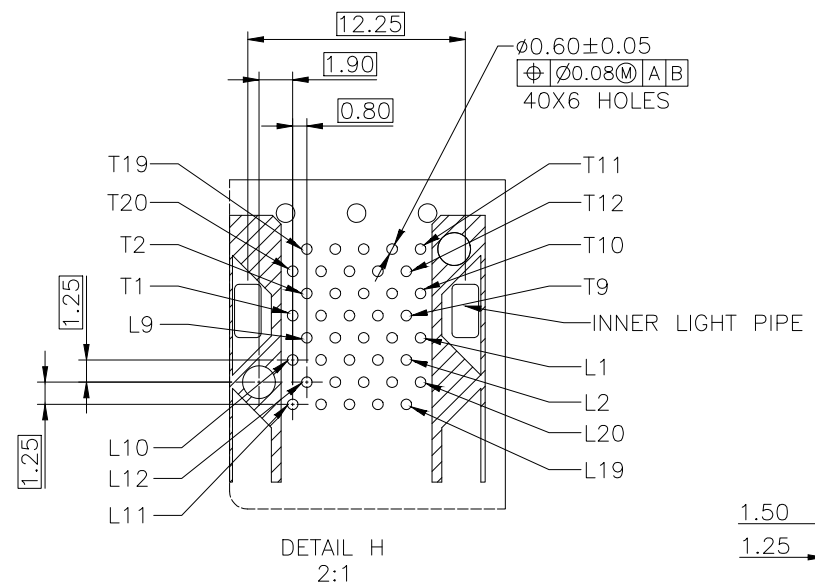
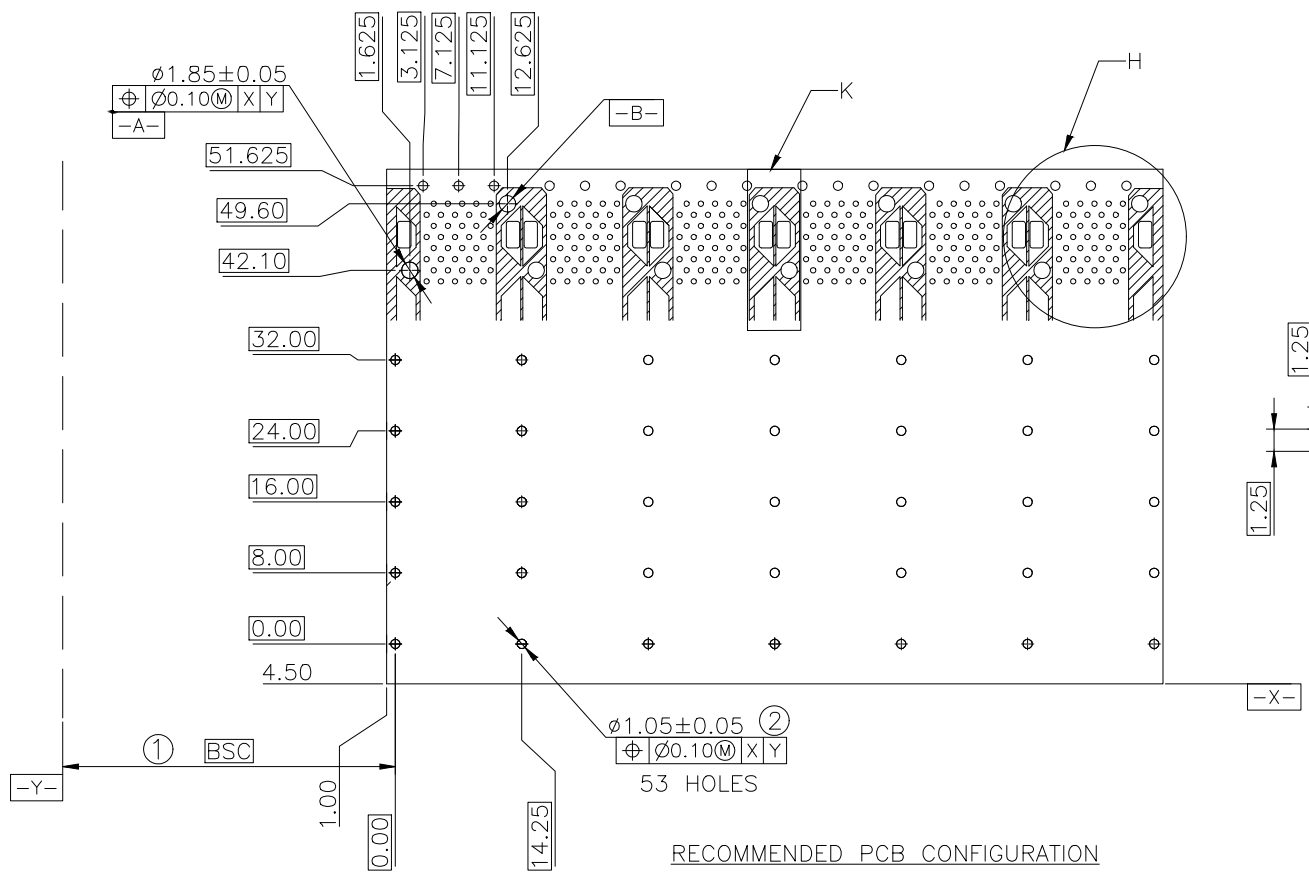
MATERIAL:  
 CAGE: COPPER ALLOY 30μ" MIN NI-PLATED, THICKNESS 0.25 MM

CONNECTOR:  
 PLASTIC HOUSING: HIGH TEMPERATURE LCP, UL94 V-0.  
 LIGHT PIPE: POLYCARBONATE; COLOR: CLEAR  
 SPRING: STAINLESS STEEL, THICKNESS 0.20mm  
 CONTACTS: PHOSPHOR BRONZE, THICKNESS 0.20mm  
 PLATING: 15μ" MIN. GOLD ON MATING AREA,  
 150μ" MIN. MATE TIN ON SOLDER TAILS.

PACKAGING: TRAY PACKAGING.  
 OPERATING TEMPERATURE: -40°C TO +85°C  
 STORAGE TEMPERATURE: -55°C TO +105°C



TITLE SFP 2X6 CAGE & CONNECTOR WITH EMI SPRING FINHER LIGHT PIPE			LINK-PP INT'L TECHNOLOGY CO., LIMITED				
PART NO. LP26AC01201			GENNERAL TOLERANCE			UNIT:MM	SIZE:A4
APPROVE	CHECK	DRAW	• X±0.20	• X±1°	SCALE:1:1	SHEET:1/3	REV:A
LEO	JAMES	JAMES	• XX±0.15	• XX±5°			
			• XXX±0.10				



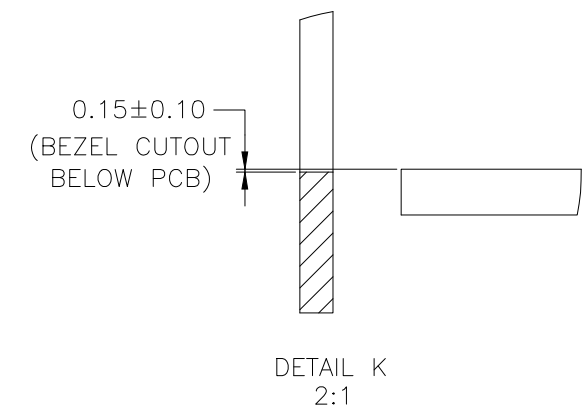
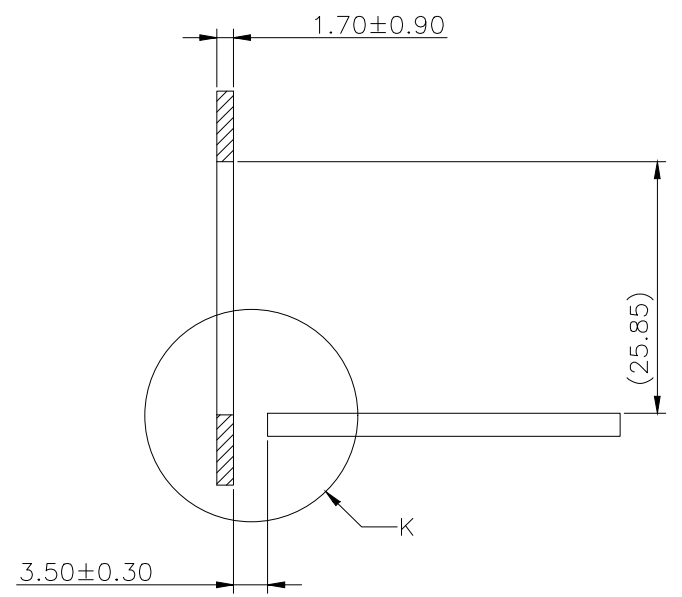
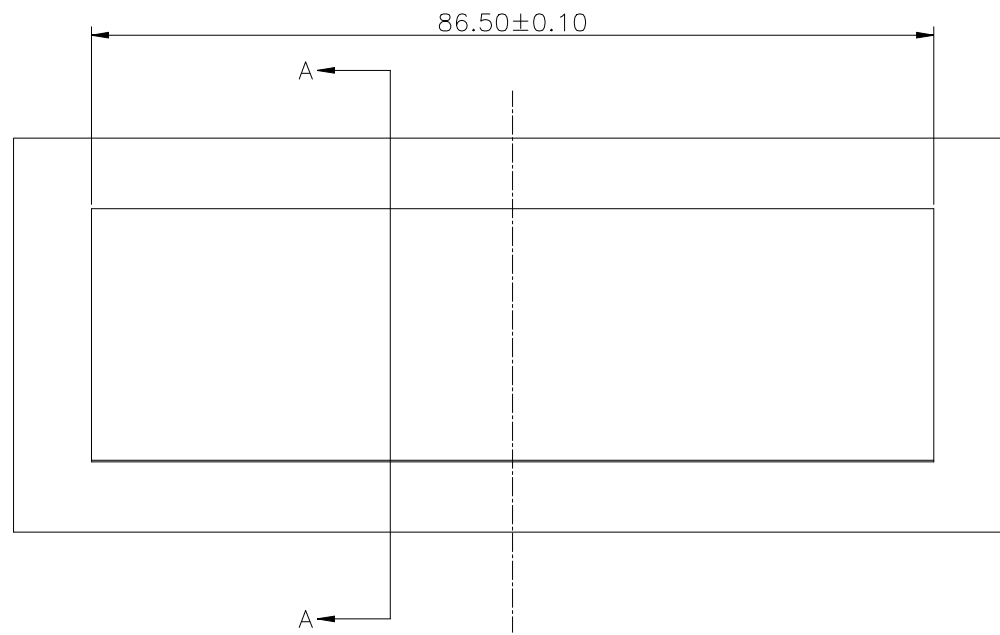
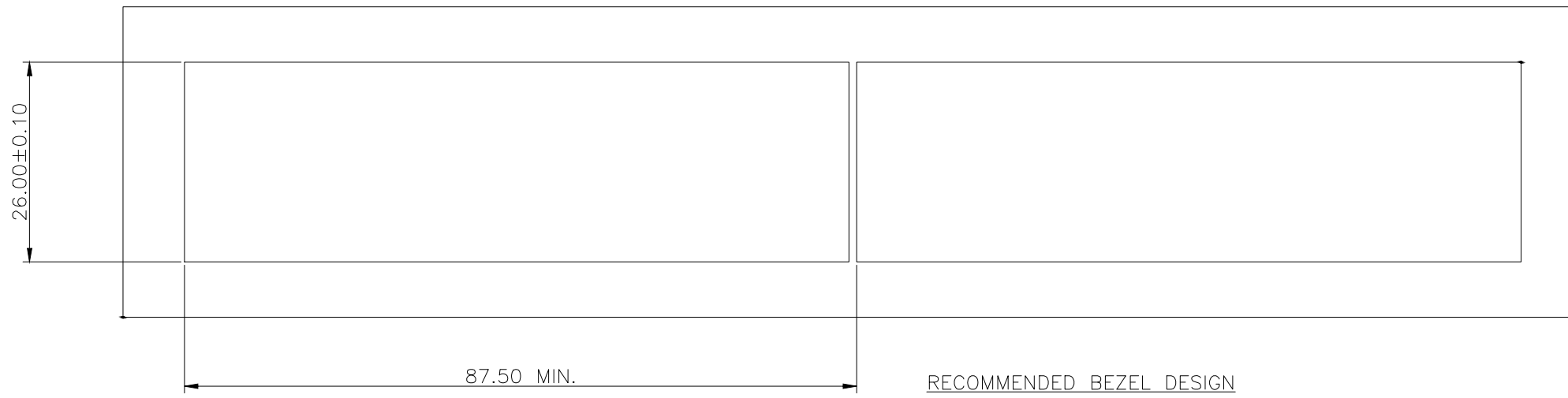
- NOTES:
- ①. DATUM AND BASIC DIMENSIONS ESTABLISHED BY CUSTOMER.
  - ②. 1.05 mm DIAMETER HOLES ARE CHASSIS GROUND.

THE ENTIRE AREA OF THE CONNECTOR FOOTPRINT TO BE CONSIDERED THE KEEP OUT AREA FOR COMPONENTS (OTHER THAN LIGHT PIPE LE'S) THIS AREA IS INDICATED BY THE ADSDHED LINE

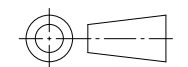
DETAIL LIGHT PIPE LOCATION AND OTHER ZONES  
DETAIL K  
2:1



TITLE SFP 2X6 CAGE & CONNECTOR WITH EMI SPRING FINHER LIGHT PIPE			LINK-PP INT'L TECHNOLOGY CO., LIMITED		
PART NO. LP26AC01201			GENNERAL TOLERANCE		UNIT:MM SIZE:A4
APPROVE	CHECK	DRAW	• X±0.20	• X±1°	SCALE:1:1 SHEET:1/3 REV:A
LEO	JAMES	JAMES	• XX±0.15	• XX±5°	
			• XXX±0.10		



TITLE SFP 2X6 CAGE & CONNECTOR WITH EMI SPRING FINHER LIGHT PIPE			LINK-PP INT'L TECHNOLOGY CO., LIMITED		
PART NO. LP26AC01201			GENNERAL TOLERANCE		UNIT:MM
APPROVE	CHECK	DRAW	○ X±0.20	○ X±1°	SIZE:A4
LEO	JAMES	JAMES	○ XX±0.15	○ XX±5°	REV:A
			○ XXX±0.10		



SCALE:1:1

SHEET:1/3