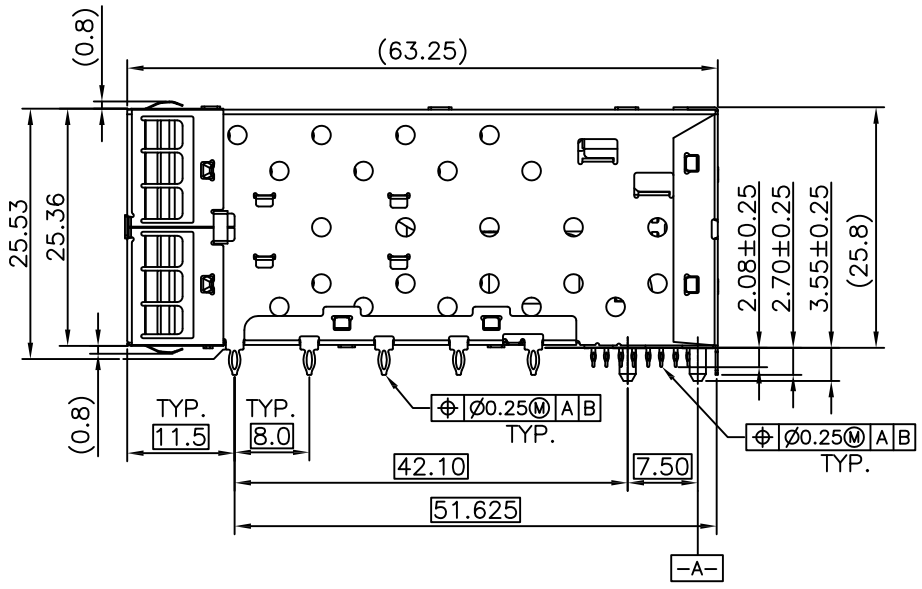
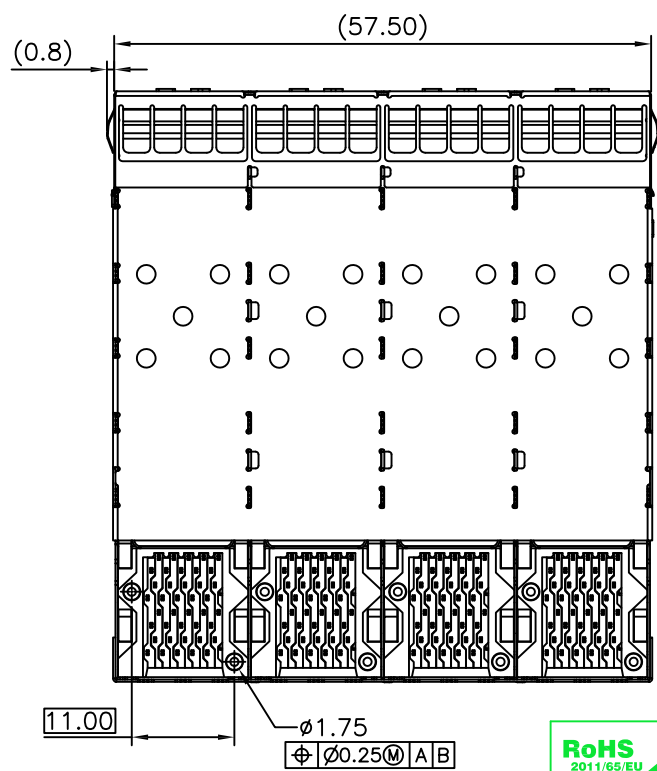
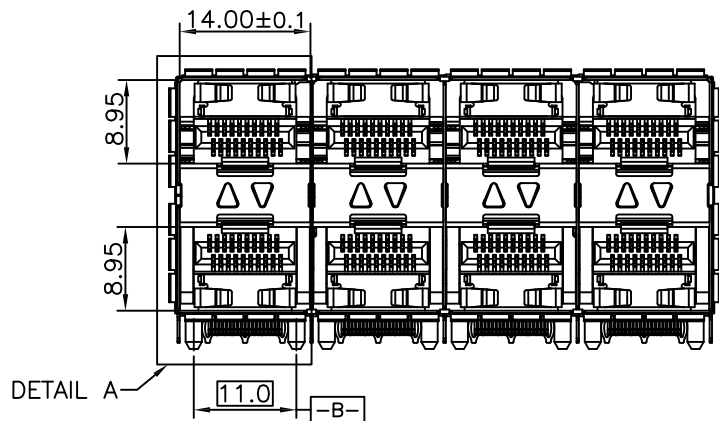


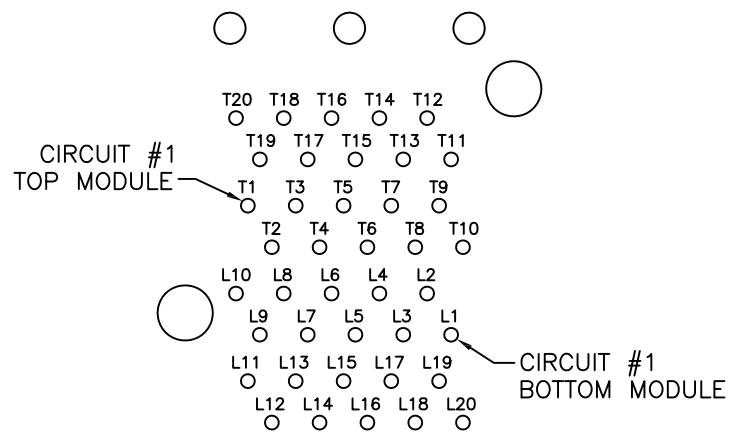
REV	DESCRIPTION OF CHANGE	REVIEWED BY	ISSUE DATE
A	FIRST ISSUE	James	2021-08-01



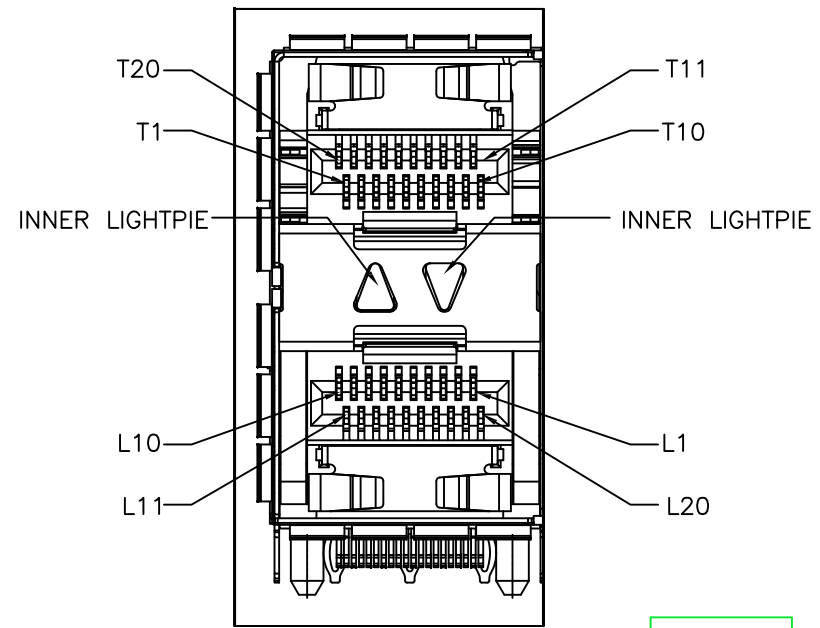
NOTES:

- MATERIAL:
 CAGE: COPPER ALLOY 30u" MIN NI-PLATED, THICKNESS 0.25 MM
 CONNECTOR:
 PLASTIC HOUSING: HIGH TEMPERATURE LCP, UL94 V-0.
 LIGHT PIPE: POLYCARBONATE; COLOR: CLEAR
 SPRING: STAINLESS STEEL, THICKNESS 0.20mm
 CONTACTS: PHOSPHOR BRONZE, THICKNESS 0.20mm
 PLATING: 15u" MIN. GOLD ON MATING AREA,
 150u" MIN. MATE TIN ON SOLDER TAILS.
 PACKAGING: TRAY PACKAGING.
 OPERATING TEMPERATURE: -40°C TO +85°C
 STORAGE TEMPERATURE: -55°C TO +105°C

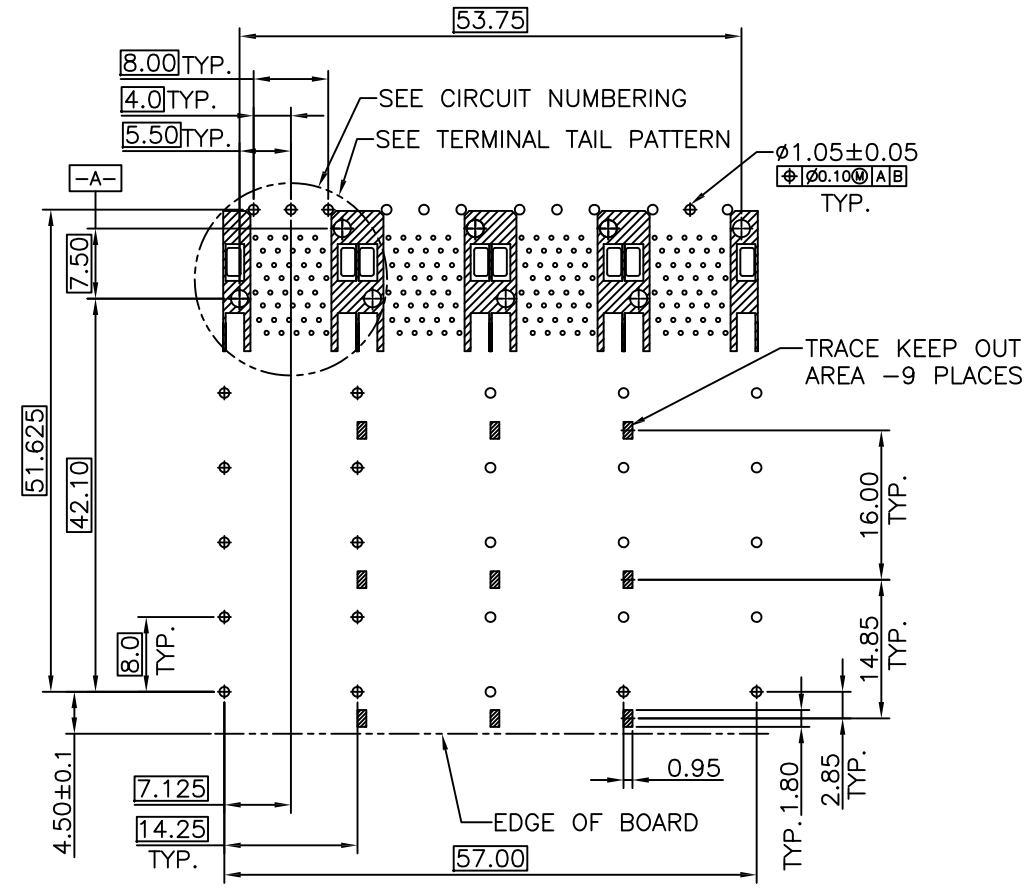
TITLE			LINK-PP INT'L TECHNOLOGY CO., LIMITED			
SFP+ 2X4 CAGE+CONNECTOR						
PART NO.		LP24BC01201	GENERAL TOLERANCE		UNIT:MM	SIZE: A4
APPROVE	CHECK	DRAW	.X±0.20	.X±1'	SCALE: 1:1	SHEET:1/4
James	Kevin	Kevin	.XX±0.15	.XX±5'		
			.XXX±0.10			
					REV:A	



CIRCUIT NUMBERING
COMPONENT SIDE OF BOARD



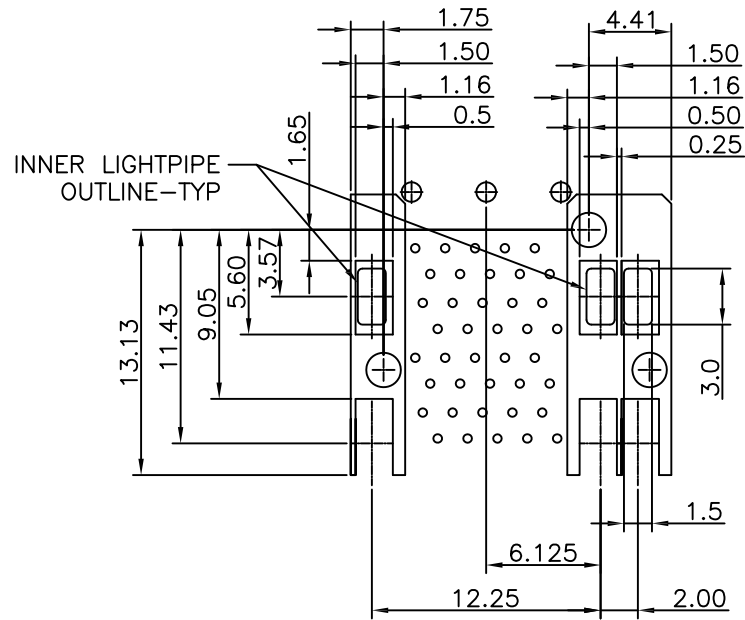
DETAIL A
CIRCUIT NUMBERING
AND LIGHTPIE INDENTIFICATION



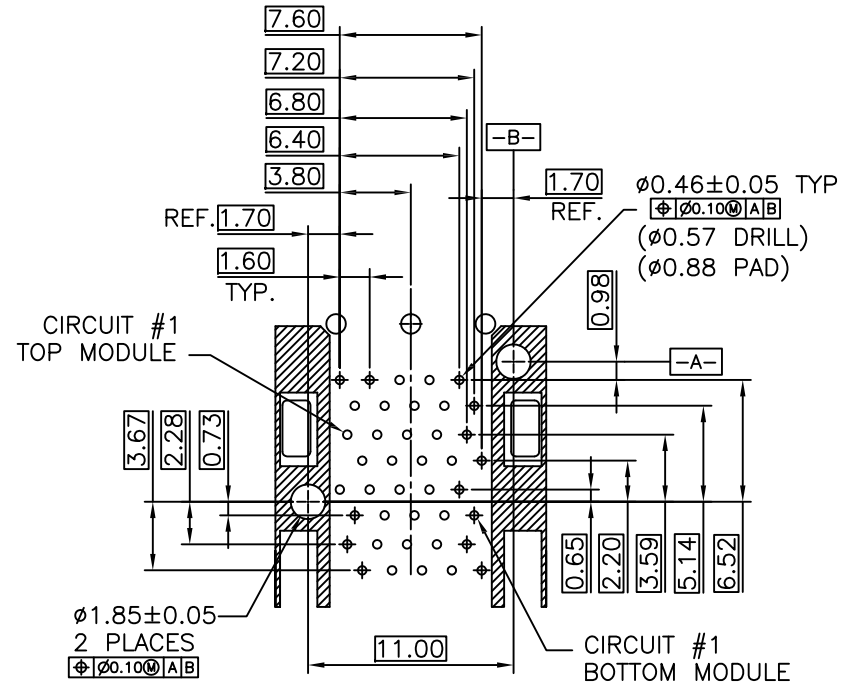
RECOMMENDED PCB LAYOUT - COMPONENT SIDE
RECOMMENDED PCB THICKNESS : 2.36MM(.093 INCH)
(MINIMUM PCB THICKNESS : 1.57)

THE ENTIRE AREA OF THE CONNECTOR FOOTPRINT
TO BE CONSIDERED THE KEEP OUT AREA FOR COMPONENTS
THIS AREA IS INDICATED BY THE DASHED LINE

TITLE			SFP+ 2X4 CAGE+CONNECTOR		LINK-PP INT'L TECHNOLOGY CO., LIMITED			
PART NO.			LP24BC01201		GENERAL TOLERANCE		UNIT:MM	SIZE: A4
APPROVE	CHECK	DRAW	.X±0.20	.X±1'	SCALE: 1:1		SHEET:2/4	REV:A
James	Kevin	Kevin	.XX±0.15	.XX±5'				
			.XXX±0.10					



DETAIL-KEEPOUT ZONES

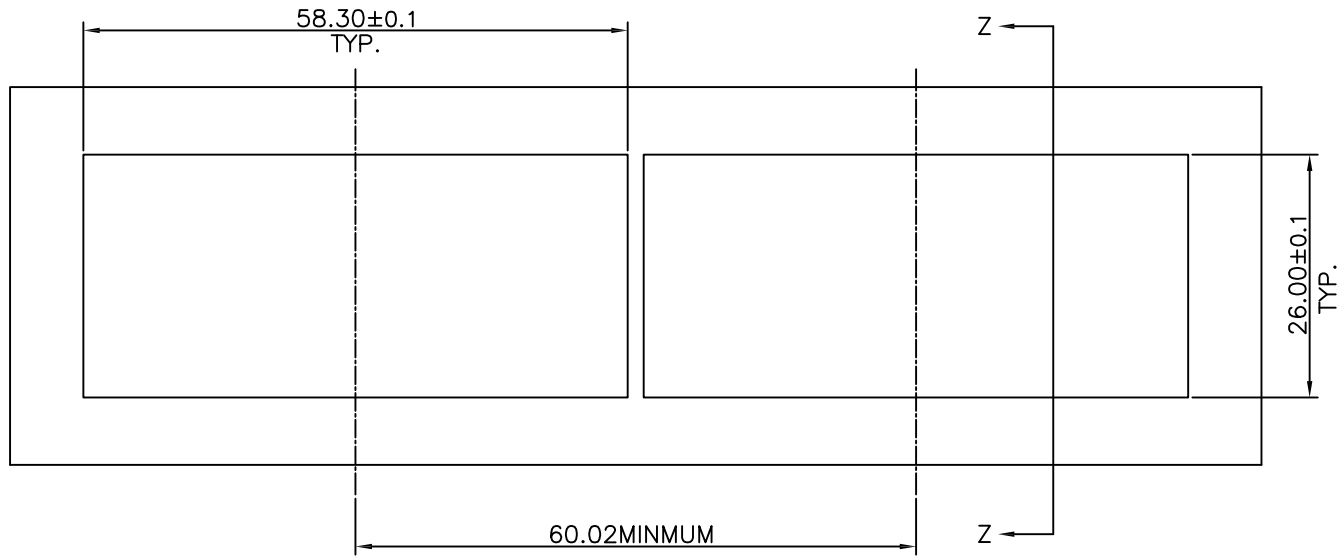


TERMINAL TAIL PATTERN

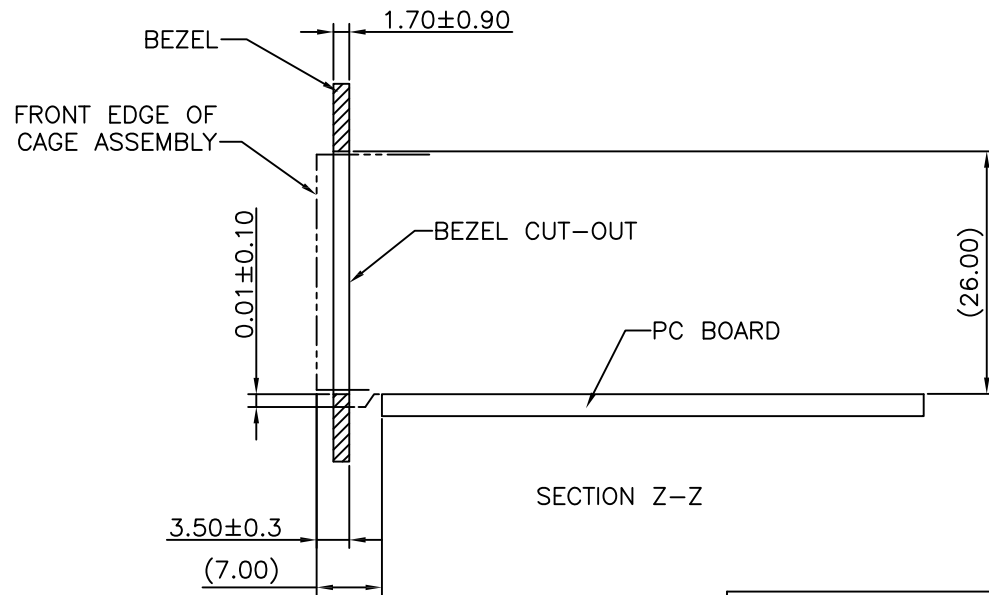
THE HATCHED AREA IN THIS VIEW INDICATES ZONES THAT ARE OCCUPIED BY THE PLASTIC HOUSING THAT SEATS AGAINST THE PCB AND BY THE VERTICAL METAL CAGE WALL THAT STOPS JUST SHORT OF THE PCB



TITLE			LINK-PP INT'L TECHNOLOGY CO., LIMITED			
SFP+ 2X4 CAGE+CONNECTOR						
PART NO.			GENERAL TOLERANCE		UNIT:MM	
LP24BC01201					SIZE: A4	
APPROVE	CHECK	DRAW	.X±0.20	.X±1'	SCALE: 1:1	
James	Kevin	Kevin	.XX±0.15	.XX±5'		SHEET:3/4
			.XXX±0.10			REV:A



BEZEL CUT-OUT CENTER SPACING DETAIL



SECTION Z-Z



TITLE			SFP+ 2X4 CAGE+CONNECTOR		LINK-PP INT'L TECHNOLOGY CO., LIMITED			
PART NO.			LP24BC01201		GENERAL TOLERANCE		UNIT:MM	SIZE: A4
APPROVE	CHECK	DRAW	.X±0.20	.X±1'	SCALE: 1:1	SHEET:4/4	REV:A	
James	Kevin	Kevin	.XX±0.15	.XX±5'				
			.XXX±0.10					