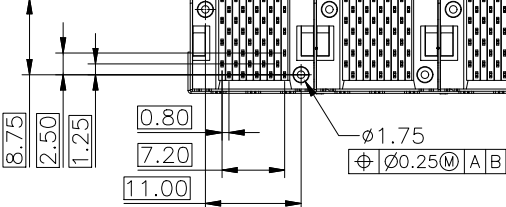
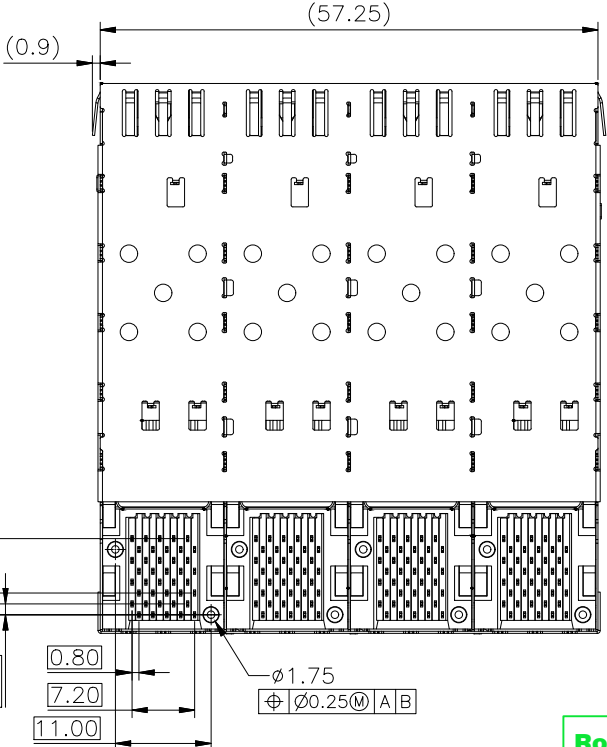
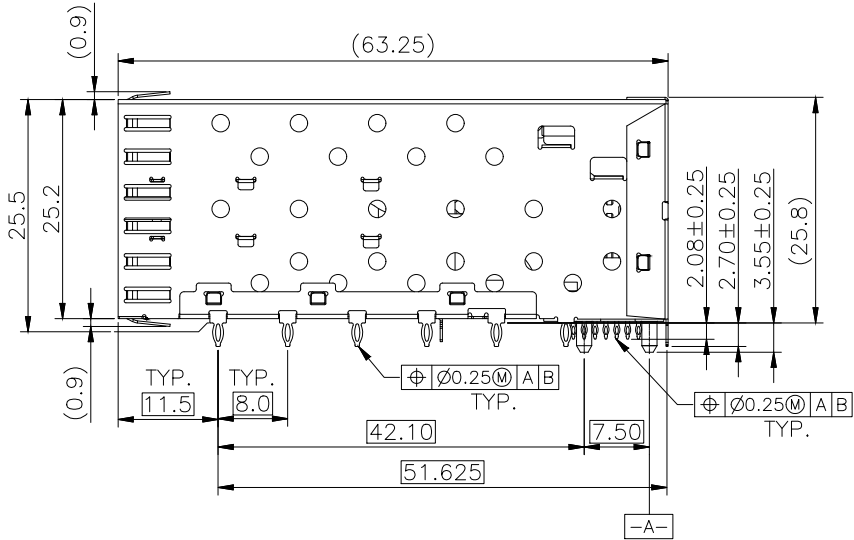
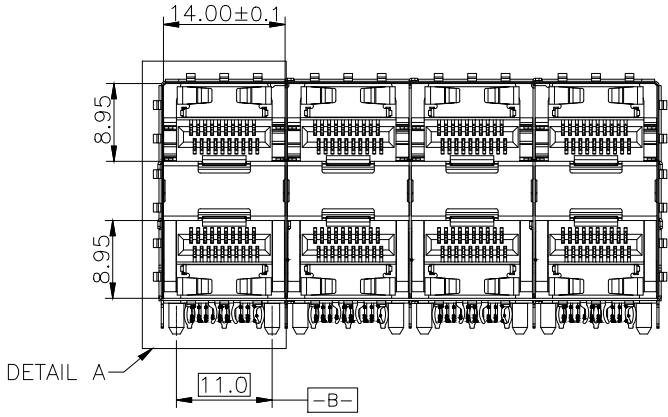


REV	DESCRIPTION OF CHANGE	REVIEWED BY	ISSUE DATE
A	FIRST ISSUE	LEO	2021-10-02

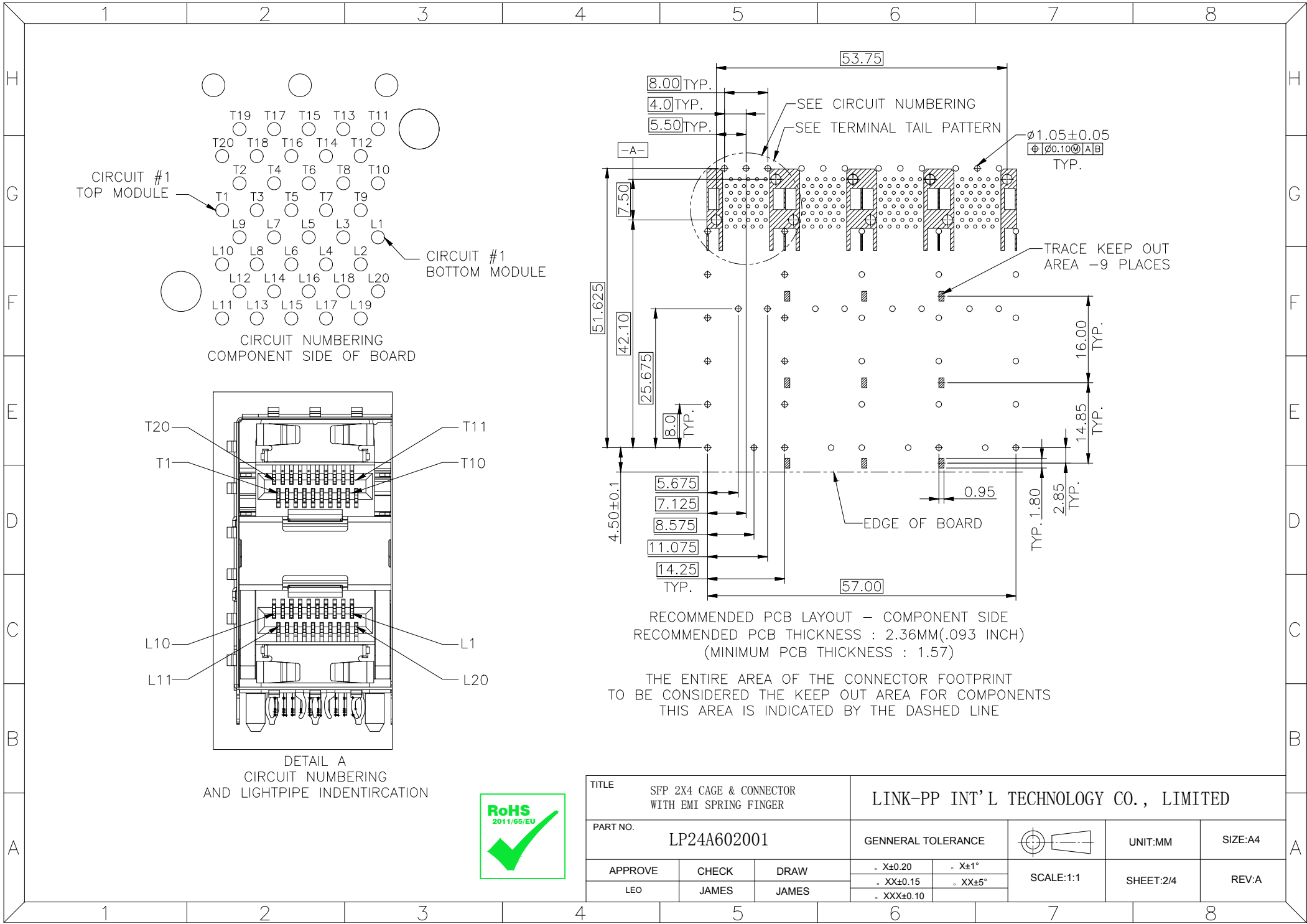


NOTES:

- MATERIAL:
- CAGE: COPPER ALLOY 30u" MIN NI-PLATED, THICKNESS 0.25 MM
- CONNECTOR:
- PLASTIC HOUSING: HIGH TEMPERATURE LCP, UL94 V-0.
- SPRING: STAINLESS STEEL, THICKNESS 0.20mm
- CONTACTS: PHOSPHOR BRONZE, THICKNESS 0.20mm
- PLATING: 15µ" MIN. GOLD ON MATING AREA, 150µ" MIN. MATE TIN ON SOLDER TAILS.
- PACKAGING: TRAY PACKAGING.
- OPERATING TEMPERATURE: -40°C TO +85°C
- STORAGE TEMPERATURE: -55°C TO +105°C

TITLE			LINK-PP INT'L TECHNOLOGY CO., LIMITED		
SFP 2X4 CAGE & CONNECTOR WITH EMI SPRING FINGER					
PART NO.			GENNERAL TOLERANCE		UNIT:MM
LP24A602001			. X±0.20 . X±1° . XX±0.15 . XX±5° . XXX±0.10		SIZE:A4
APPROVE	CHECK	DRAW	SCALE:1:1		SHEET:1/4
LEO	JAMES	JAMES			

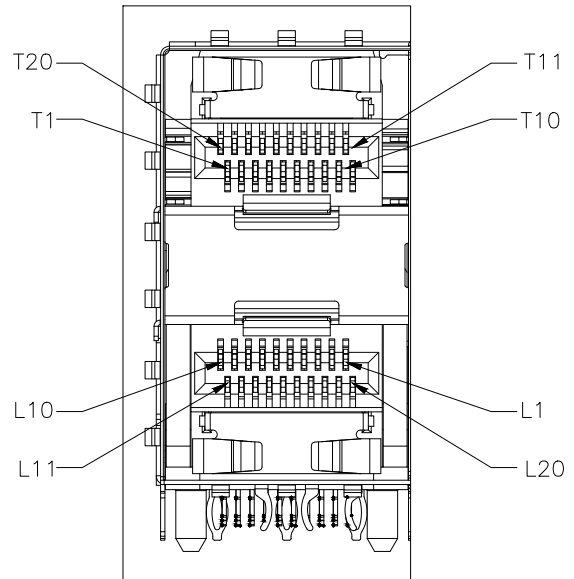




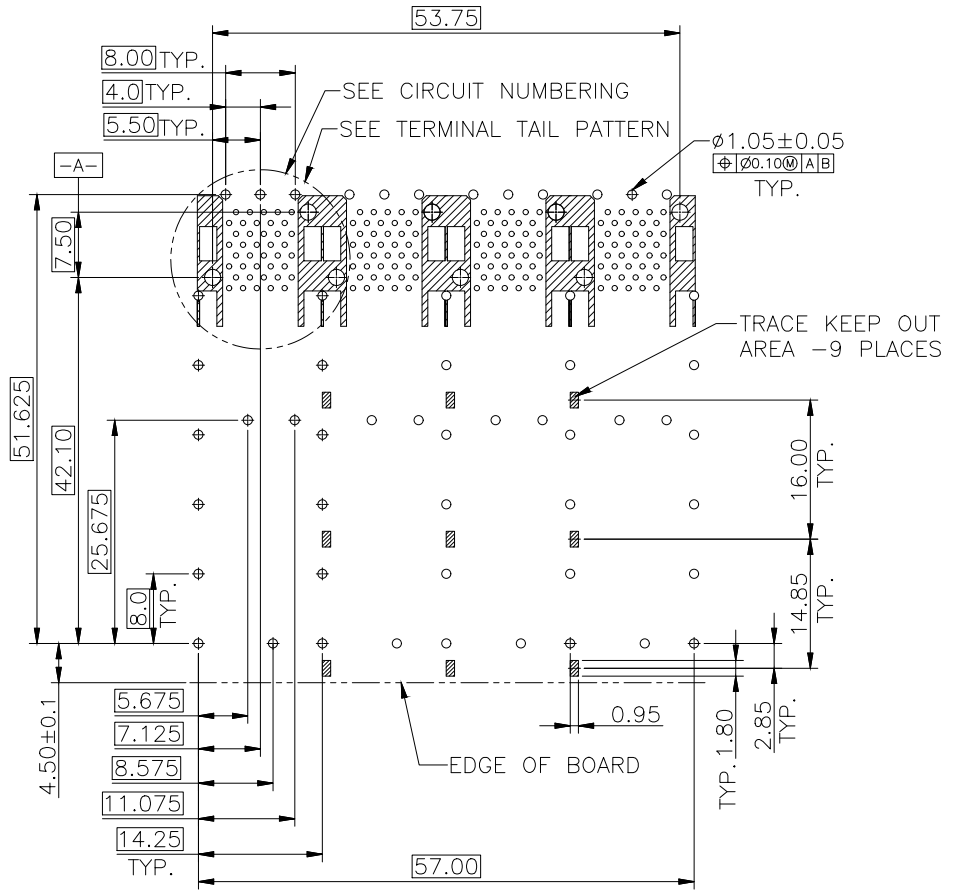
CIRCUIT #1
TOP MODULE

CIRCUIT #1
BOTTOM MODULE

CIRCUIT NUMBERING
COMPONENT SIDE OF BOARD



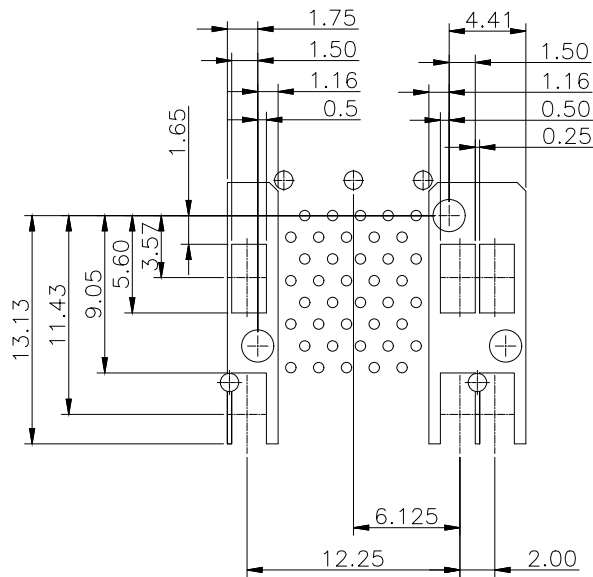
DETAIL A
CIRCUIT NUMBERING
AND LIGHTPIPE IDENTIFICATION



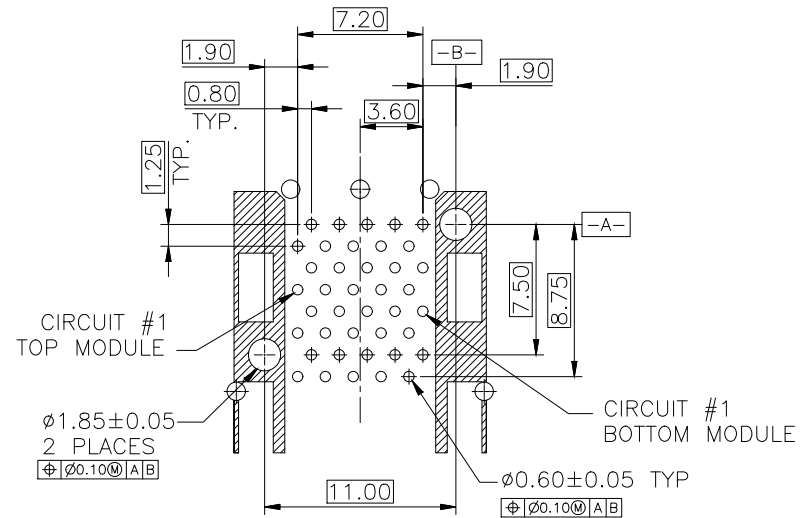
RECOMMENDED PCB LAYOUT - COMPONENT SIDE
RECOMMENDED PCB THICKNESS : 2.36MM(.093 INCH)
(MINIMUM PCB THICKNESS : 1.57)

THE ENTIRE AREA OF THE CONNECTOR FOOTPRINT
TO BE CONSIDERED THE KEEP OUT AREA FOR COMPONENTS
THIS AREA IS INDICATED BY THE DASHED LINE

TITLE			SFP 2X4 CAGE & CONNECTOR WITH EMI SPRING FINGER		LINK-PP INT'L TECHNOLOGY CO., LIMITED			
PART NO.			LP24A602001		GENNERAL TOLERANCE		UNIT:MM	SIZE:A4
APPROVE	CHECK	DRAW	. X±0.20	. X±1°	SCALE:1:1	SHEET:2/4	REV:A	
LEO	JAMES	JAMES	. XX±0.15	. XX±5°				
			. XXX±0.10					



DETAIL-KEEPOUT ZONES

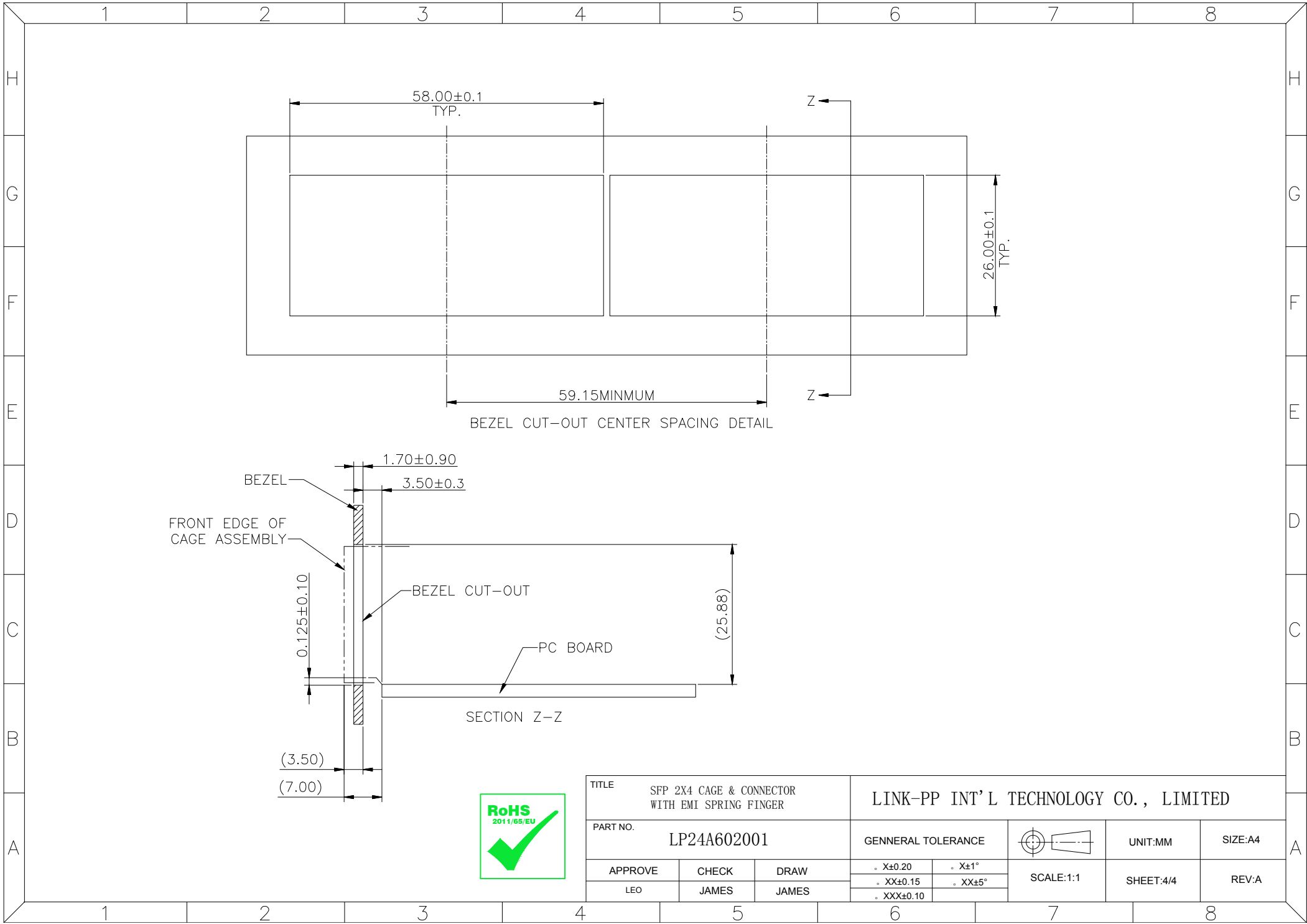


TERMINAL TAIL PATTERN

THE HATCHED AREA IN THIS VIEW INDICATES ZONES THAT ARE OCCUPIED BY THE PLASTIC HOUSING THAT SEATS AGAINST THE PCB AND BY THE VERTICAL METAL CAGE WALL THAT STOPS JUST SHORT OF THE PCB



TITLE SFP 2X4 CAGE & CONNECTOR WITH EMI SPRING FINGER			LINK-PP INT'L TECHNOLOGY CO., LIMITED				
PART NO. LP24A602001			GENNERAL TOLERANCE			UNIT:MM	SIZE:A4
APPROVE	CHECK	DRAW	. X±0.20	. X±1°	SCALE:1:1	SHEET:3/4	REV:A
LEO	JAMES	JAMES	. XX±0.15	. XX±5°			
			. XXX±0.10				



BEZEL CUT-OUT CENTER SPACING DETAIL

SECTION Z-Z



TITLE			SFP 2X4 CAGE & CONNECTOR WITH EMI SPRING FINGER		LINK-PP INT'L TECHNOLOGY CO., LIMITED			
PART NO.			LP24A602001		GENNERAL TOLERANCE		UNIT:MM	SIZE:A4
APPROVE	CHECK	DRAW	◦ X±0.20	◦ X±1°	SCALE:1:1		SHEET:4/4	REV:A
LEO	JAMES	JAMES	◦ XX±0.15	◦ XX±5°				
			◦ XXX±0.10					