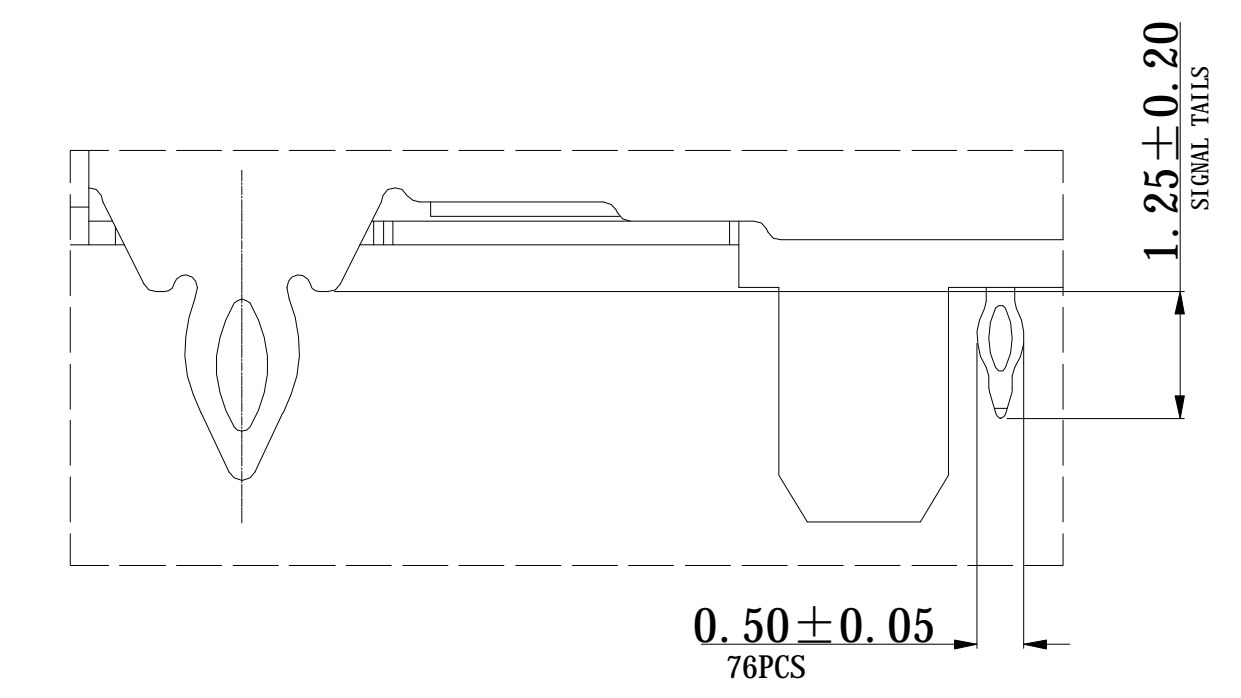
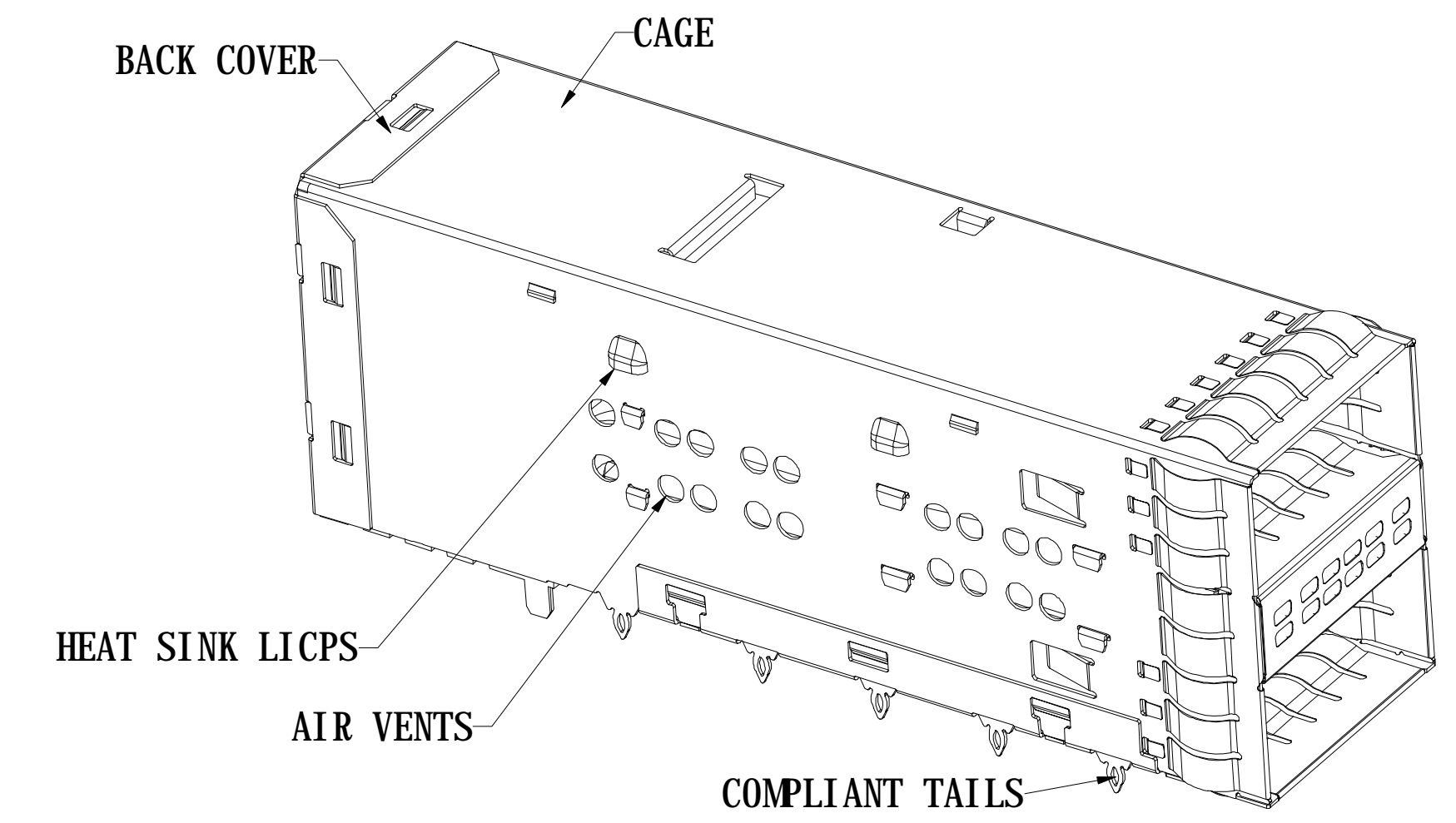
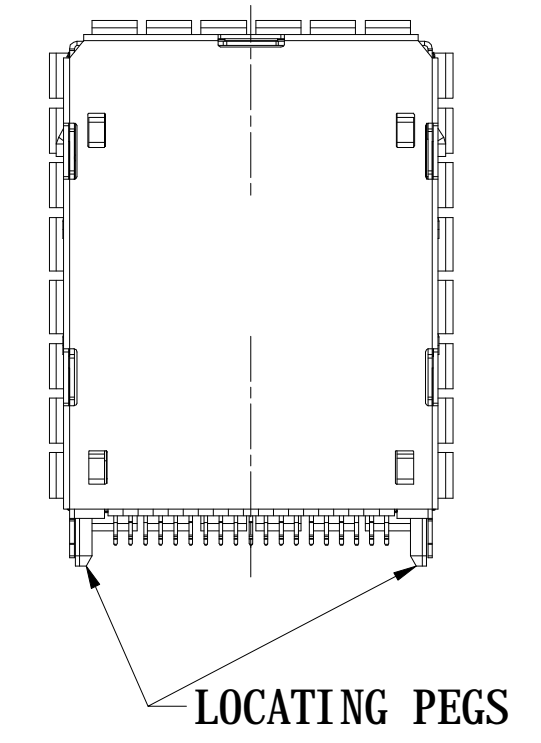
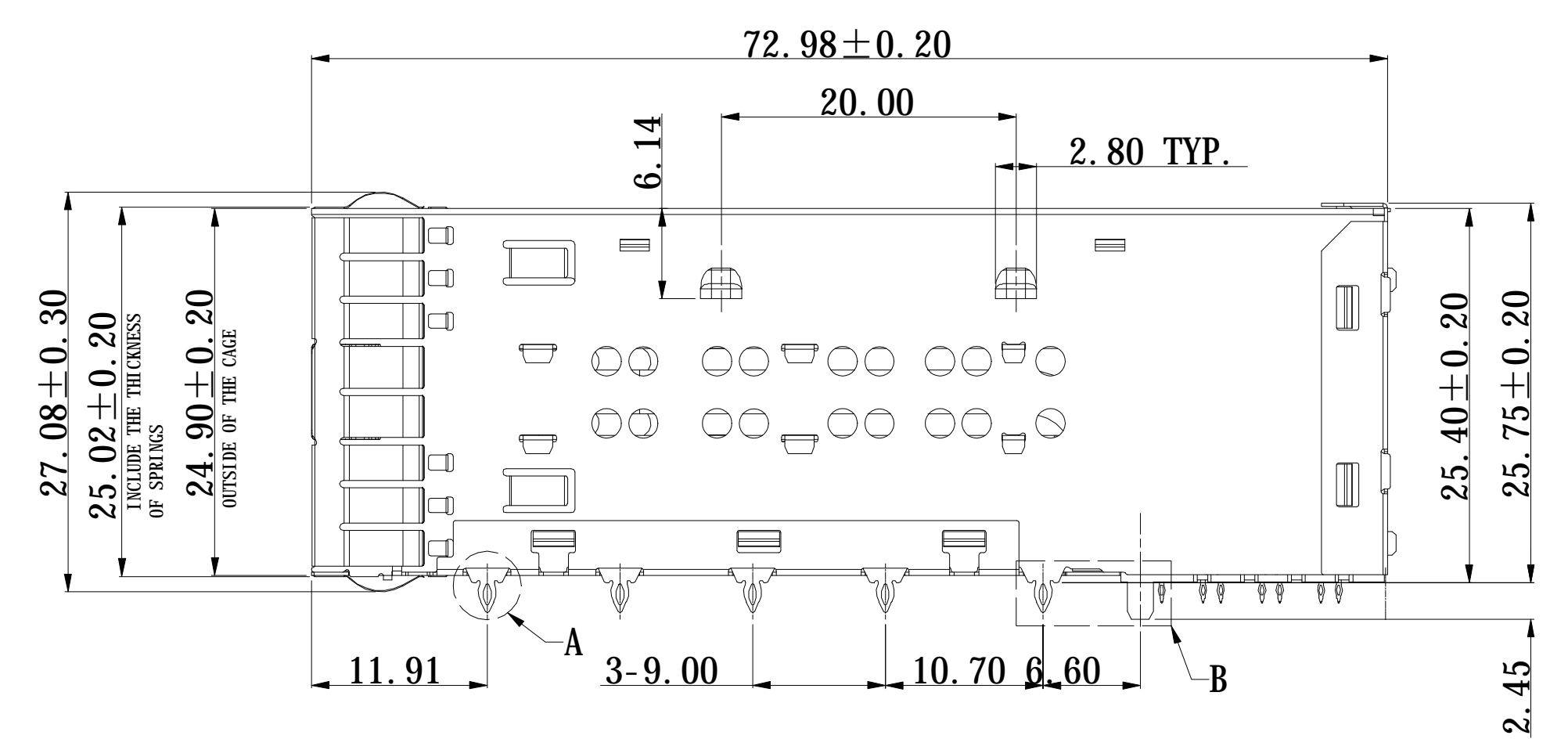
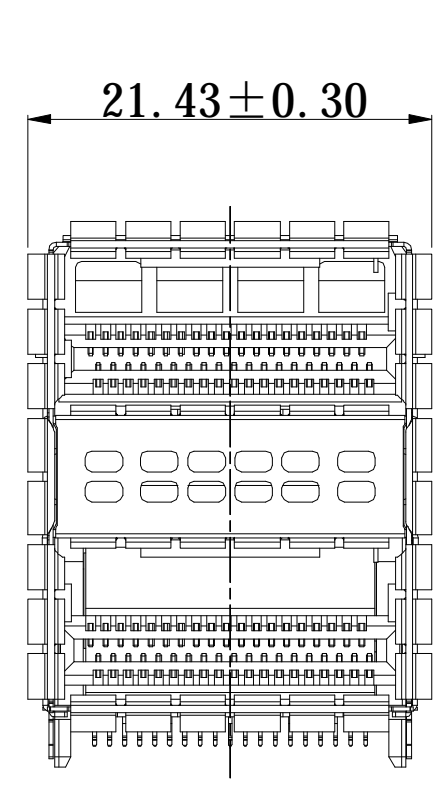
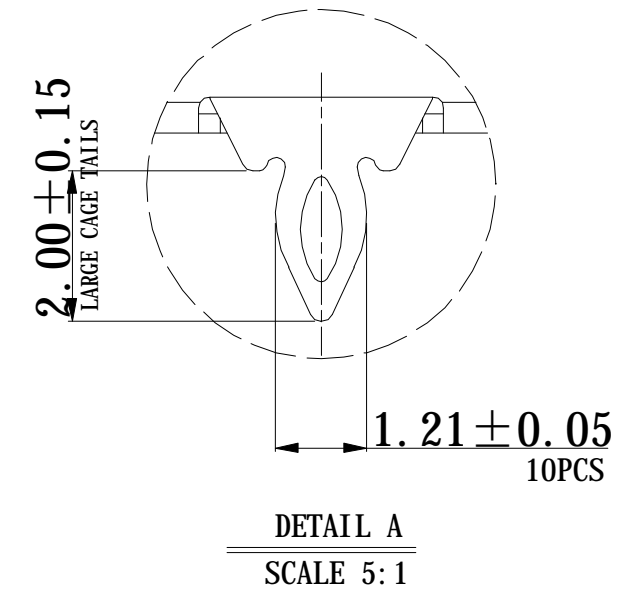
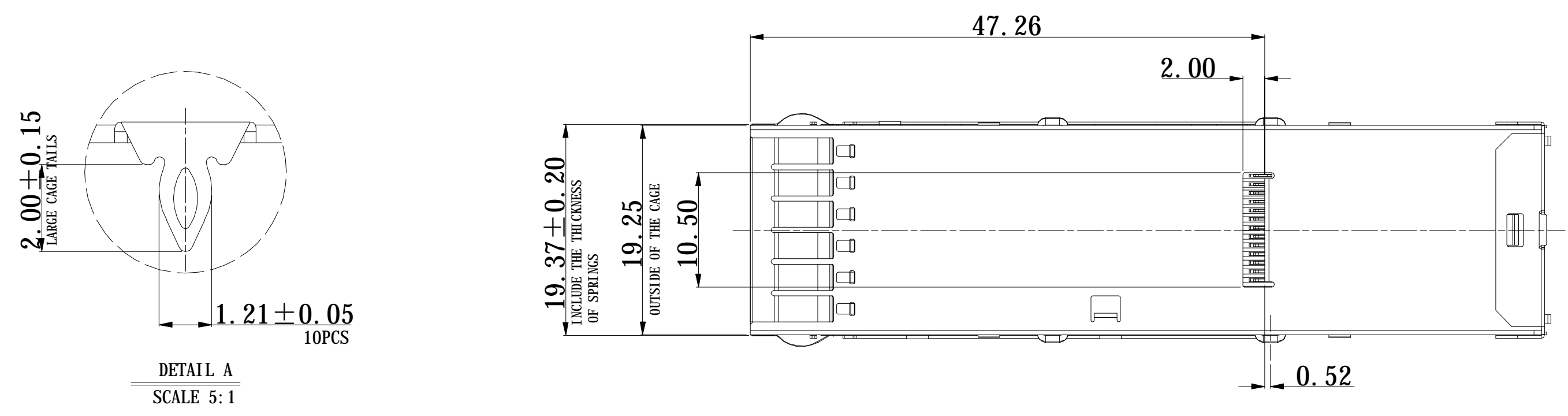


REV	DESCRIPTION OF CHANGE	REVIEWED BY	ISSUE DATE
A	FIRST ISSUE	LEO	2020-01-02

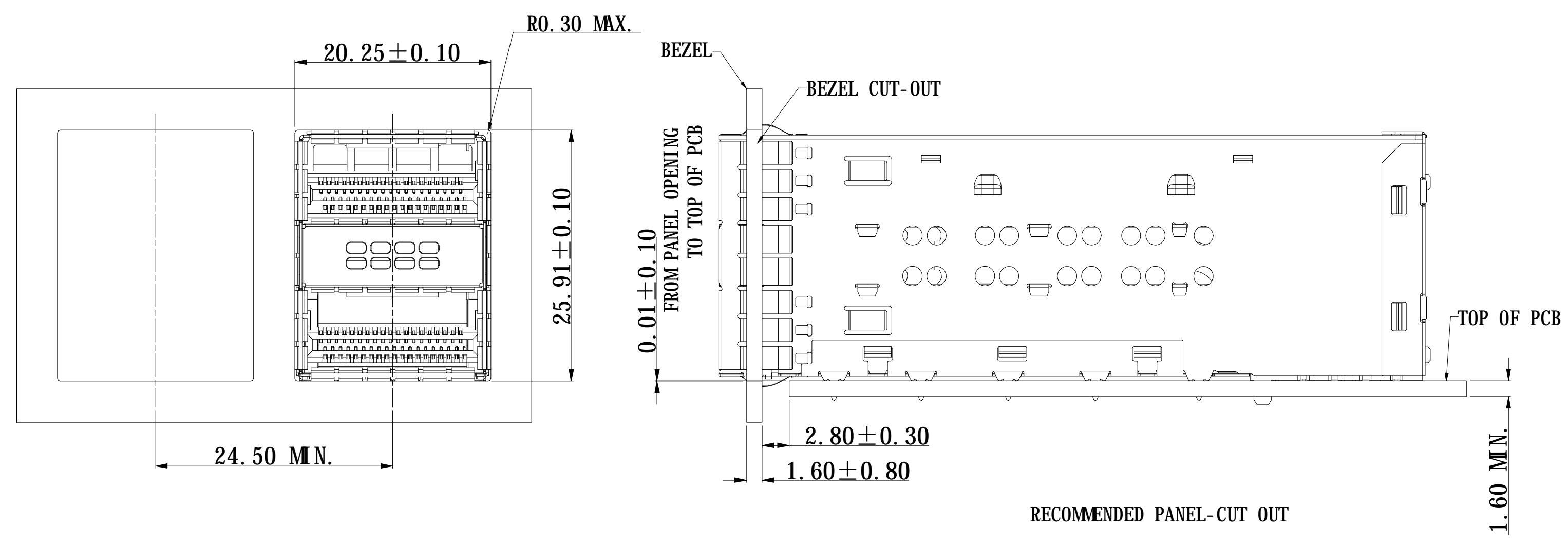
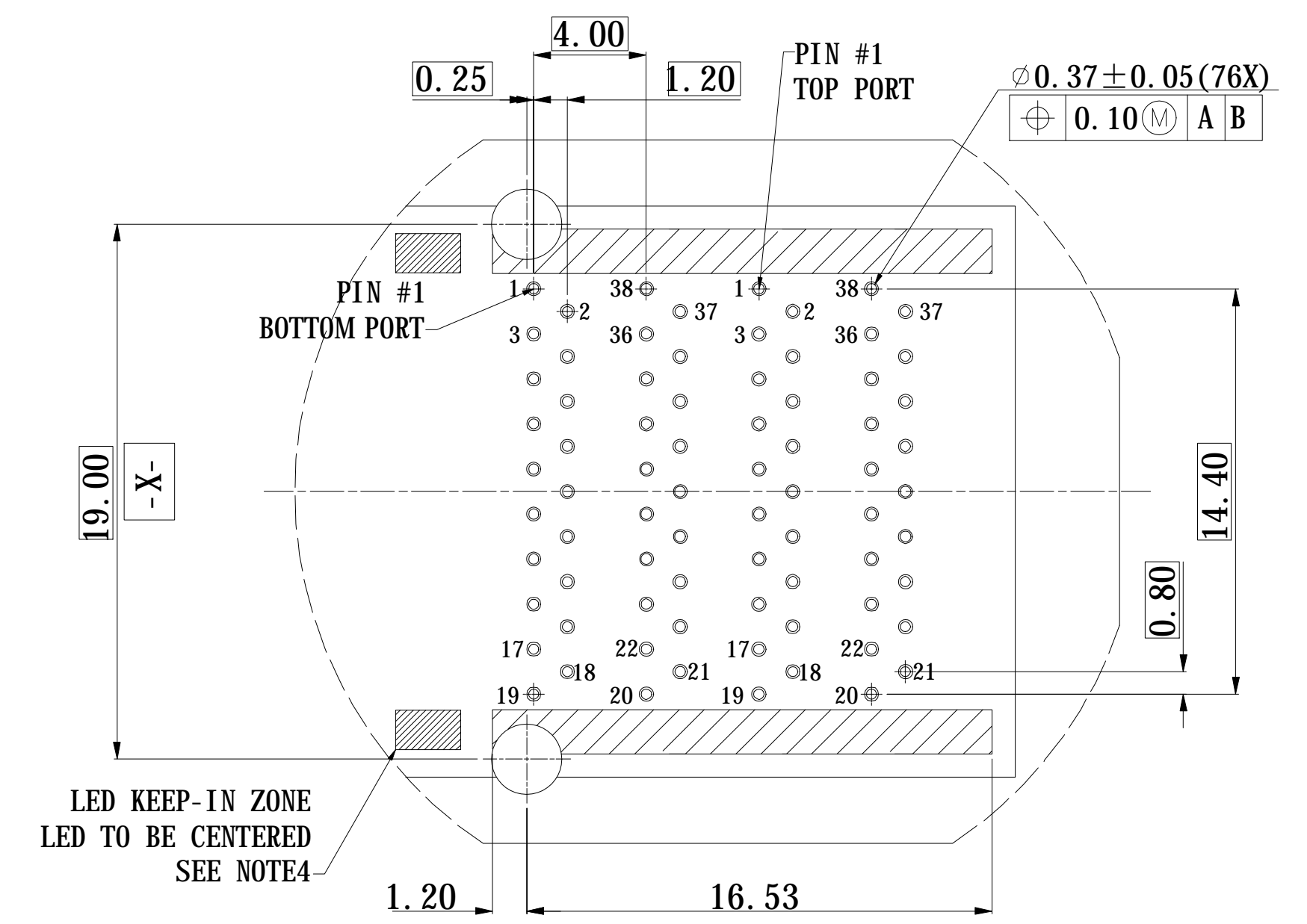
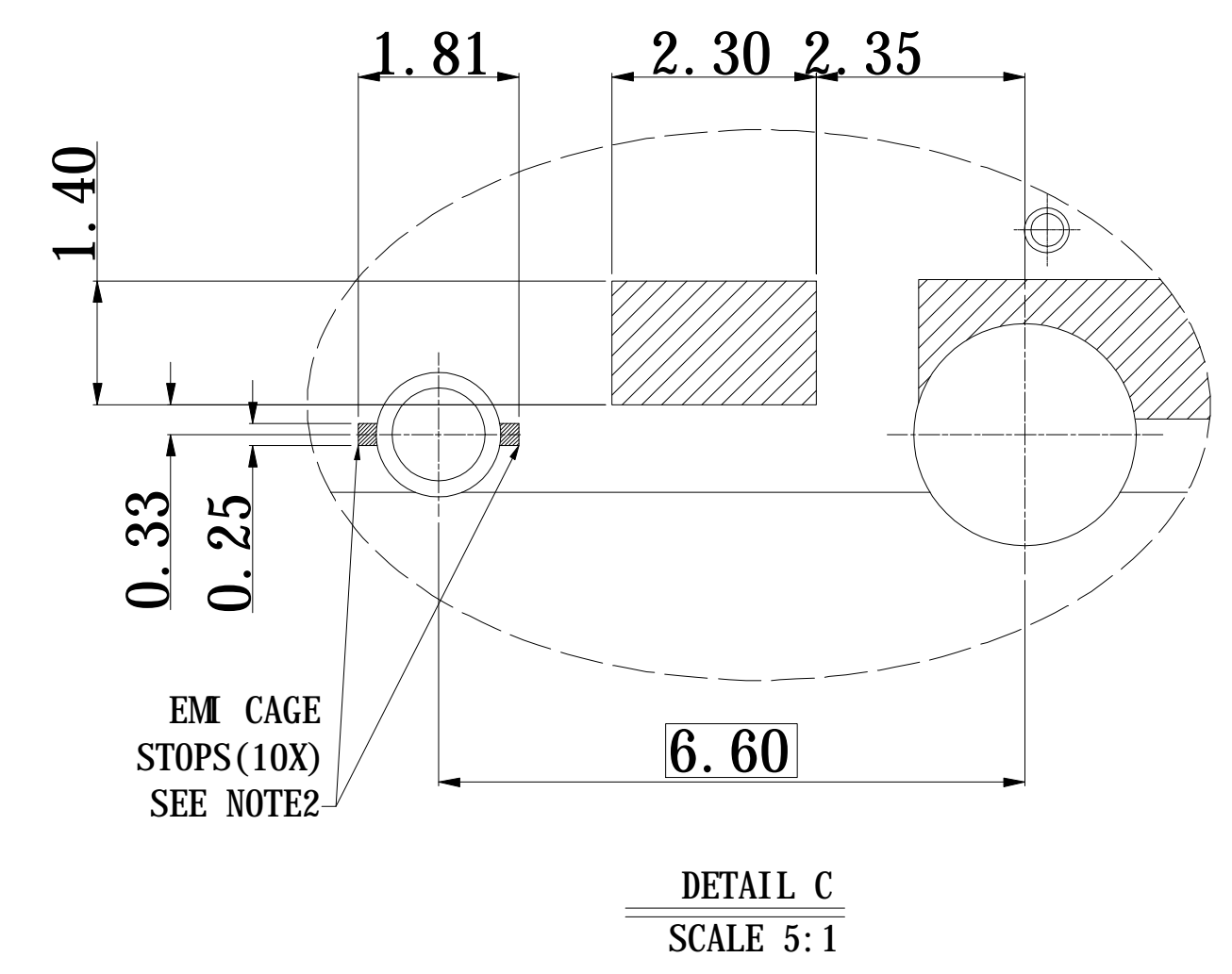
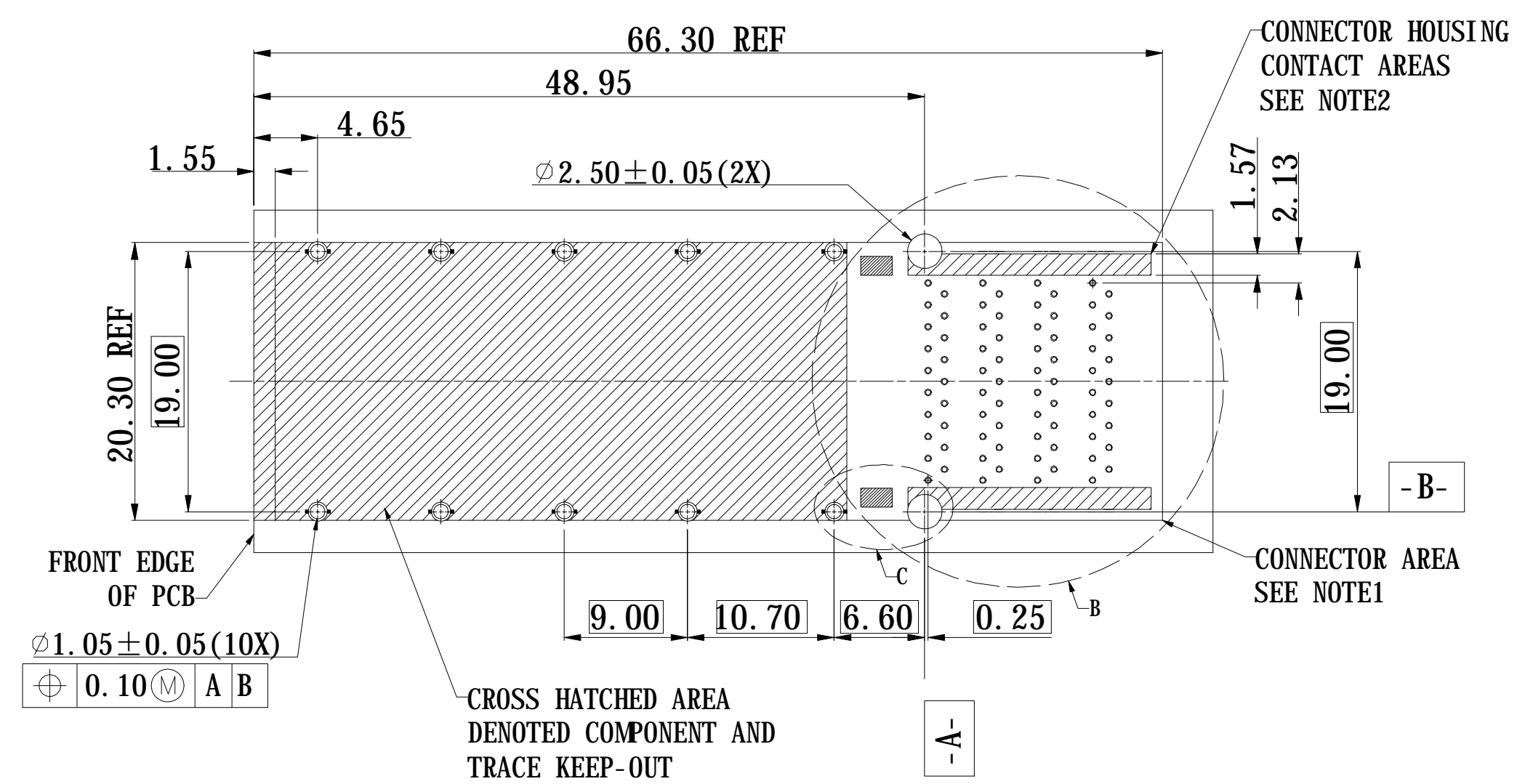


NOTES:

- MATERIAL:
 CAGE: COPPER ALLOY, THICKNESS: 0.25mm;
 EMI SPRING FINGERS: BERYLLIUM COPPER, THICKNESS: 0.06mm REF;
 LIGHT PIPES: POLYCARBONATE;
 CONNECTOR HOUSING: GLASS FILED THERMOPLASTIC, UL: 94V-0, COLOR: BLACK;
 TERMINALS: HIGH PERFORMANCE COPPER ALLOY.
- FINISH:
 CAGE: 0.762-1.27um NICKLE OVERALL;
 EMI SPRING FINGERS: 1.27-2.032um NICKLE OVERALL;
 TERMINALS: 0.762um Min GOLD PLATING OVER NICKLE IN CONTACT AREA (SALT SPRAY TEST MEET 48 HOURS);
 COMPLIANT TAIL: 2.54-3.556um TIN OVER NICKLE.
- PACKAGING:
 PRODUCT PACKAGED IN TRAYS AND CARTONS.



TITLE			QSFP+ 2X1 CAGE & CONNECTOR WITH EMI SPRING FINGER		LINK-PP INT'L TECHNOLOGY CO., LIMITED			
PART NO.			LP21DC01003S		GENNERAL TOLERANCE		UNIT:MM	SIZE:A4
APPROVE	CHECK	DRAW	° X±0.20	° X±1°	SCALE:1:1	SHEET:1/2	REV:A	
LEO	JAMES	JAMES	° XX±0.15	° XX±5°				
			° XXX±0.10					



- NOTES:
1. THE ENTIRE AREA UNDER THE CONNECTOR(DASHED LINES) IS TO BE CONSIDERED A KEEP-OUT AREA FOR COMPONENTS.
 2. HATCHED AREAS REPRESENT ZONES ON THE PCB THAT COME IN CONTACT WITH OR THE CONNECTOR CAGE. INDICATED AREAS TO BE CONSIDERED TRACE FREE.
 3. PIN NUMBERS ARE PER THE STANDARD.
BOTH PORTS ARE IN THE SAME(UP-UP) MOUDULE ORIENTATION.
 4. LED KEEP-IN ZONE DEFINES THE PHYSICAL SPACE ALLOWER FOR PLACEMENT OF SMD CHIP STYLE LED PACKAGES INCLUDING SMD MOUNTING PADS.KEEP-IN ZONE EXTENDS VERTICALLY TO 0.8mm ABOVE THE TOP SIDE OF BOARD.



TITLE			QSFP+ 2X1 CAGE & CONNECTOR WITH EMI SPRING FINGER		LINK-PP INT'L TECHNOLOGY CO., LIMITED			
PART NO.			LP21DC01003S		GENNERAL TOLERANCE		UNIT:MM	SIZE:A4
APPROVE	CHECK	DRAW	° X±0.20	° X±1°	SCALE:1:1	SHEET:2/2	REV:A	
LEO	JAMES	JAMES	° XX±0.15	° XX±5°				
			° XXX±0.10					