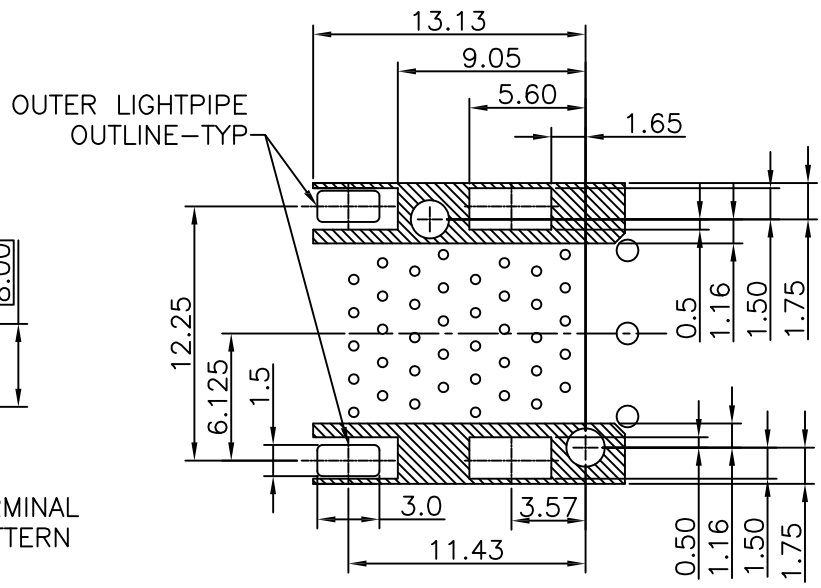


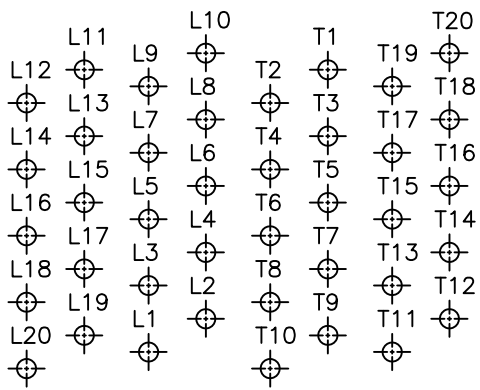
RECOMMENDED PCB LAYOUT – COMPONENT SIDE  
 RECOMMENDED PCB THICKNESS : 2.36MM(.093 INCH)  
 THE ENTIRE AREA OF THE CONNECTOR FOOTPRINT  
 TO BE CONSIDERED THE KEEP OUT AREA FOR COMPONENTS  
 (OTHER THAN LIGHT PIPE LED'S)  
 THIS AREA IS INDICATED BY THE DASHED LINE



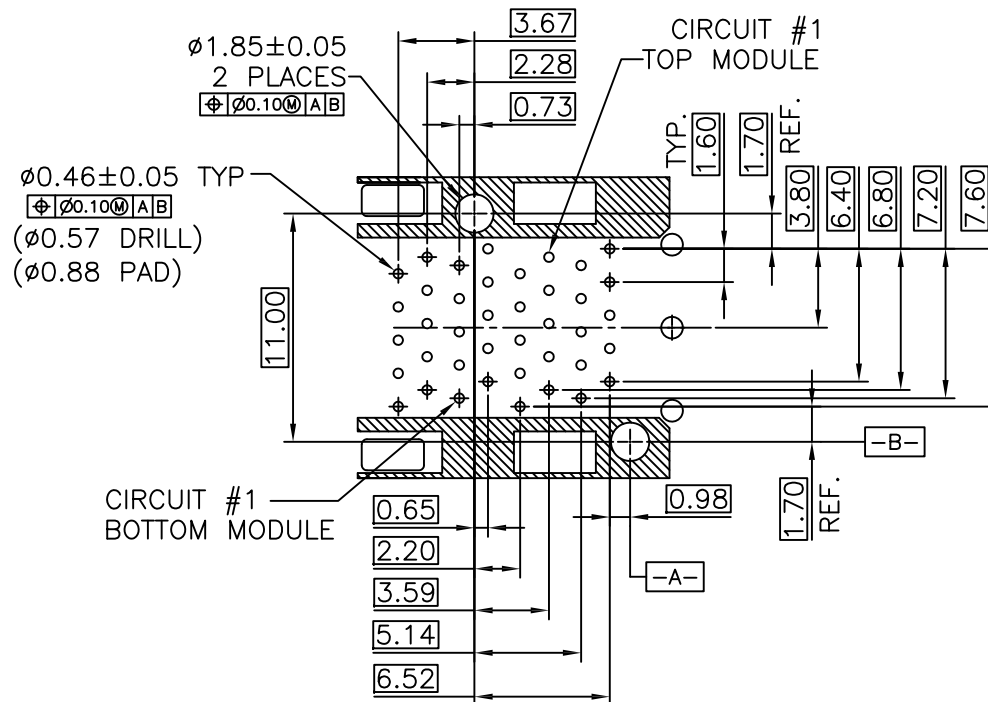
THE HATCHED AREA IN THIS VIEW INDICATES ZONES  
 THAT ARE OCCUPIED BY THE PLASTIC HOUSING THAT  
 SEATS AGAINST THE PCB AND BY THE VERTICAL METAL  
 CAGE WALL THAT STOPS JUST SHORT OF THE PCB



TITLE			SFP+ 2X1 CAGE+CONNECTOR		LINK-PP INT'L TECHNOLOGY CO., LIMITED		
PART NO.			LP21BC01301		GENERAL TOLERANCE	UNIT:MM	SIZE: A4
APPROVE	CHECK	DRAW	.X±0.20	.X±1'	SCALE: 1:1	SHEET:2/4	REV:A
James	Kevin	Kevin	.XX±0.15	.XX±5'			
			.XXX±0.10				



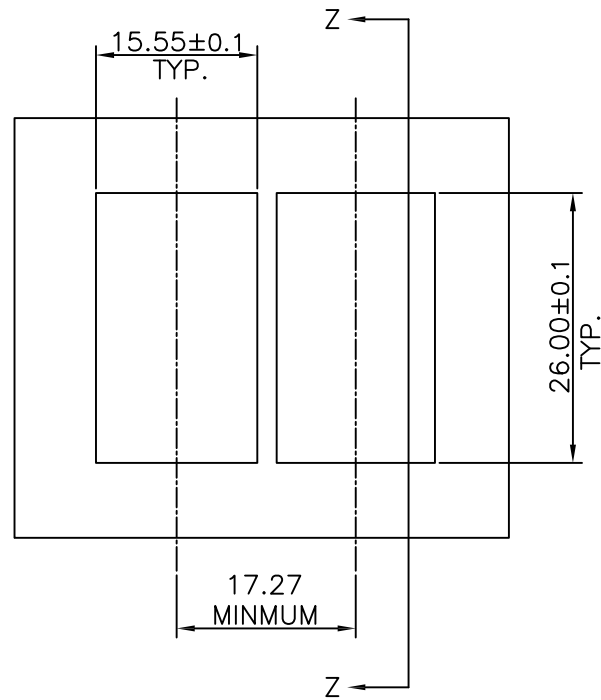
CIRCUIT NUMBERING  
COMPONENT SIDE OF BOARD



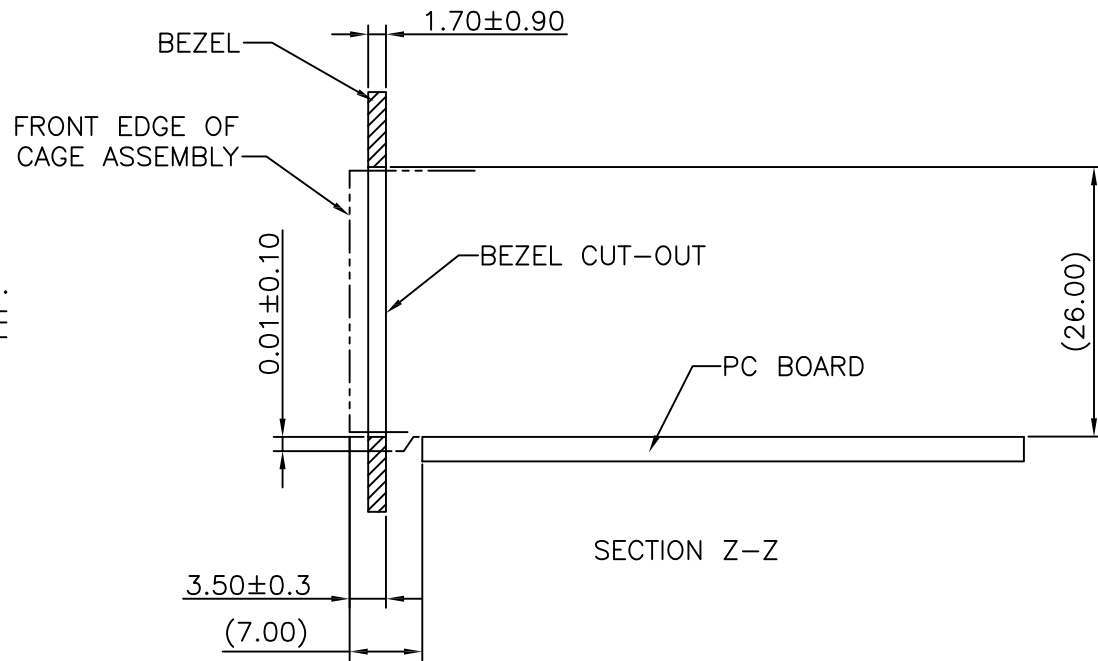
TERMINAL TAIL PATTERN



TITLE			LINK-PP INT'L TECHNOLOGY CO., LIMITED		
SFP+ 2X1 CAGE+CONNECTOR					
PART NO.			GENERAL TOLERANCE		UNIT:MM
LP21BC01301					SIZE: A4
APPROVE	CHECK	DRAW	.X±0.20	.X±1'	SCALE: 1:1
James	Kevin	Kevin	.XX±0.15	.XX±5'	
			.XXX±0.10		
			SCALE: 1:1		SHEET:3/4
					REV:A



BEZEL CUT-OUT CENTER SPACING DETAIL



TITLE			SFP+ 2X1 CAGE+CONNECTOR		LINK-PP INT'L TECHNOLOGY CO., LIMITED			
PART NO.			LP21BC01301		GENERAL TOLERANCE		UNIT:MM	SIZE: A4
APPROVE	CHECK	DRAW	.X±0.20	.X±1'	SCALE: 1:1		SHEET:4/4	REV:A
James	Kevin	Kevin	.XX±0.15	.XX±5'				
			.XXX±0.10					