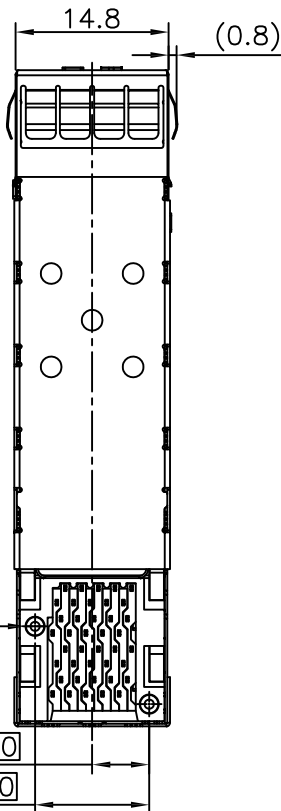
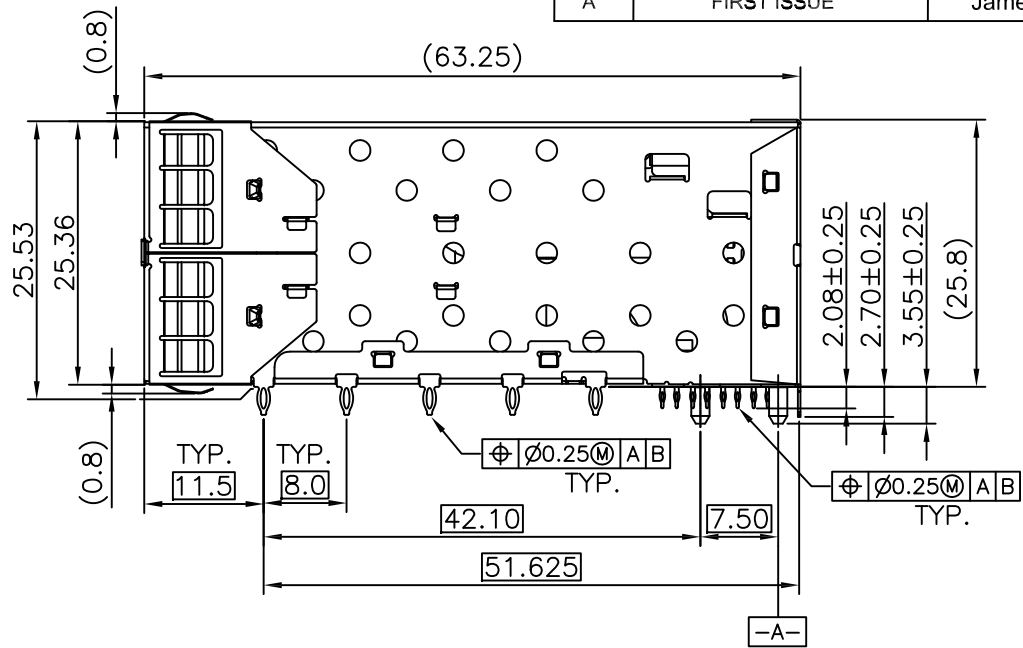
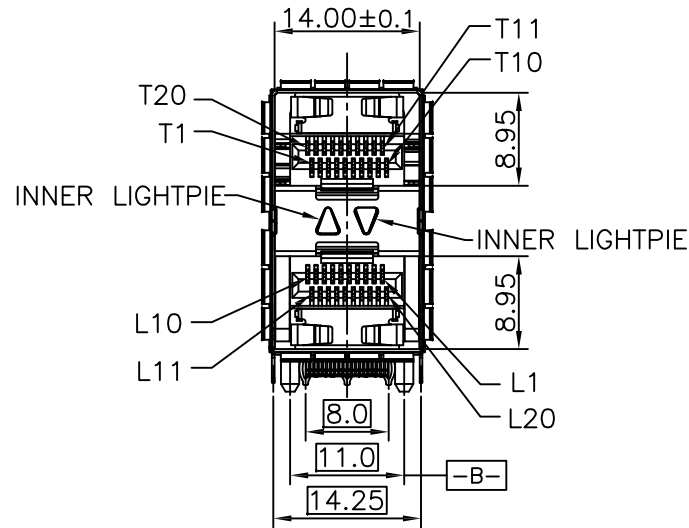


REV	DESCRIPTION OF CHANGE	REVIEWED BY	ISSUE DATE
A	FIRST ISSUE	James	2021-08-01



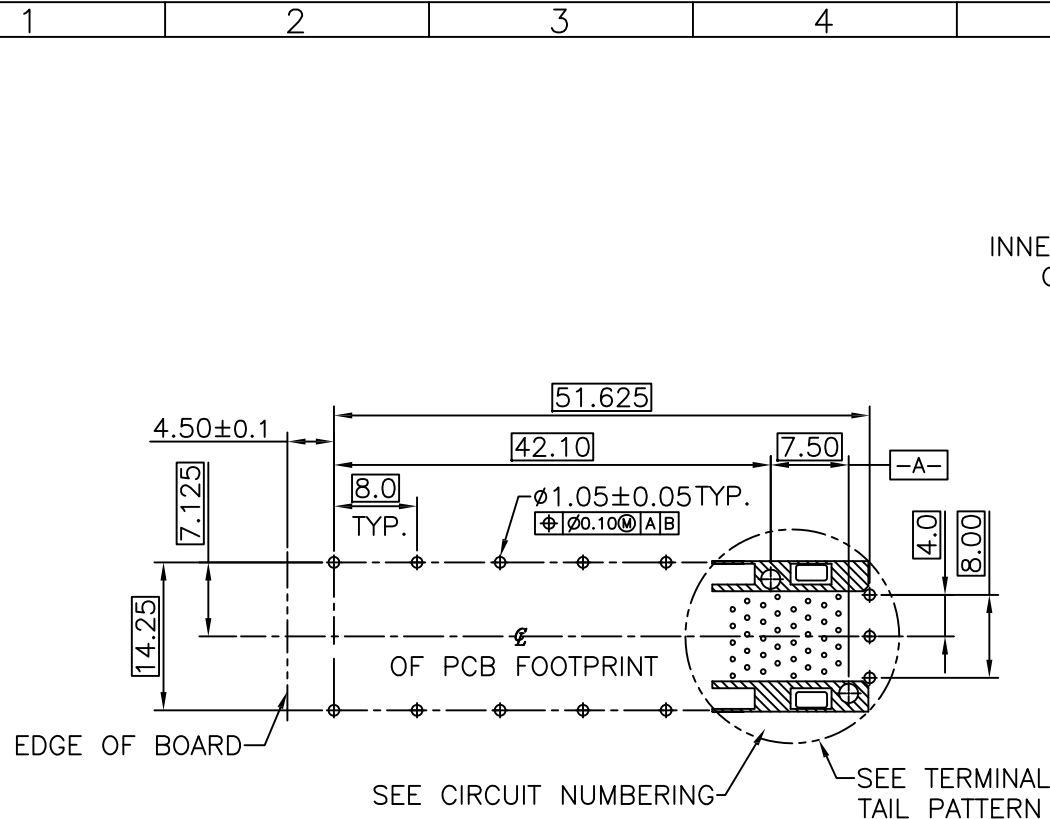
NOTES:

MATERIAL:

- CAGE: COPPER ALLOY 30u" MIN NI-PLATED, THICKNESS 0.25 MM
- CONNECTOR: PLASTIC HOUSING: HIGH TEMPERATURE LCP, UL94 V-0.
- LIGHT PIPE: POLYCARBONATE; COLOR: CLEAR
- SPRING: STAINLESS STEEL, THICKNESS 0.20mm
- CONTACTS: PHOSPHOR BRONZE, THICKNESS 0.20mm
- PLATING: 15µ" MIN. GOLD ON MATING AREA, 150µ" MIN. MATE TIN ON SOLDER TAILS.
- PACKAGING: TRAY PACKAGING.
- TEMPERATURE RANGE: -40°C TO +85°C
- STORAGE TEMPERATURE: -55°C TO +105°C

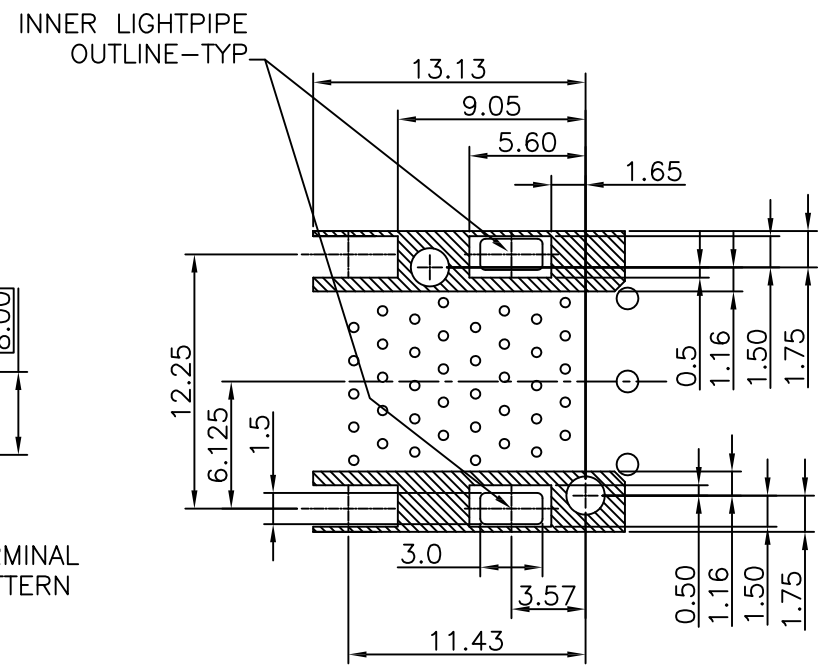


TITLE			LINK-PP INT'L TECHNOLOGY CO., LIMITED			
SFP+ 2X1 CAGE+CONNECTOR						
PART NO.		LP21BC01201	GENERAL TOLERANCE		UNIT:MM	SIZE: A4
APPROVE	CHECK	DRAW	.X±0.20	.X±1'	SCALE: 1:1	SHEET:1/4
James	Kevin	Kevin	.XX±0.15	.XX±5'		
			.XXX±0.10			



RECOMMENDED PCB LAYOUT – COMPONENT SIDE
 RECOMMENDED PCB THICKNESS : 2.36MM(.093 INCH)

THE ENTIRE AREA OF THE CONNECTOR FOOTPRINT
 TO BE CONSIDERED THE KEEP OUT AREA FOR COMPONENTS
 (OTHER THAN LIGHT PIPE LED'S)
 THIS AREA IS INDICATED BY THE DASHED LINE

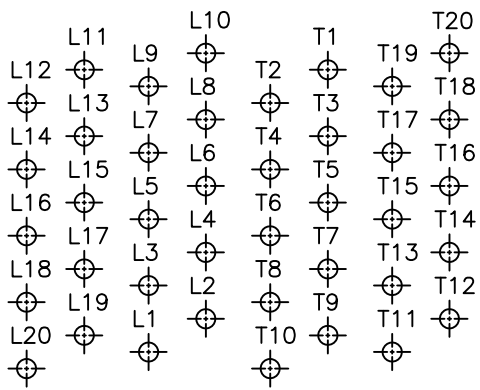


DETAIL-KEEPOUT ZONES

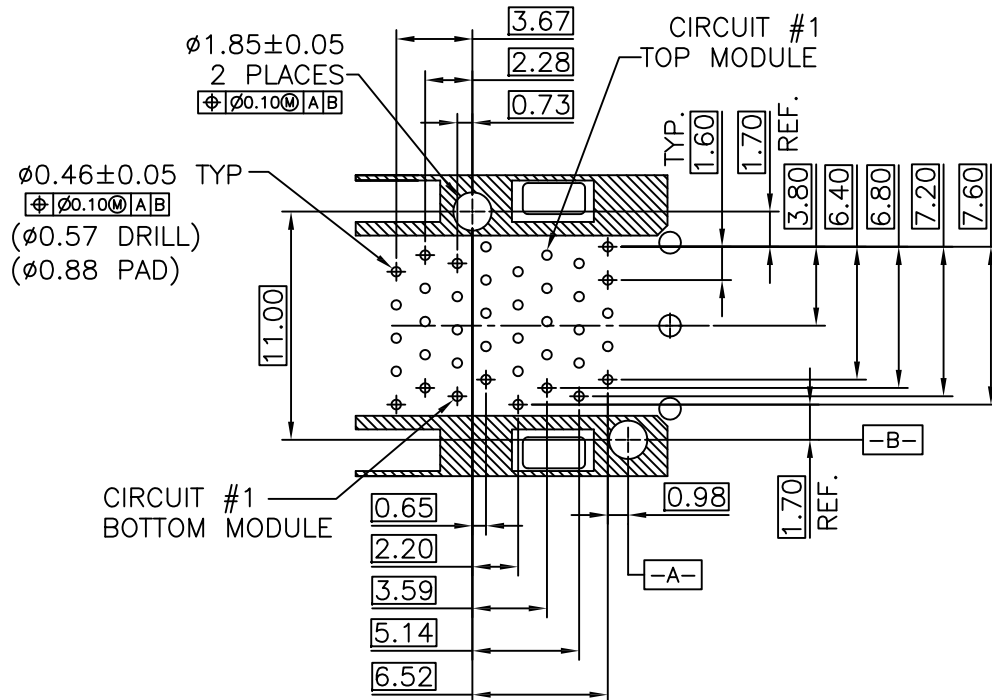
THE HATCHED AREA IN THIS VIEW INDICATES ZONES
 THAT ARE OCCUPIED BY THE PLASTIC HOUSING THAT
 SEATS AGAINST THE PCB AND BY THE VERTICAL METAL
 CAGE WALL THAT STOPS JUST SHORT OF THE PCB



TITLE			SFP+ 2X1 CAGE+CONNECTOR		LINK-PP INT'L TECHNOLOGY CO., LIMITED		
PART NO.			LP21BC01201		GENERAL TOLERANCE	UNIT:MM	SIZE: A4
APPROVE	CHECK	DRAW	.X±0.20	.X±1'	SCALE: 1:1	SHEET:2/4	REV:A
James	Kevin	Kevin	.XX±0.15	.XX±5'			
			.XXX±0.10				



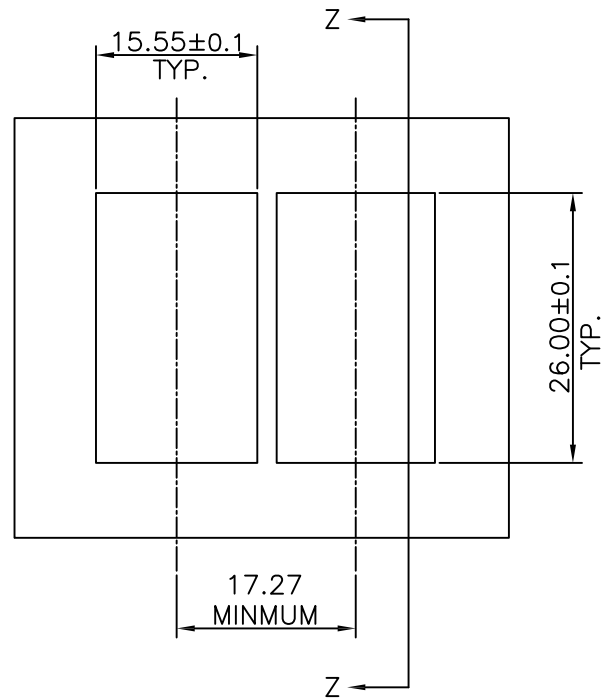
CIRCUIT NUMBERING
COMPONENT SIDE OF BOARD



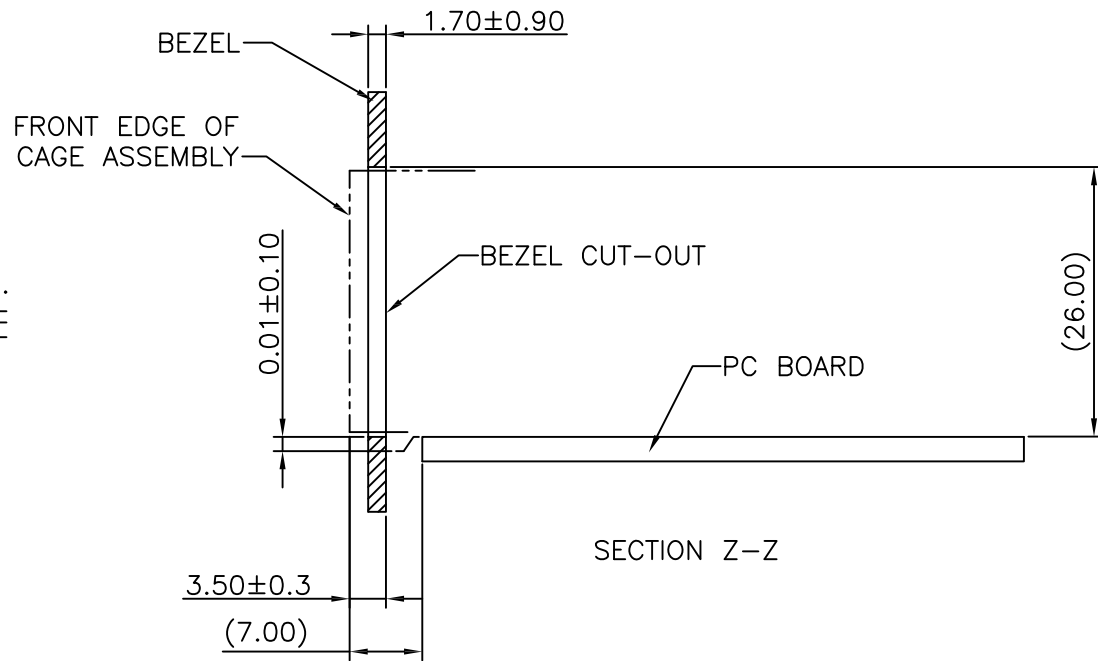
TERMINAL TAIL PATTERN



TITLE			SFP+ 2X1 CAGE+CONNECTOR		LINK-PP INT'L TECHNOLOGY CO., LIMITED			
PART NO.			LP21BC01201		GENERAL TOLERANCE		UNIT:MM	SIZE: A4
APPROVE	CHECK	DRAW	.X±0.20	.X±1'	SCALE: 1:1		SHEET:3/4	REV:A
James	Kevin	Kevin	.XX±0.15	.XX±5'				
			.XXX±0.10					



BEZEL CUT-OUT CENTER SPACING DETAIL



TITLE			SFP+ 2X1 CAGE+CONNECTOR		LINK-PP INT'L TECHNOLOGY CO., LIMITED			
PART NO.			LP21BC01201		GENERAL TOLERANCE		UNIT:MM	SIZE: A4
APPROVE	CHECK	DRAW	.X±0.20	.X±1'	SCALE: 1:1		SHEET:4/4	REV:A
James	Kevin	Kevin	.XX±0.15	.XX±5'				
			.XXX±0.10					