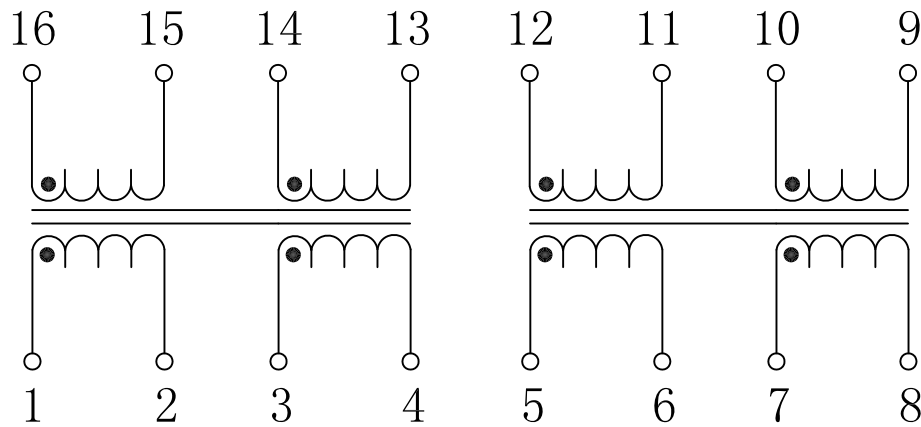


Schematic:

REV.	ECN NO.	DESCRIPTION	DATE	APPD
A	REL		2021-11-16	



Electrical Specifications @25°C

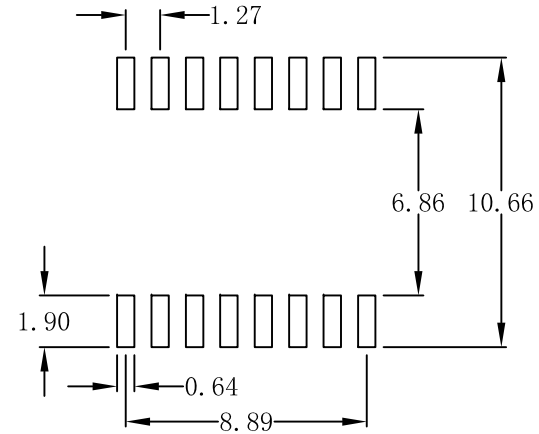
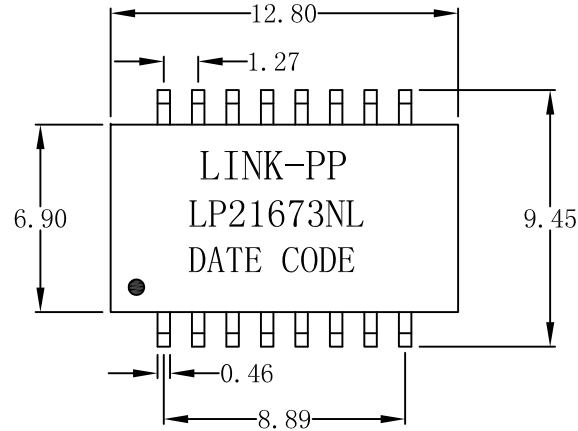
- Turns Ratio:
Pri : Sec = 1 : 1 ±2%
- Primary Pins: 1-2/3-4/5-6/7-8
- Primary OCL:
150uH Typ @100mV, 100KHz
- Primary LL: 0.20uH Max
- CWW:
Pri/Sec: 10pF Max
- DCR:
Pri: 0.3Ω Max
Sec: 0.3Ω Max
- Hipot: 1500Vrms
- Rise Time: 3.5nS Max
- Operating Temperature: 0°C ~ 70°C



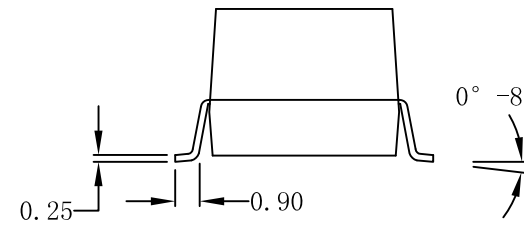
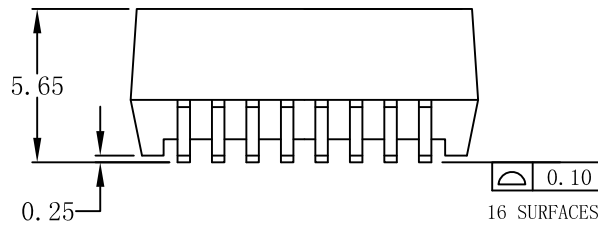
X:X	APPD:	LINK-PP INT'L TECHNOLOGY CO., LIMITED		
X:XX ±0.25	CHKD:	TITLE: 10 Base-T Single Port Transformer Modules		
X:XXX	DR: TOM	PART NO.: LP21673NL		
ANGLES ±1°	UNIT: mm	DWG NO.: LP2111608		
	SCALE: 2/1	SHEET: 1/2	REV: A	

Mechanical :

REV.	ECN NO.	DESCRIPTION	DATE	APPD
A	REL		2021-11-16	



SUGGESTED PAD LAYOUT



NOTES:

1. Designed to support application, such as SOHO (ADSL modems), LAN-on-Motherboard (LOM), hub and Switches.
2. Meets IEEE 802.3 specification.
3. Maximum reflow temperature is 250°C, 5 Sec.
4. UL certification: file number E484635.

X:X	APPD:	LINK-PP INT'L TECHNOLOGY CO., LIMITED		
X:XX ±0.25	CHKD:	TITLE: 10 Base-T Single Port Transformer Modules		
X:XXX	DR: TOM	PART NO.: LP21673NL		
ANGLES ±1°	UNIT: mm	DWG NO.: LP2111608		
	SCALE: 2/1	SHEET: 2/2	REV: A	