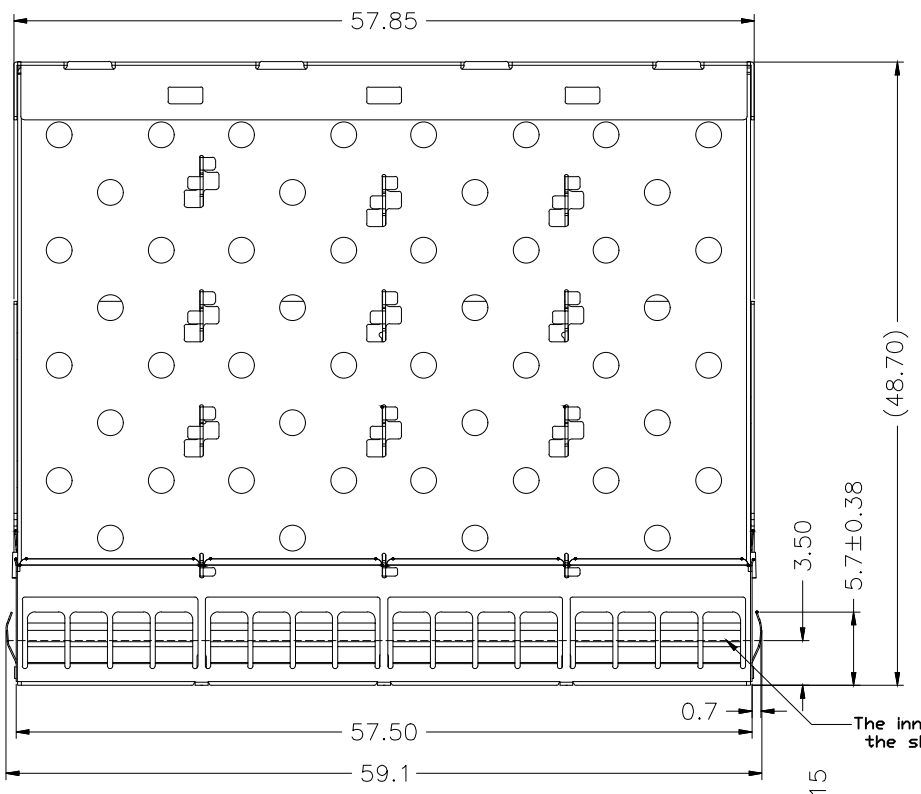
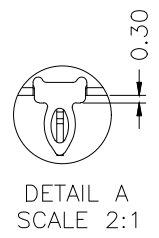
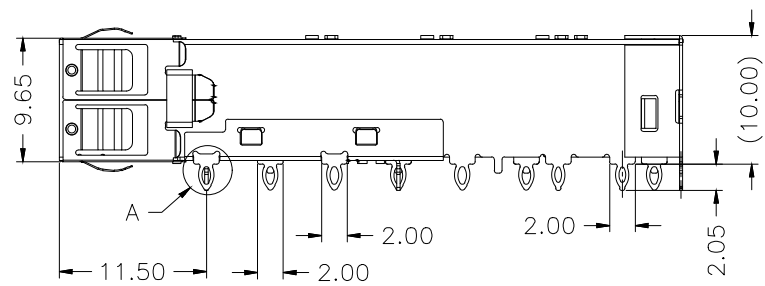
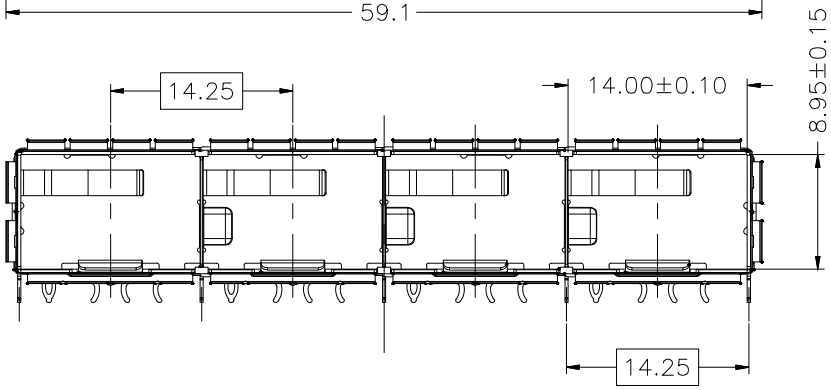
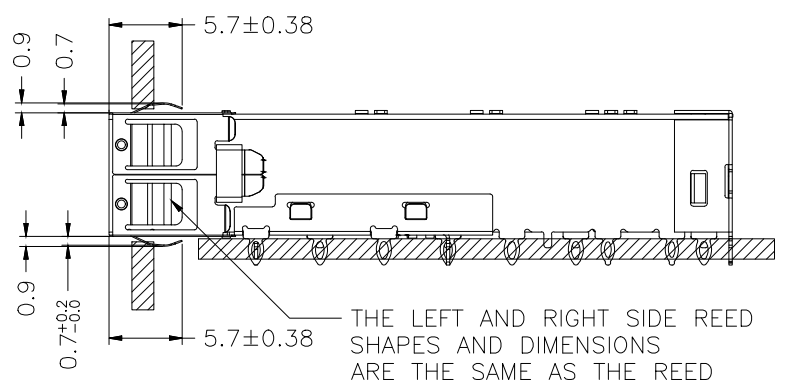


REV	DESCRIPTION OF CHANGE	REVIEWED BY	ISSUE DATE
A	FIRST ISSUE	LEO	2021-09-12



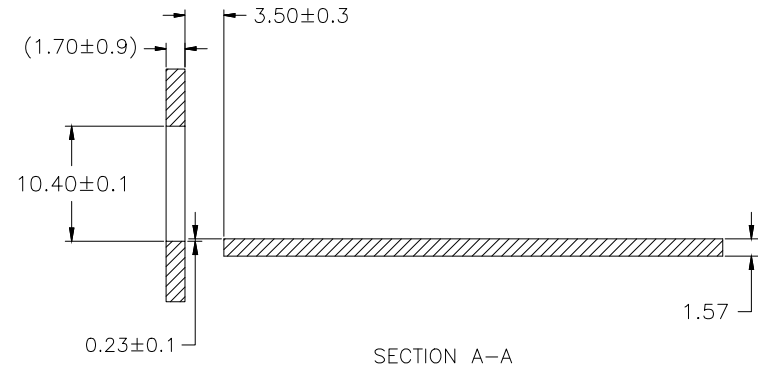
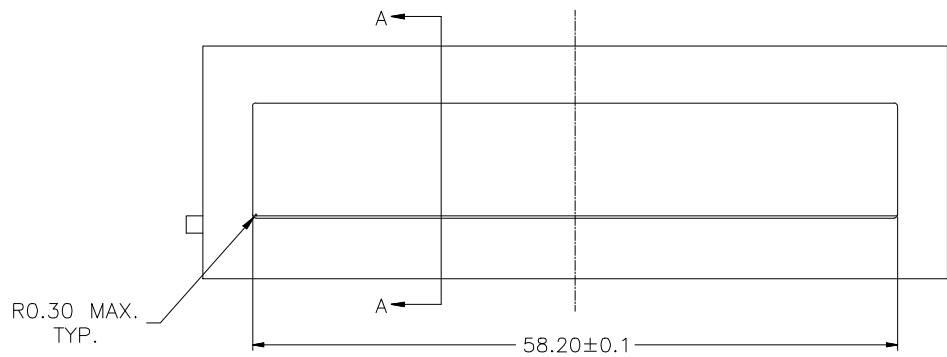
NOTES:  
 1.MATERIAL: COPPER ALLOY, THICKNESS 0.25mm  
 2.PACKAGING: TRAY PACKAGING  
 3.TEMPERATURE RANGE:  
 OPERATING : -40°C TO +85°C  
 NON OPERATING : -55°C TO +105°C



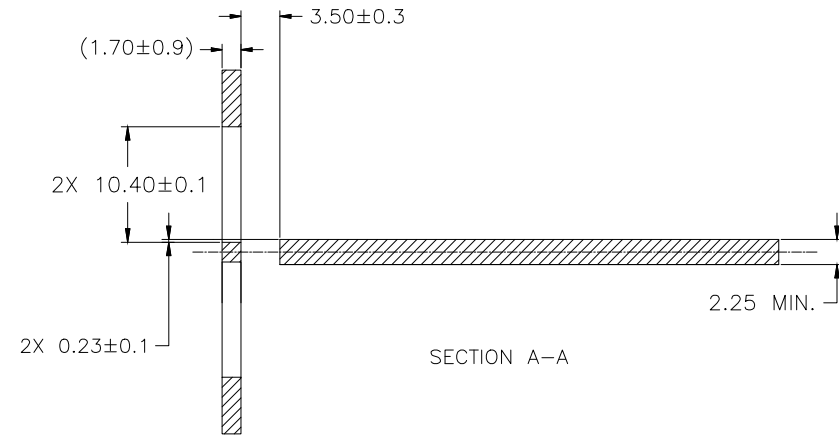
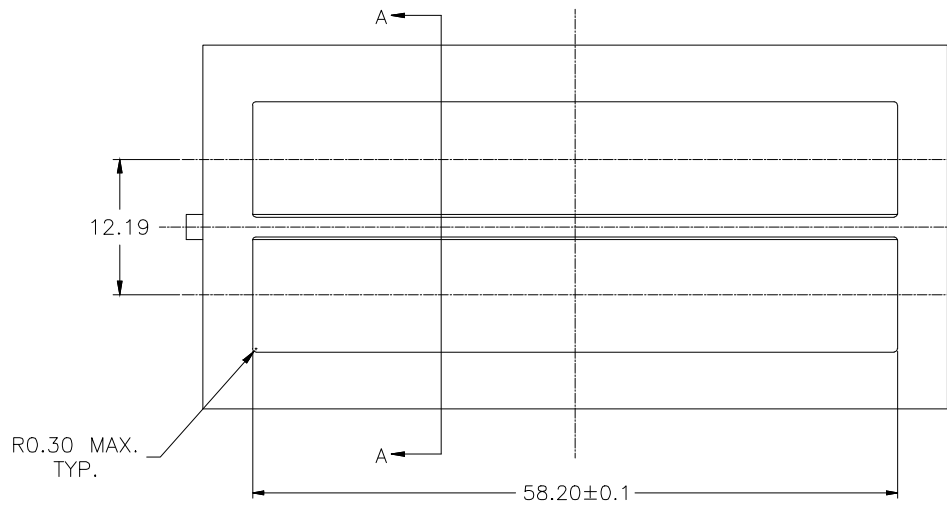
TITLE			SFP+ 1x4 CAGE WITH EMI SPRING FINGER		LINK-PP INT'L TECHNOLOGY CO., LIMITED			
PART NO.			LP14BC02000		GENNERAL TOLERANCE		UNIT:MM	SIZE:A4
APPROVE	CHECK	DRAW	• X±0.20	• X±1°	SCALE:1:1	SHEET:1/5	REV:A	
LEO	JAMES	JAMES	• XX±0.15	• XX±5°				
			• XXX±0.10					







RECOMMENDED BEZEL DESIGN  
SINGLE SIDED APPLICATIONS

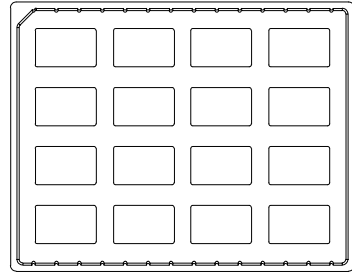


RECOMMENDED BEZEL DESIGN  
BELLY TO BELLY APPLICATIONS

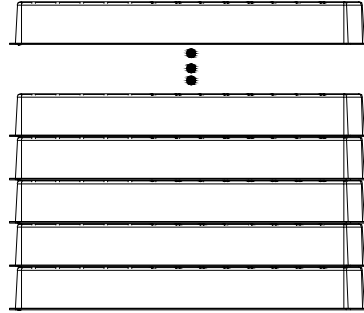


TITLE			SFP+ 1x4 CAGE WITH EMI SPRING FINGER		LINK-PP INT'L TECHNOLOGY CO., LIMITED			
PART NO.			LP14BC02000		GENNERAL TOLERANCE		UNIT:MM	SIZE:A4
APPROVE	CHECK	DRAW	• X±0.20	• X±1°	 SCALE:1:1	SHEET:4/5	REV:A	
LEO	JAMES	JAMES	• XX±0.15	• XX±5°				
			• XXX±0.10					

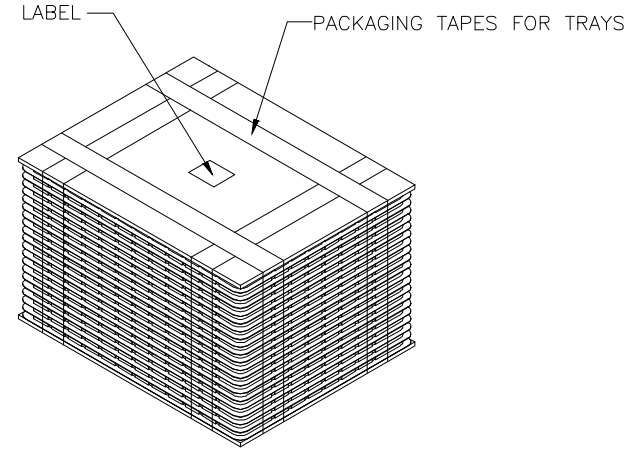
# PACKAGE INFORMATION AND LABEL



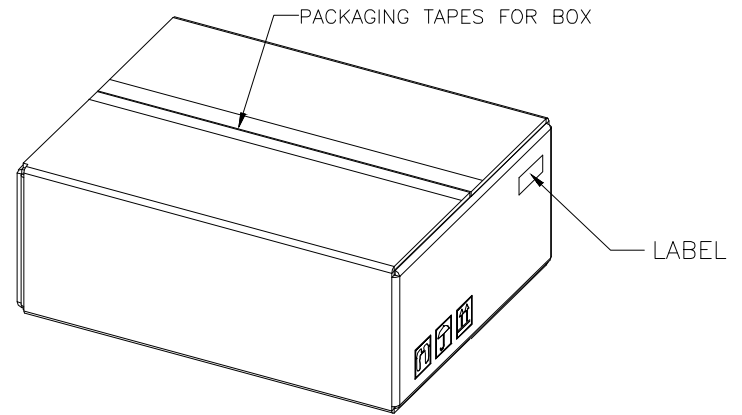
1. PRODUCTS IN TRAYS



2. TRAYS OVERLAY:  
(THE NEXT TRAY NEED ROTATE 180 DEGREE AND PUT IT ON PREVIOUS TRAY.)



3. LABEL & PACKAGING TAPES FOR TRAYS:



4. LABEL & PACKAGING TAPES FOR BOX

PACKAGING LISTS	
ITEM	Q'TY
PRODUCT	128 PCS
TRAY	8 PCS
BOX(L340*W265*H200MM)	1 PCS
LABLE	2 PCS
PACKAGING TAPES	8 M (ABOUT)



TITLE			SFP+ 1x4 CAGE WITH EMI SPRING FINGER		LINK-PP INT'L TECHNOLOGY CO., LIMITED			
PART NO.			LP14BC02000		GENNERAL TOLERANCE		UNIT:MM	SIZE:A4
APPROVE	CHECK	DRAW	◦ X±0.20	◦ X±1°	 SCALE:1:1	SHEET:5/5	REV:A	
LEO	JAMES	JAMES	◦ XX±0.15	◦ XX±5°				
			◦ XXX±0.10					