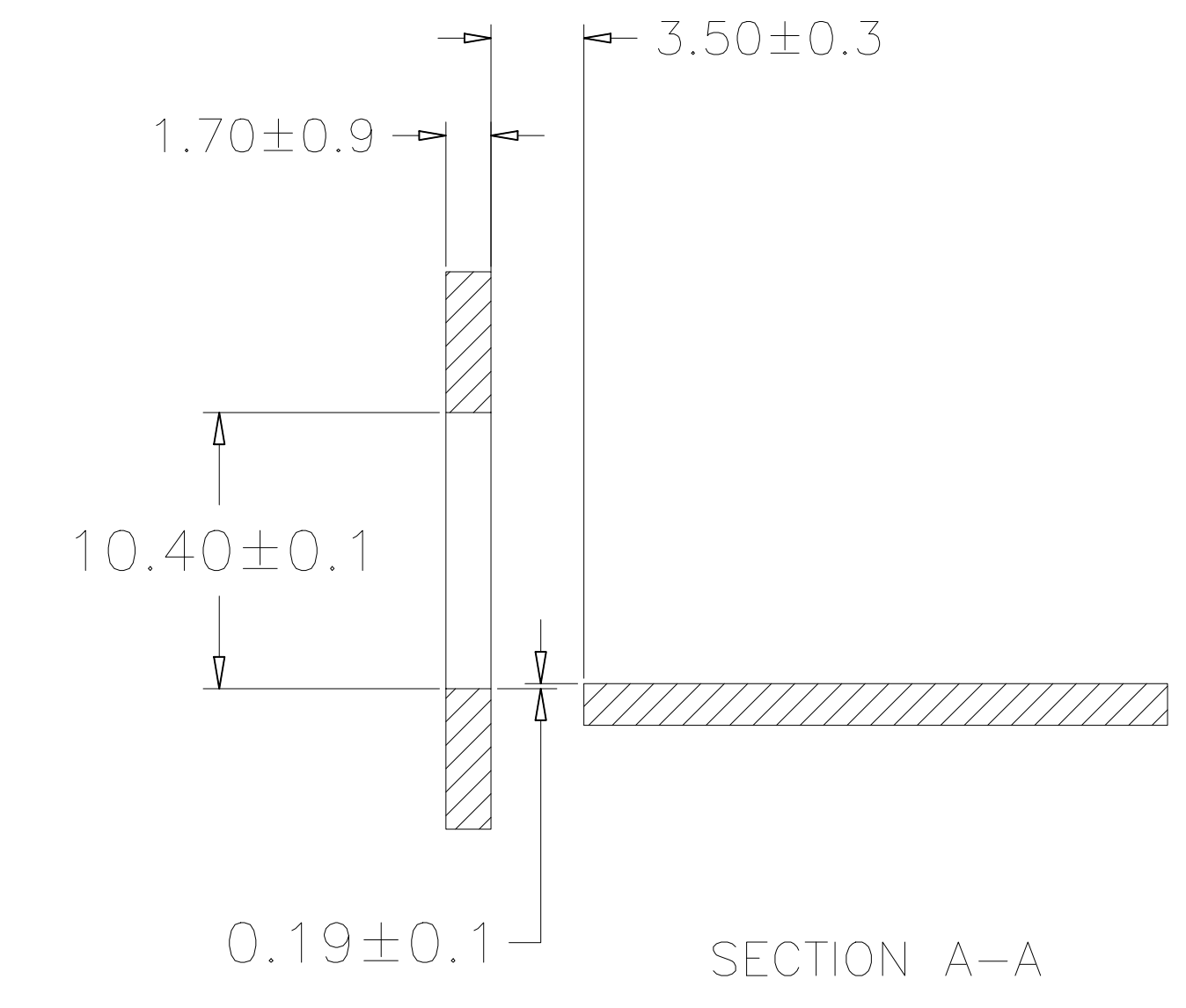
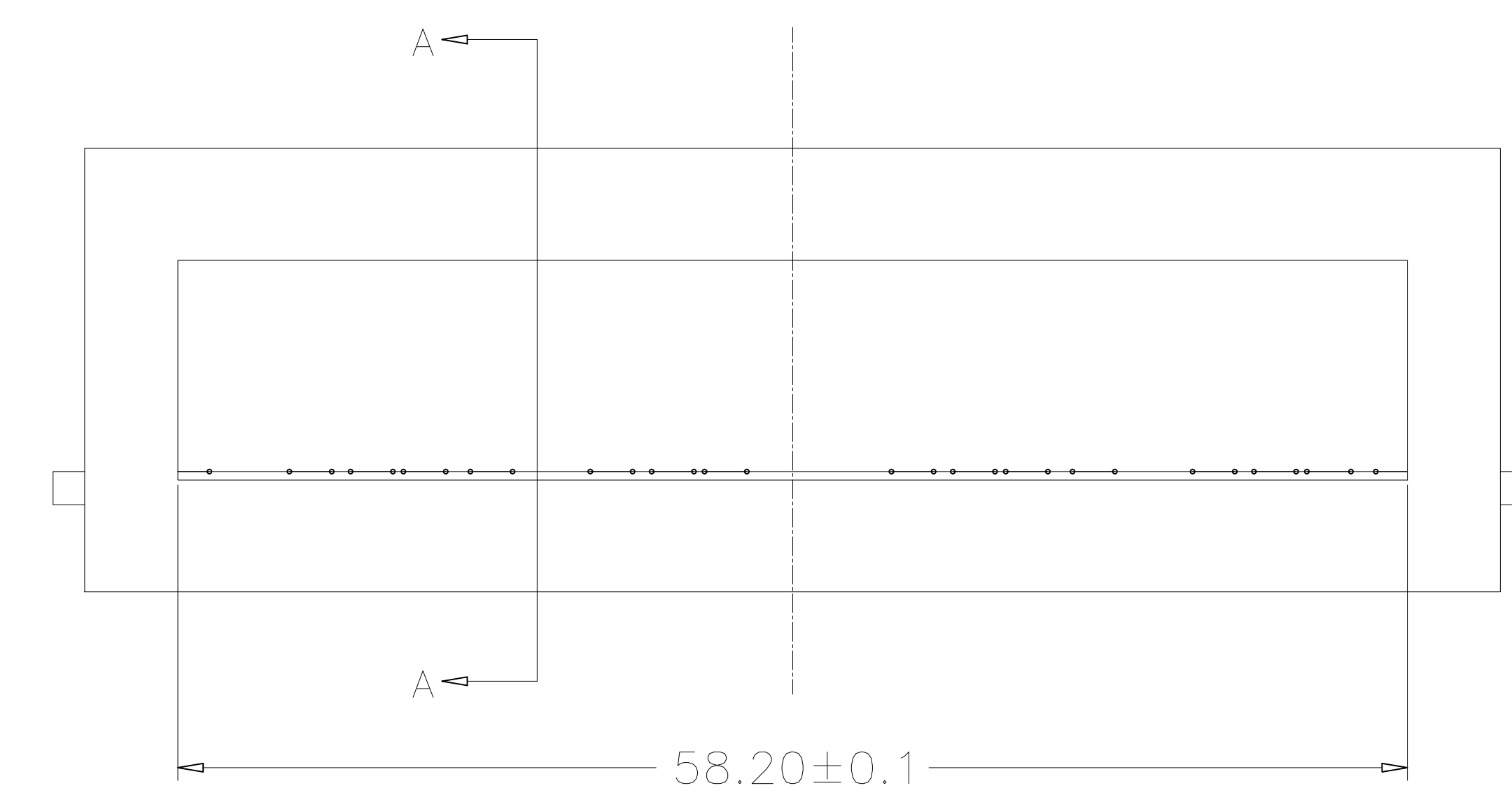
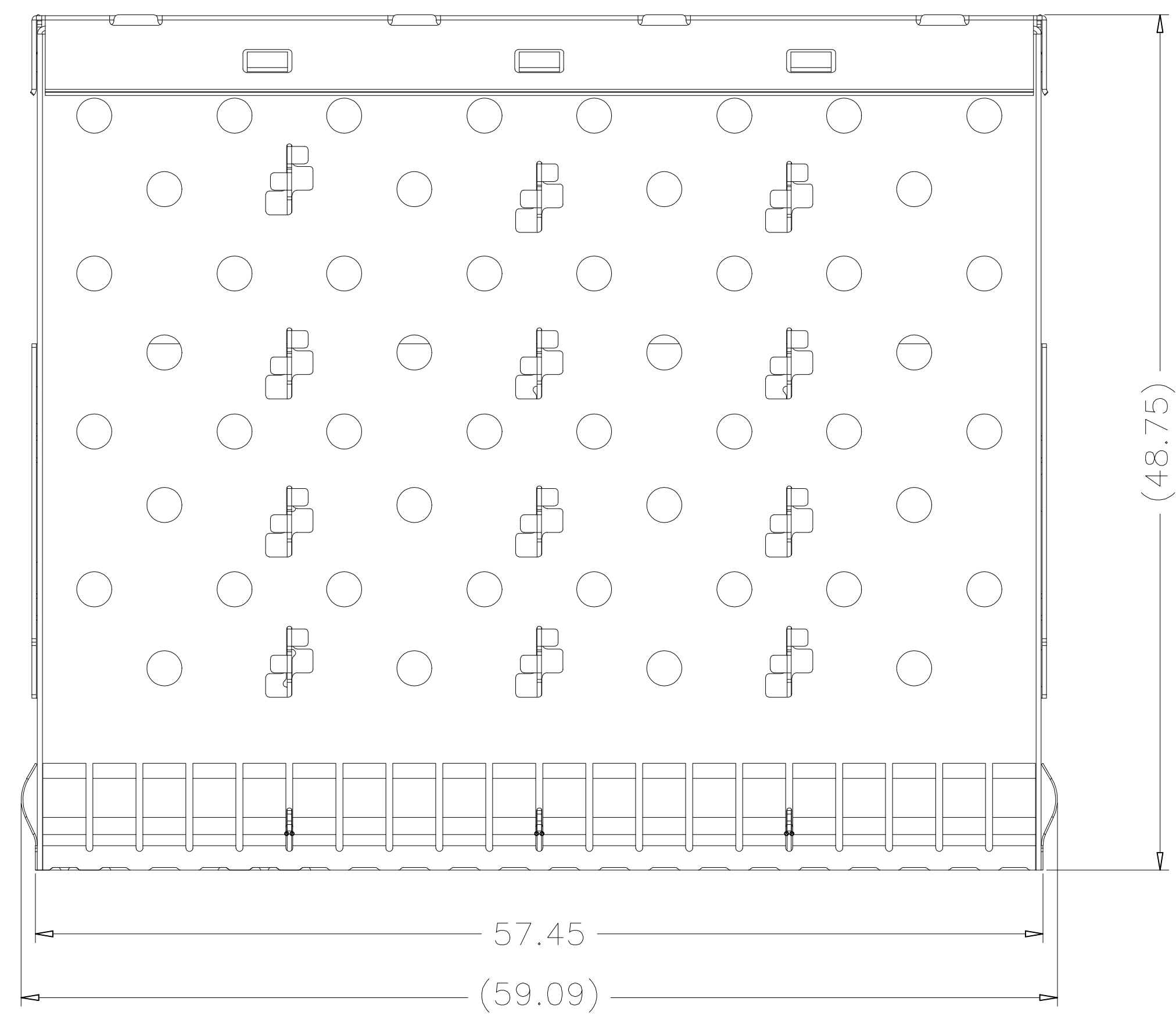
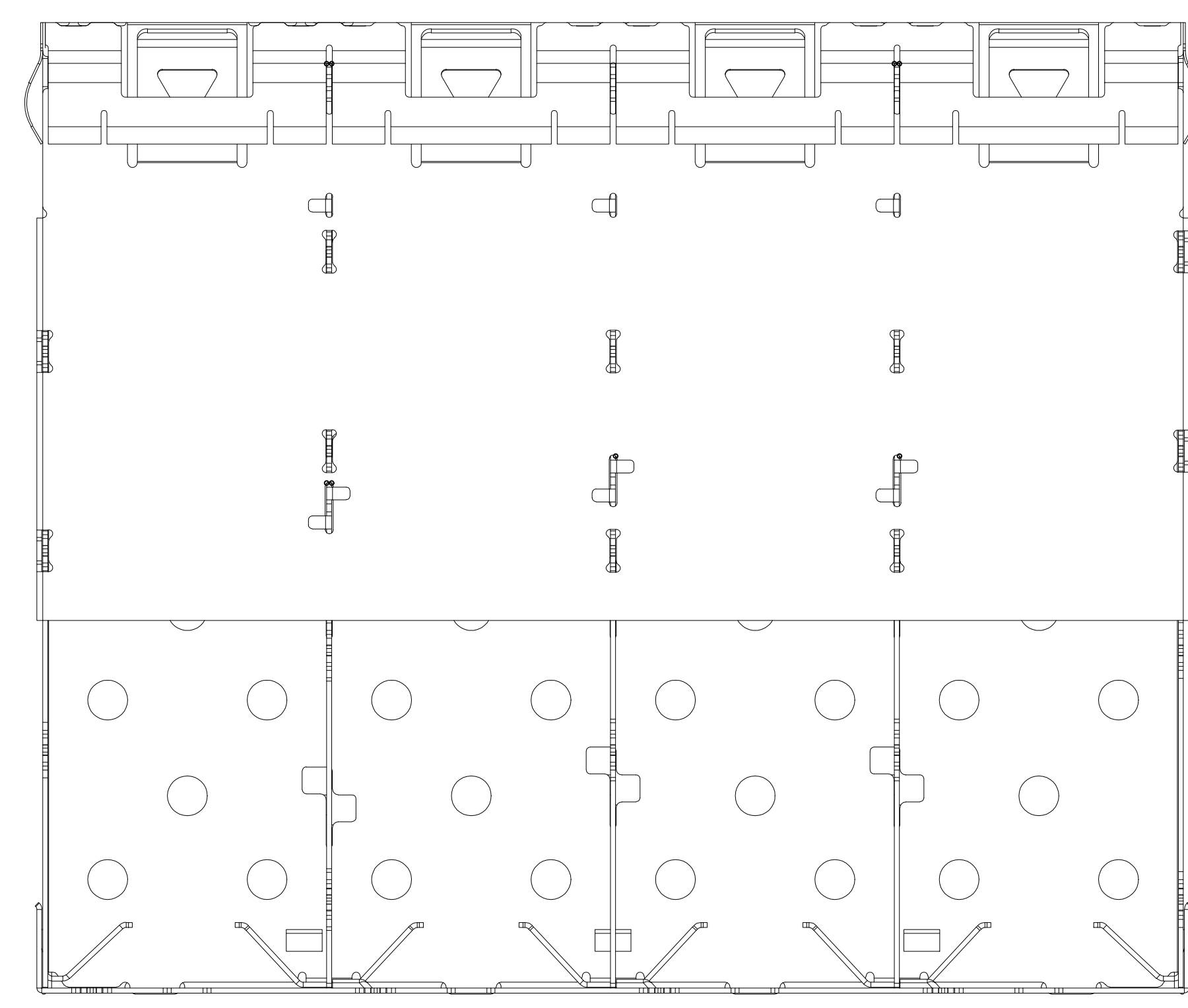
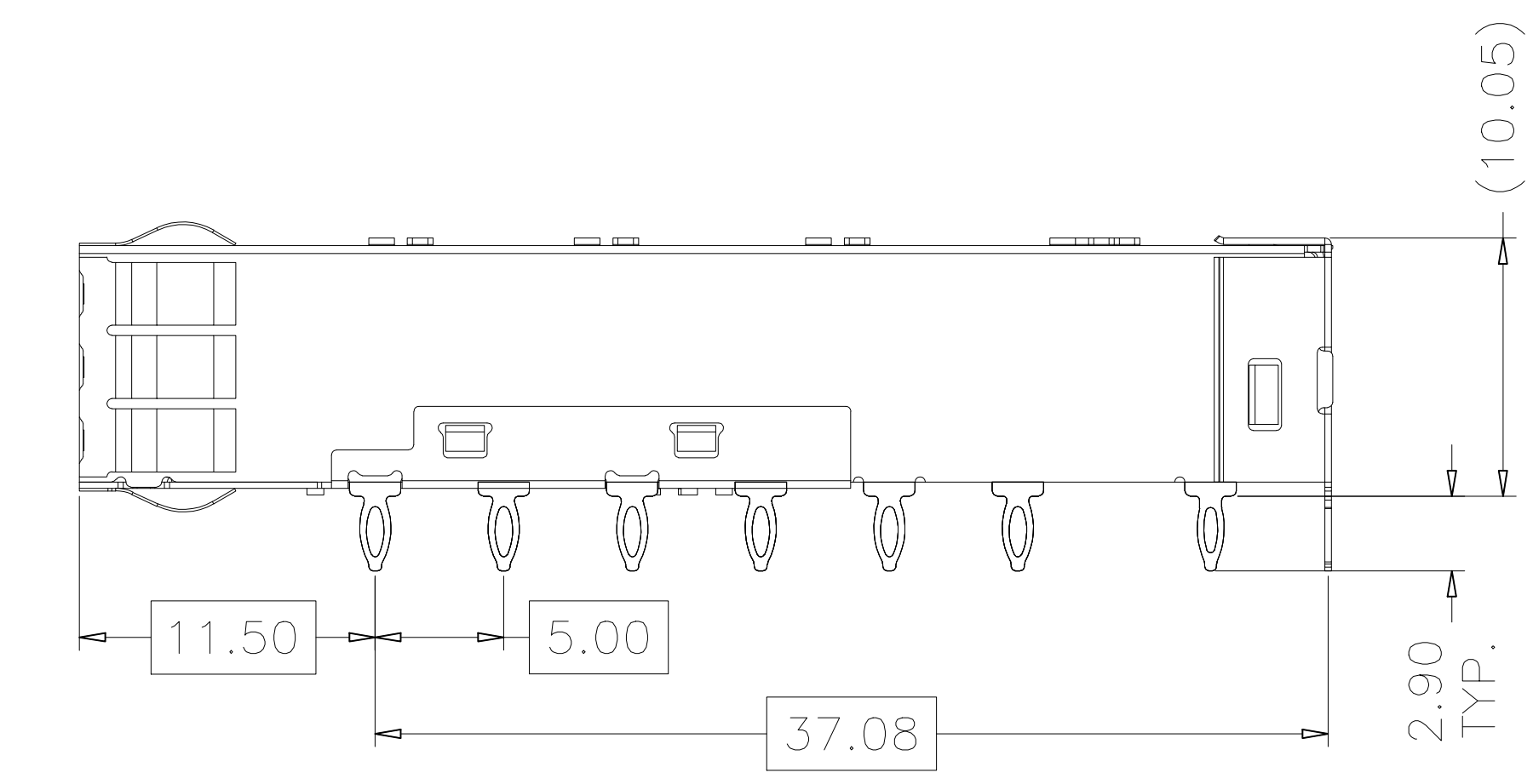
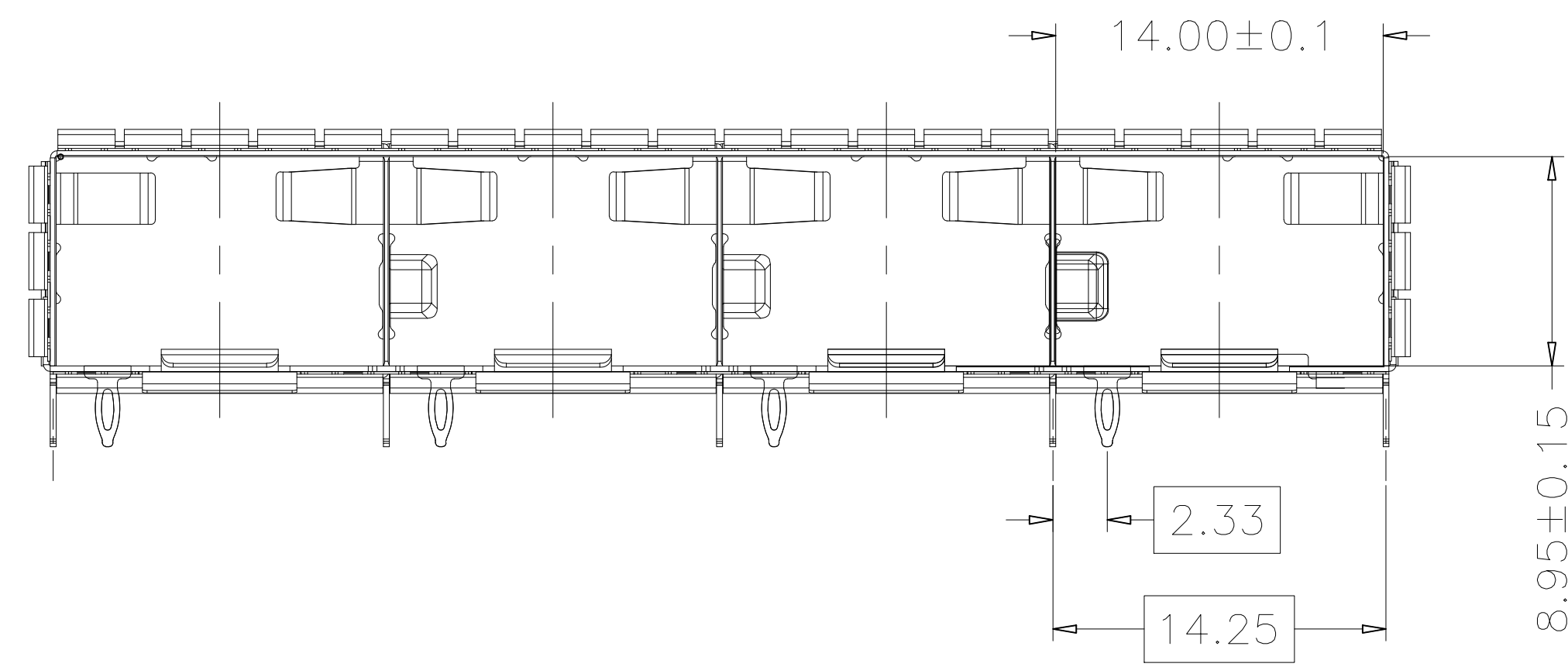


REV	DESCRIPTION OF CHANGE	REVIEWED BY	ISSUE DATE
A	FIRST ISSUE	LEO	2024-05-15

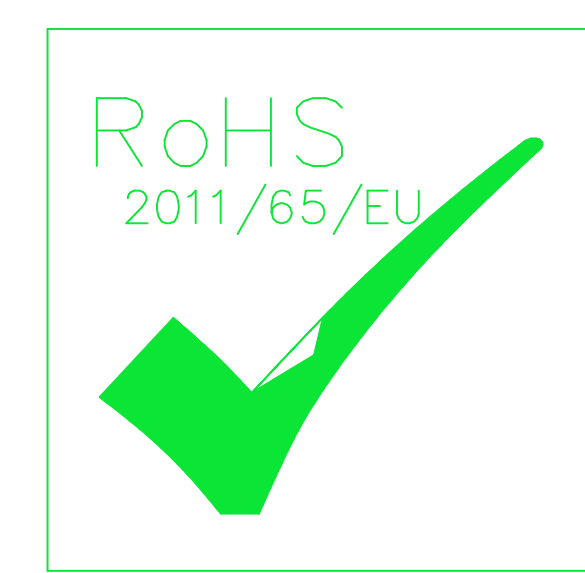


RECOMMENDED BEZEL DESIGN

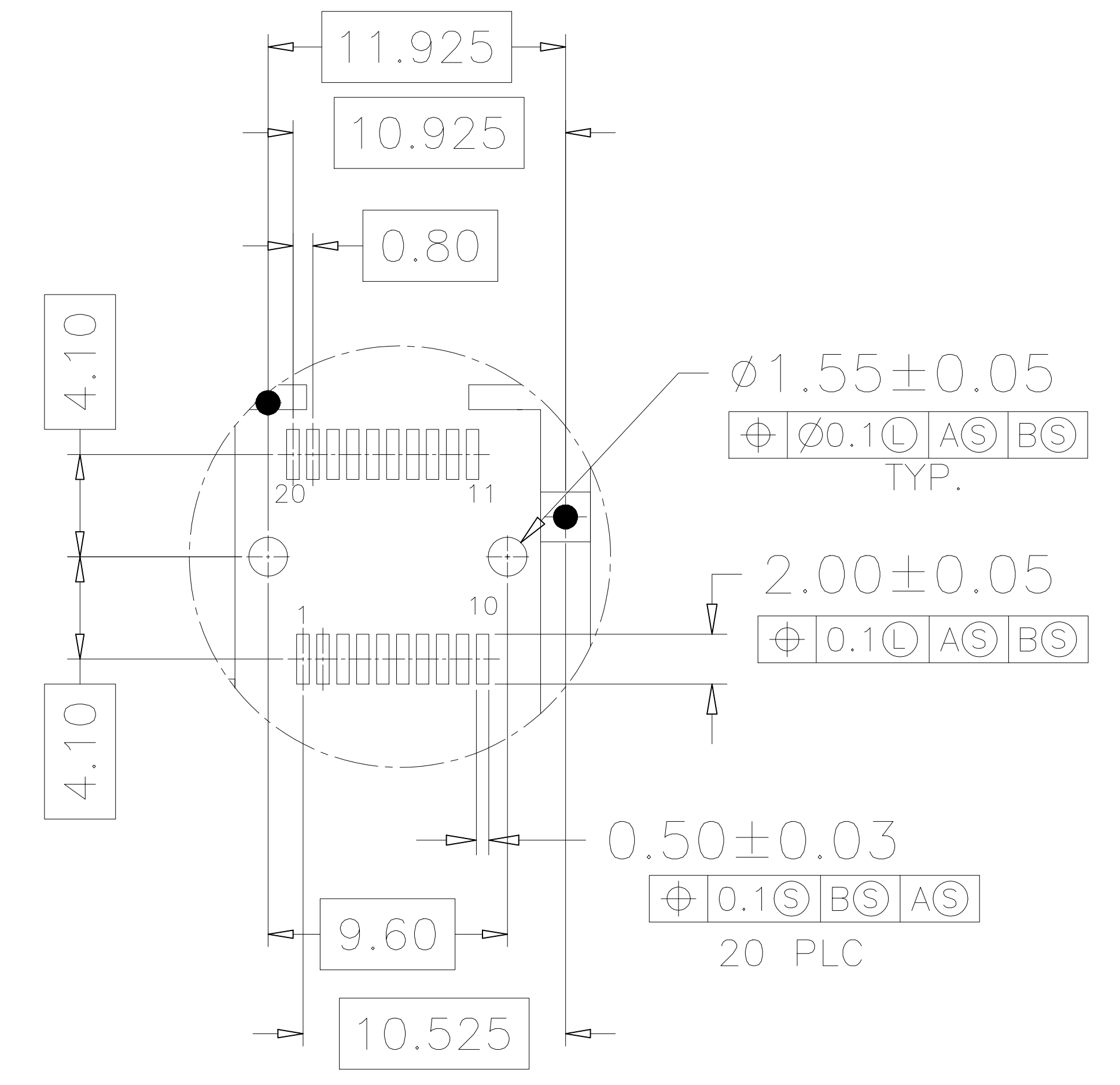
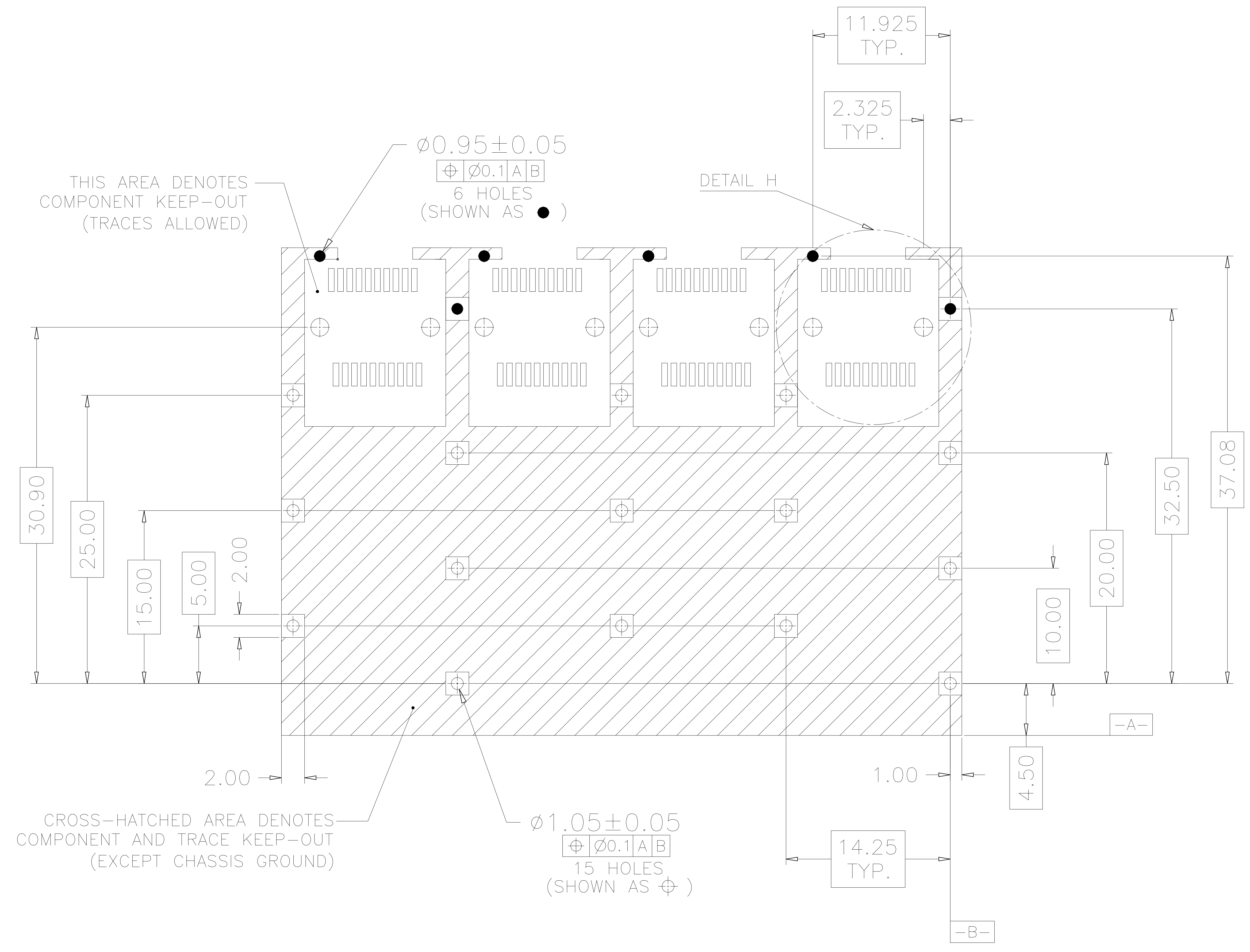


NOTES:

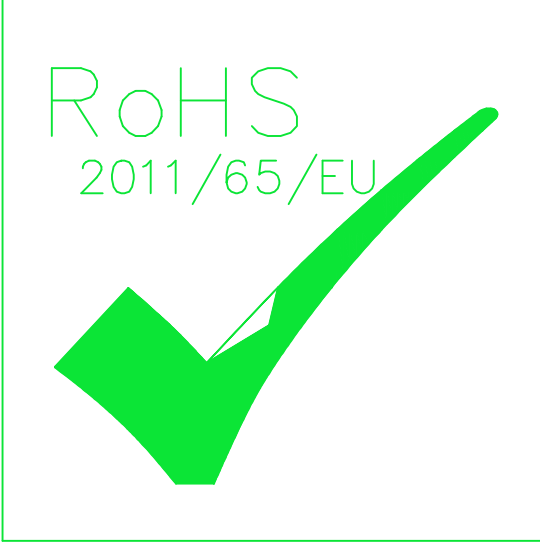
- 1.MATERIAL: NICKEL SILVER, THICKNESS 0.25mm
- 2.PACKAGING: TRAY PACKAGING
- 3.TEMPERATURE RANGE: -55°C TO +85°C



TITLE			LINK-PP INT'L TECHNOLOGY CO., LIMITED									
SFP+ 1X4 CAGE WITH EMI SPRING FINGER												
PART NO.			GENNERAL TOLERANCE		UNIT:MM	SIZE:A4						
LP14BC01000			<table border="1"> <tr> <td>。 X±0.20</td> <td>。 X±1°</td> </tr> <tr> <td>。 XX±0.15</td> <td>。 XX±5°</td> </tr> <tr> <td>。 XXX±0.10</td> <td></td> </tr> </table>		。 X±0.20	。 X±1°	。 XX±0.15	。 XX±5°	。 XXX±0.10		SHEET:1/4	REV:A
。 X±0.20	。 X±1°											
。 XX±0.15	。 XX±5°											
。 XXX±0.10												
APPROVE	CHECK	DRAW	SCALE:1:1		SHEET:1/4	REV:A						
LEO	JAMES	JAMES										

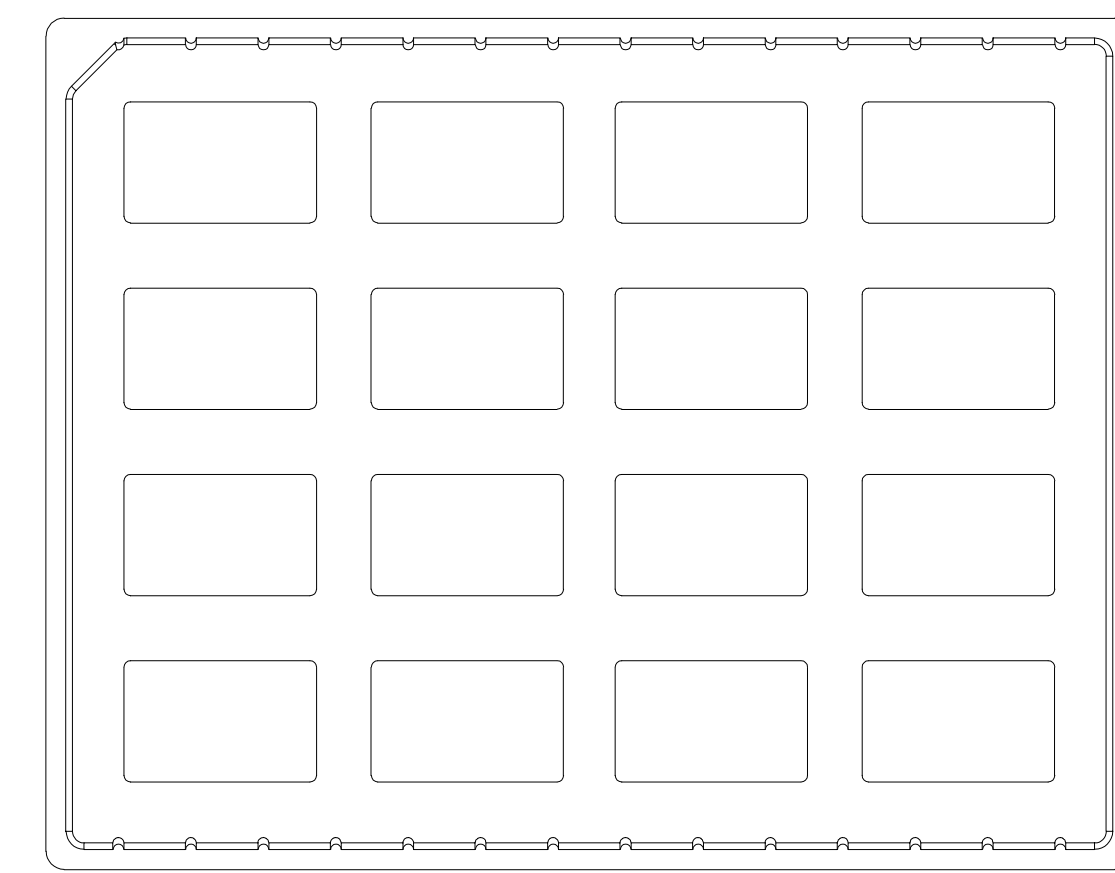


DETAIL H

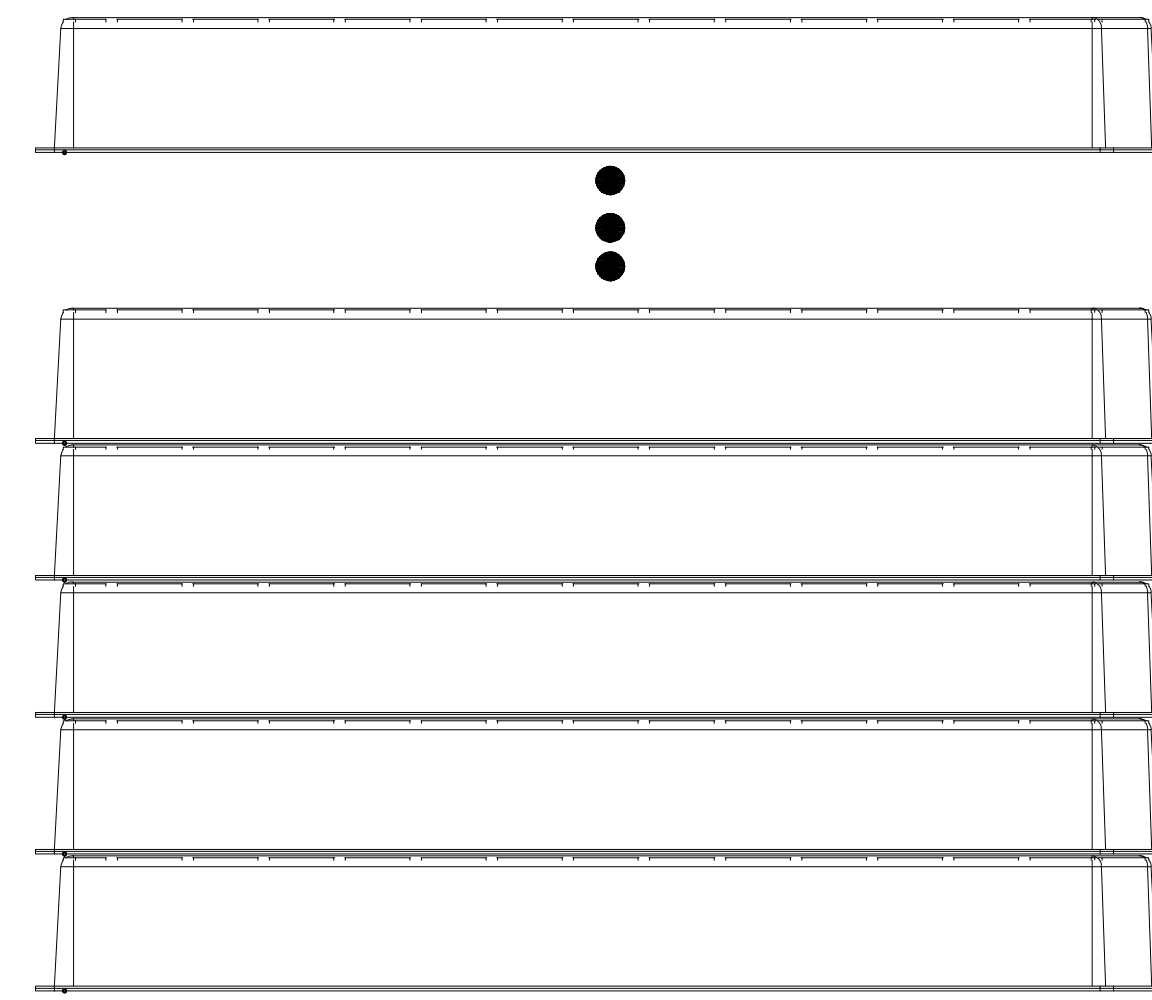
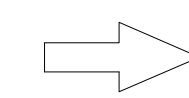


TITLE			SFP+ 1X4 CAGE WITH EMI SPRING FINGER		LINK-PP INT'L TECHNOLOGY CO., LIMITED			
PART NO.			LP14BC01000		GENNERAL TOLERANCE		UNIT:MM	SIZE:A4
APPROVE	CHECK	DRAW	○ X±0.20	○ X±1°	SCALE:1:1	SHEET:2/3	REV:A	
LEO	JAMES	JAMES	○ XX±0.15	○ XX±5°				
			○ XXX±0.10					

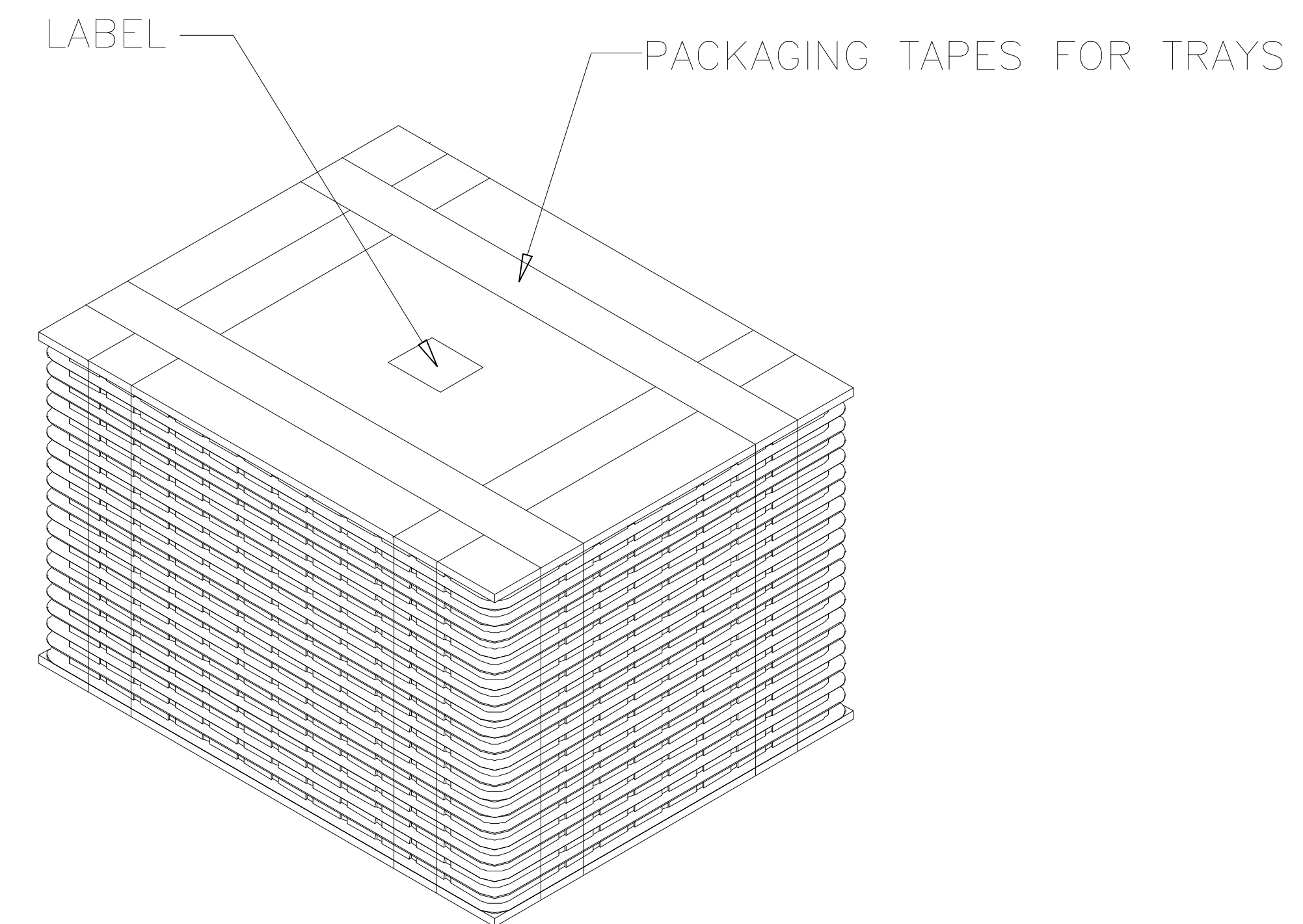
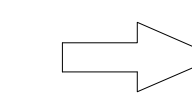
PACKAGE INFORMATION AND LABEL



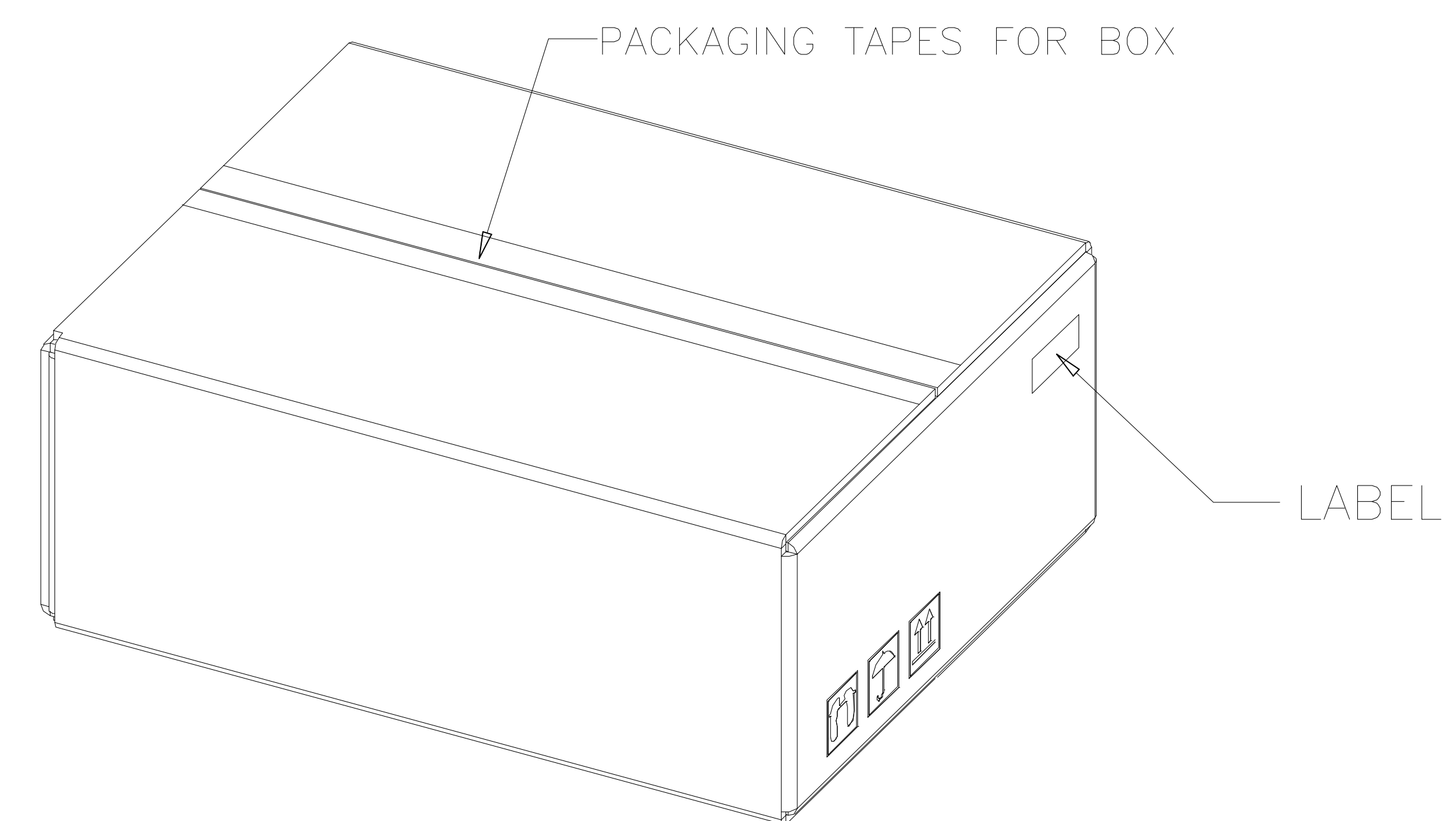
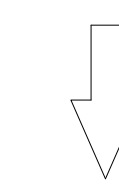
1. 16 PCS PRODUCTS IN TRAYS



2. TRAYS OVERLAY:
(THE NEXT TRAY NEED ROTATE 180 DEGREE AND PUT IT ON PREVIOUS TRAY.)

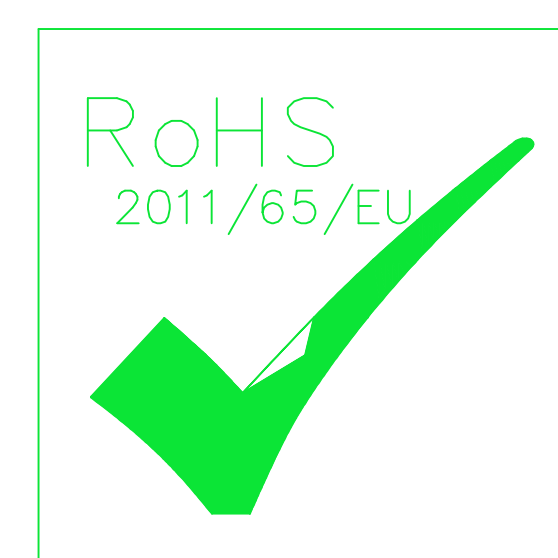


3. LABEL & PACKAGING TAPES FOR TRAYS:



4. LABEL & PACKAGING TAPES FOR BOX

PACKAGING LISTS	
ITEM	Q'TY
PRODUCT	128 PCS
TRAY	8 PCS
BOX(L340*W265*H200MM)	1 PCS
LABLE	2 PCS
PACKAGING TAPES	8 M (ABOUT)



TITLE SFP+ 1X4 CAGE WITH EMI SPRING FINGER			LINK-PP INT'L TECHNOLOGY CO., LIMITED				
PART NO. LP14BC01000			GENNERAL TOLERANCE			UNIT:MM	SIZE:A4
APPROVE	CHECK	DRAW	◦ X±0.20	◦ X±1°	SCALE:1:1	SHEET:3/3	REV:A
LEO	JAMES	JAMES	◦ XX±0.15	◦ XX±5°			
			◦ XXX±0.10				