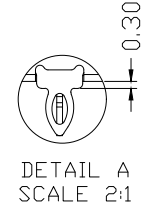
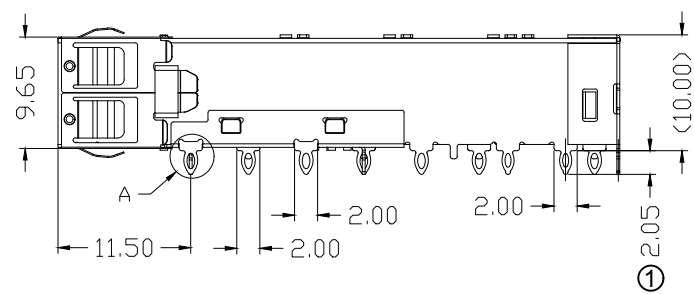
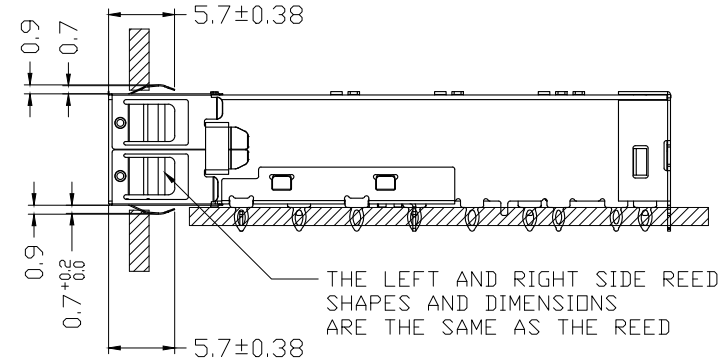
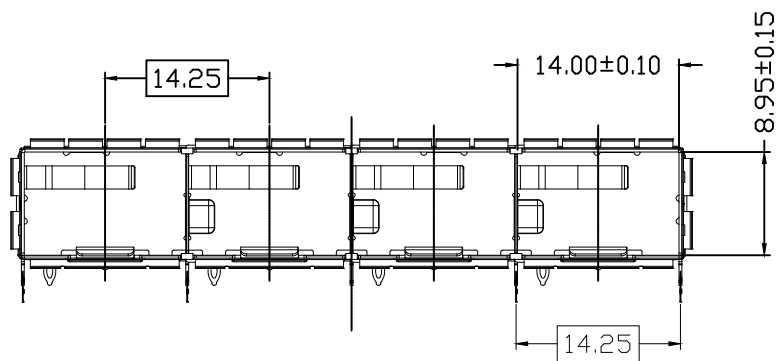
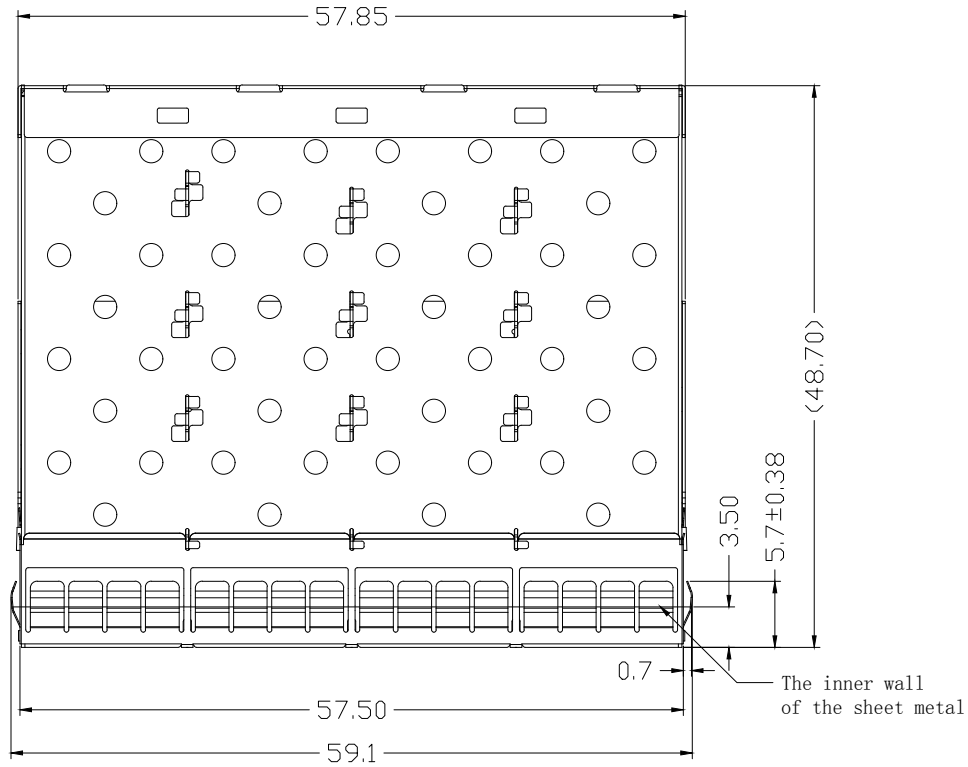


REV	DESCRIPTION OF CHANGE	REVIEWED BY	ISSUE DATE
A	① 3.0	LEO	2022-09-24
B	① 2.05		

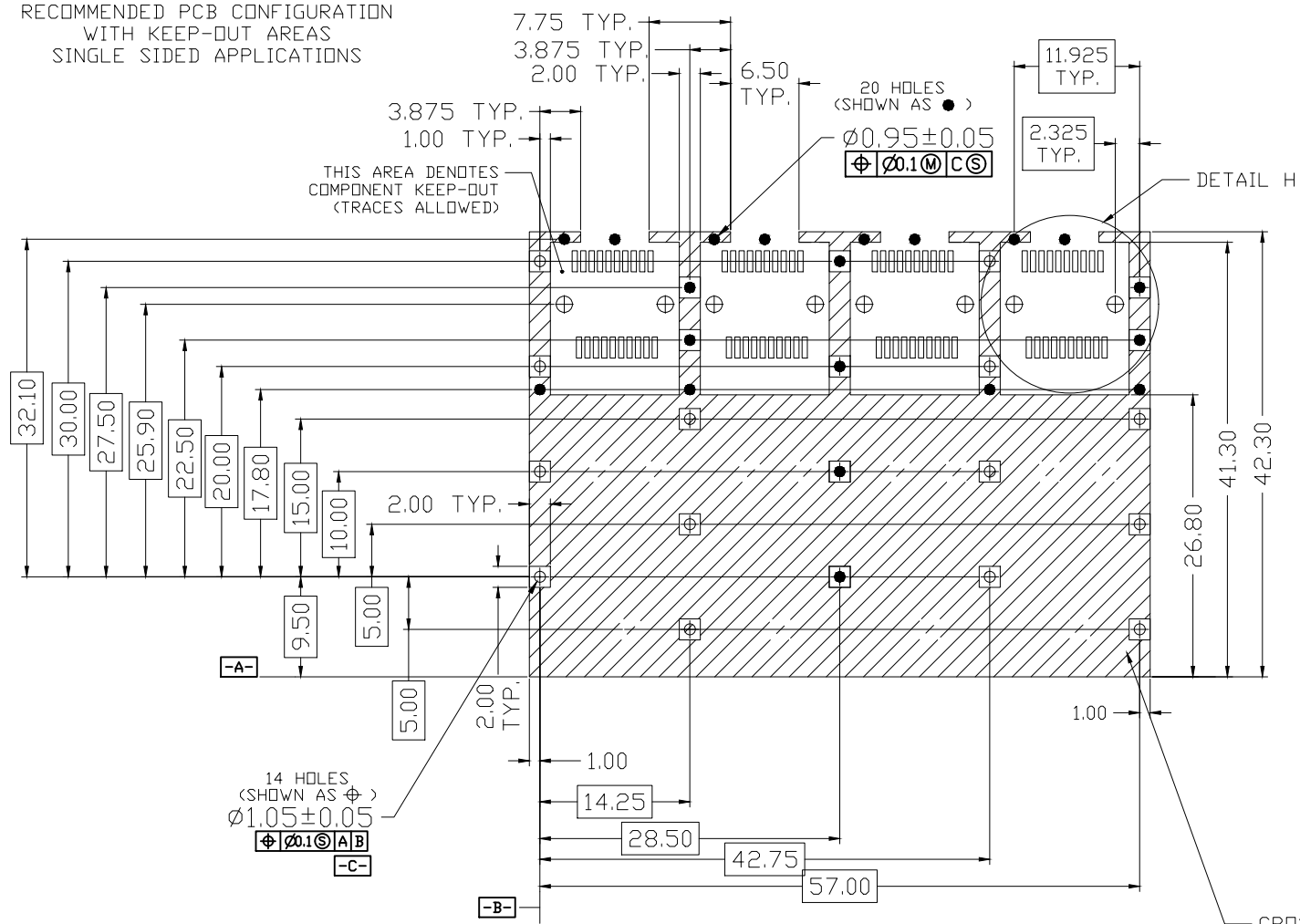


- NOTES:
- 1.MATERIAL: COPPER ALLOY, THICKNESS 0.25mm
 - 2.PACKAGING: TRAY PACKAGING
 - 3.TEMPERATURE RANGE:
 OPERATING : -40°C TO +85°C
 NON OPERATING : -55°C TO +105°C



TITLE SFP+ 1x4 CAGE WITH EMI SPRING FINGER			LINK-PP INT'L TECHNOLOGY CO., LIMITED			
PART NO. LP14BC01000 REV B			GENNERAL TOLERANCE		UNIT:MM	SIZE:A4
APPROVE	CHECK	DRAW	◦ X±0.20	◦ X±1°	SCALE:1:1	SHEET:1/4
LEO	JAMES	JAMES	◦ XX±0.15	◦ XX±5°		
			◦ XXX±0.10			

RECOMMENDED PCB CONFIGURATION
WITH KEEP-OUT AREAS
SINGLE SIDED APPLICATIONS



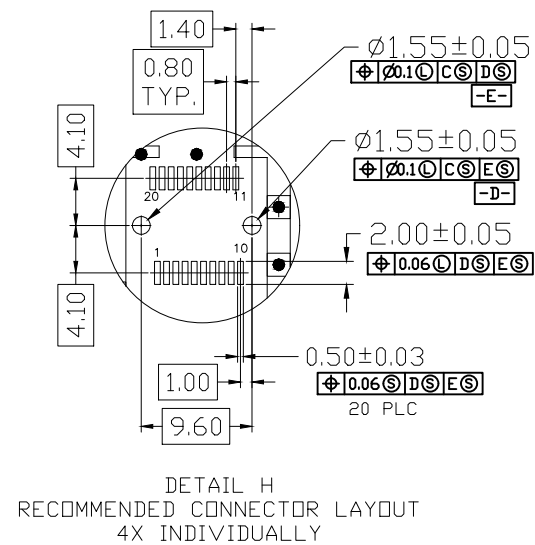
THIS AREA DENOTES
COMPONENT KEEP-OUT
(TRACES ALLOWED)

20 HOLES
(SHOWN AS ●)
 $\phi 0.95 \pm 0.05$
⊕ ⌀0.1 Ⓞ C Ⓢ

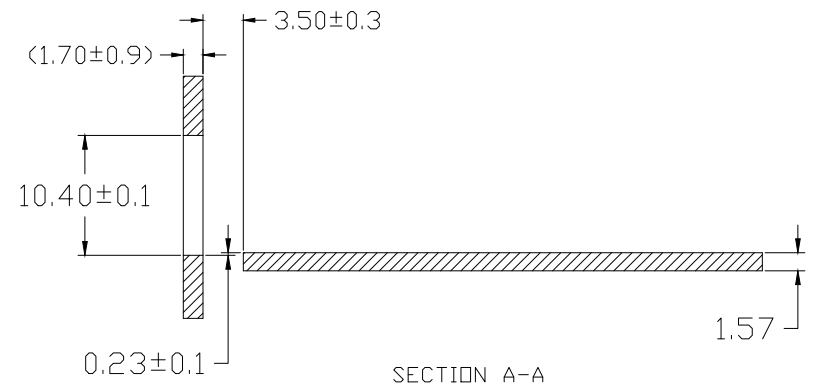
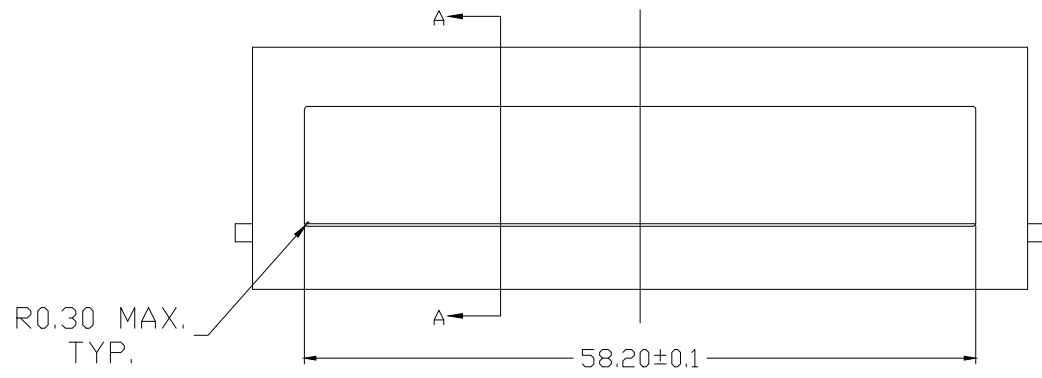
14 HOLES
(SHOWN AS ⊕)
 $\phi 1.05 \pm 0.05$
⊕ ⌀0.1 Ⓞ A B
-C-

DETAIL H

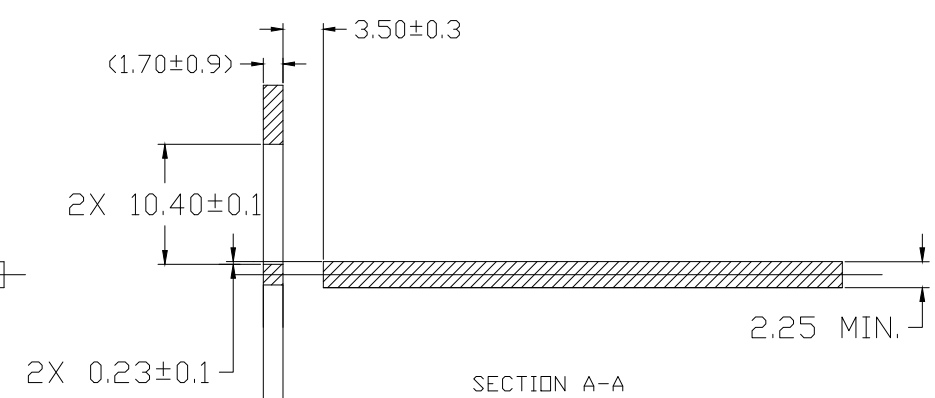
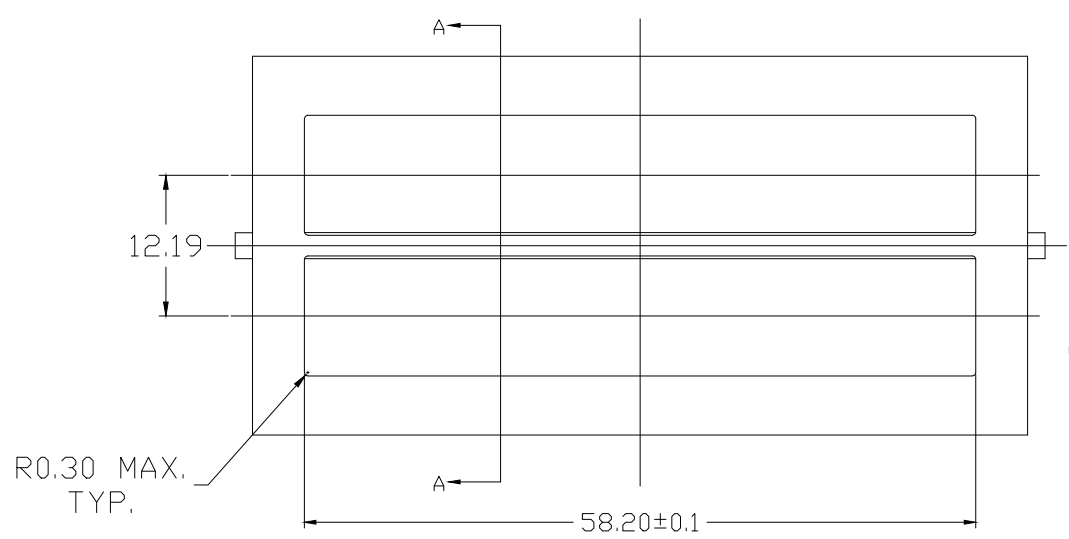
CROSS-HATCHED AREA DENOTES
COMPONENT AND TRACE KEEP-OUT
(EXCEPT CHASSIS GROUND)



TITLE SFP+ 1x4 CAGE WITH EMI SPRING FINGER			LINK-PP INT'L TECHNOLOGY CO., LIMITED		
PART NO. LP14BC01000 REV B			GENERAL TOLERANCE	UNIT:MM	SIZE:A4
APPROVE	CHECK	DRAW	SCALE:1:1	SHEET:2/4	REV:A
LEO	JAMES	JAMES			



RECOMMENDED BEZEL DESIGN
SINGLE SIDED APPLICATIONS

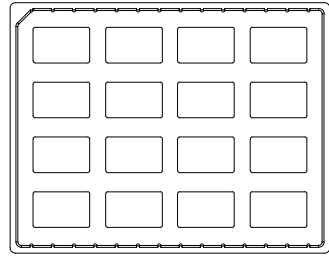


RECOMMENDED BEZEL DESIGN
BELLY TO BELLY APPLICATIONS

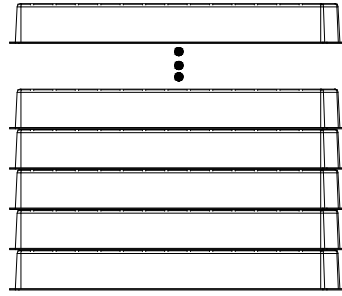


TITLE SFP+ 1x4 CAGE WITH EMI SPRING FINGER			LINK-PP INT'L TECHNOLOGY CO., LIMITED			
PART NO. LP14BC01000 REV B			GENERAL TOLERANCE		UNIT:MM	SIZE:A4
APPROVE	CHECK	DRAW	◦ X±0.20	◦ X±1°	SCALE:1:1	SHEET:3/4
LEO	JAMES	JAMES	◦ XX±0.15	◦ XX±5°		
			◦ XXX±0.10			
					REV:A	

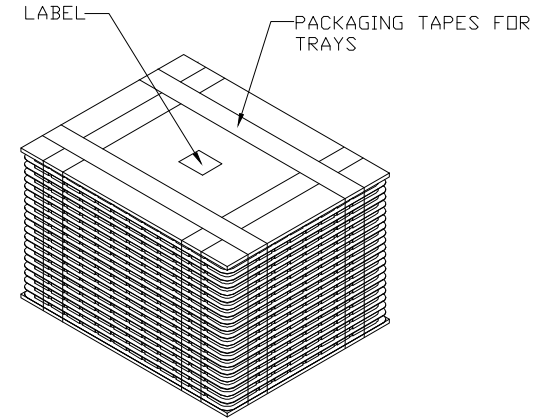
PACKAGE INFORMATION AND LABEL



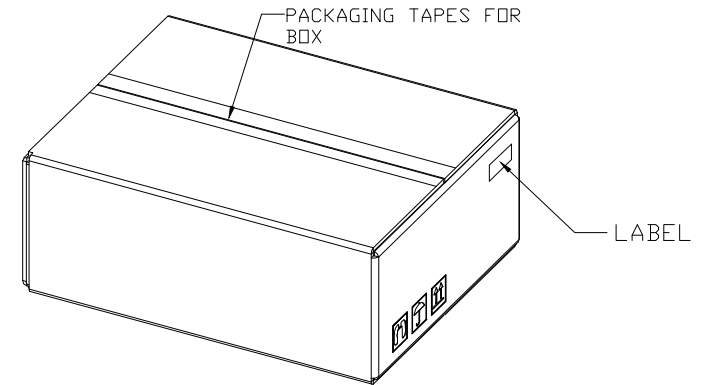
1. PRODUCTS IN TRAYS



2. TRAYS OVERLAY:
(THE NEXT TRAY NEED ROTATE 180 DEGREE AND PUT IT ON PREVIOUS TRAY.)



3. LABEL & PACKAGING TAPES FOR TRAYS:



4. LABEL & PACKAGING TAPES FOR BOX

PACKAGING LISTS	
ITEM	Q'TY
PRODUCT	128 PCS
TRAY	8 PCS
BOX(L340*W265*H200MM)	1 PCS
LABLE	2 PCS
PACKAGING TAPES	8 M (ABOUT)



TITLE SFP+ 1x4 CAGE WITH EMI SPRING FINGER			LINK-PP INT'L TECHNOLOGY CO., LIMITED			
PART NO. LP14BC01000 REV B			GENNERAL TOLERANCE		UNIT:MM	SIZE:A4
APPROVE	CHECK	DRAW	◦ X±0.20	◦ X±1°	SCALE:1:1	SHEET:4/4
LEO	JAMES	JAMES	◦ XX±0.15	◦ XX±5°		
			◦ XXX±0.10			
						REV:A