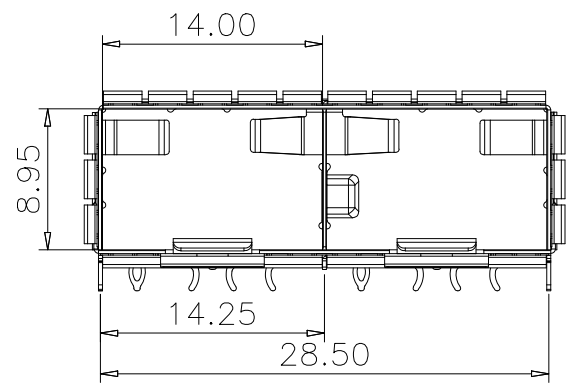
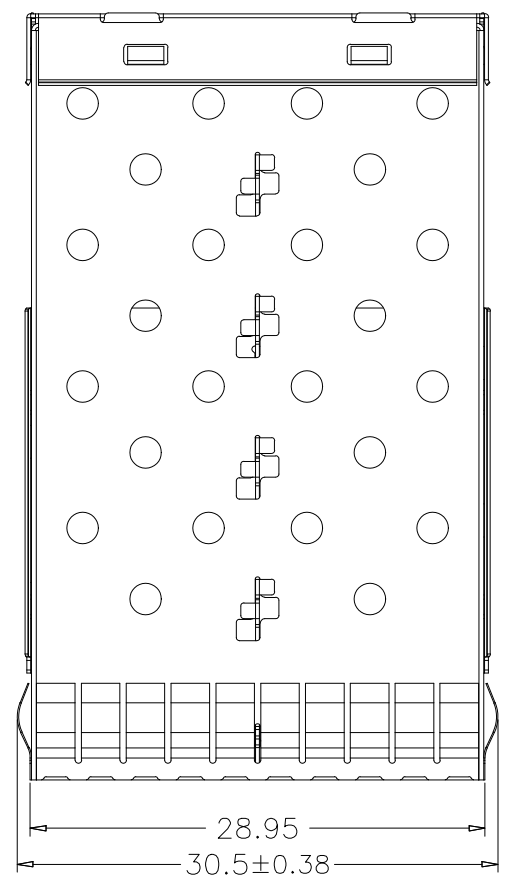
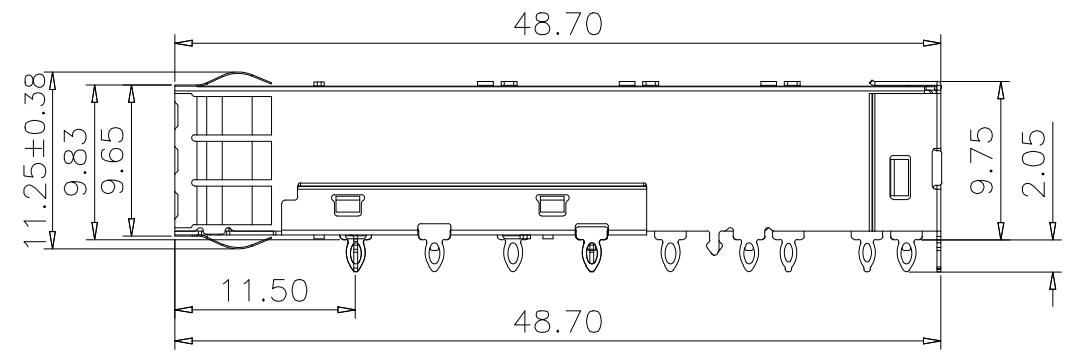


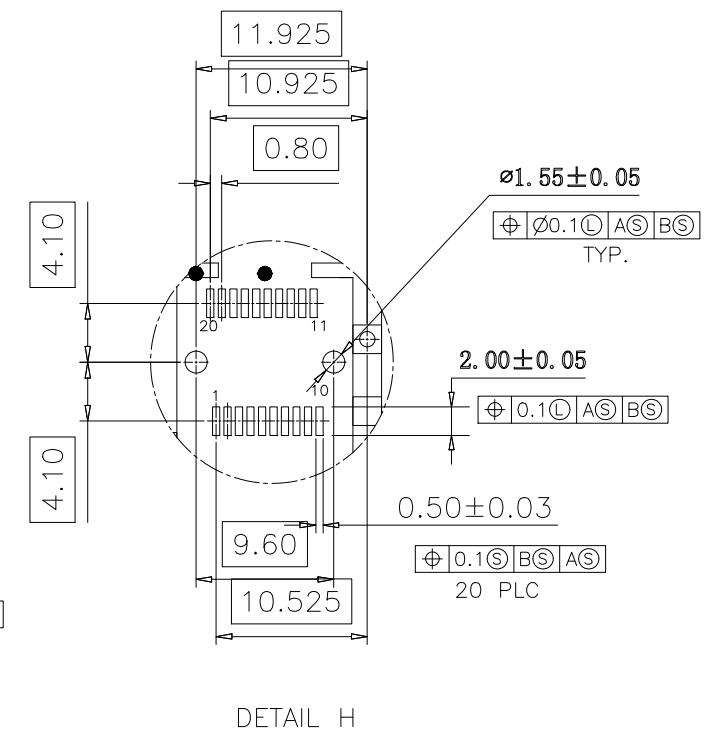
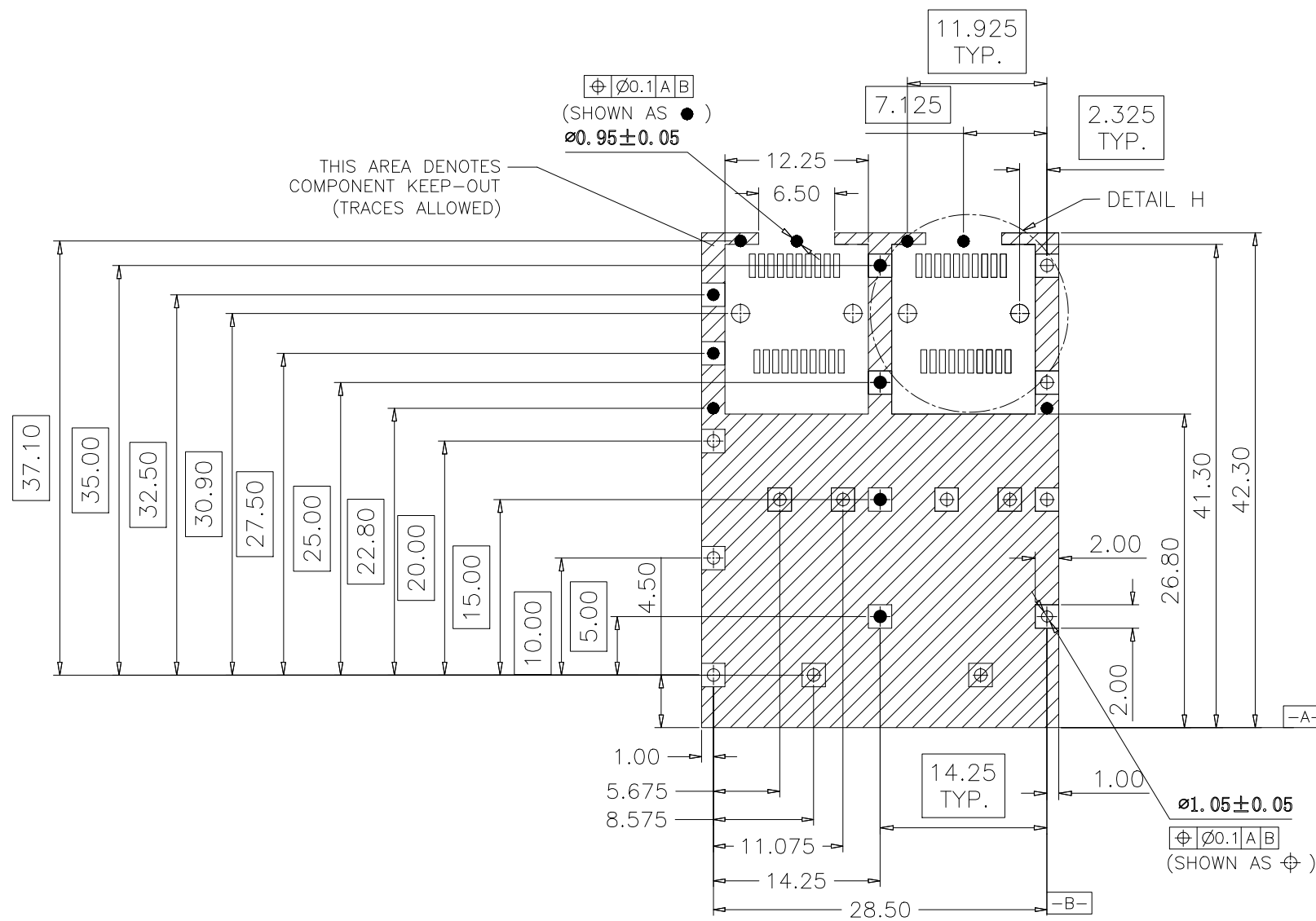
REV	DESCRIPTION OF CHANGE	REVIEWED BY	ISSUE DATE
A	FIRST ISSUE	James	2021-10-09



NOTES:
 1.MATERIAL: COPPER ALLOY, NICKEL PLATED,THICKNESS 0.25mm
 2.PACKAGING: TRAY PACKAGING
 3.TEMPERATURE RANGE:
 OPERATING : -40°C TO +85°C
 NON OPERATING : -55°C TO +105°C



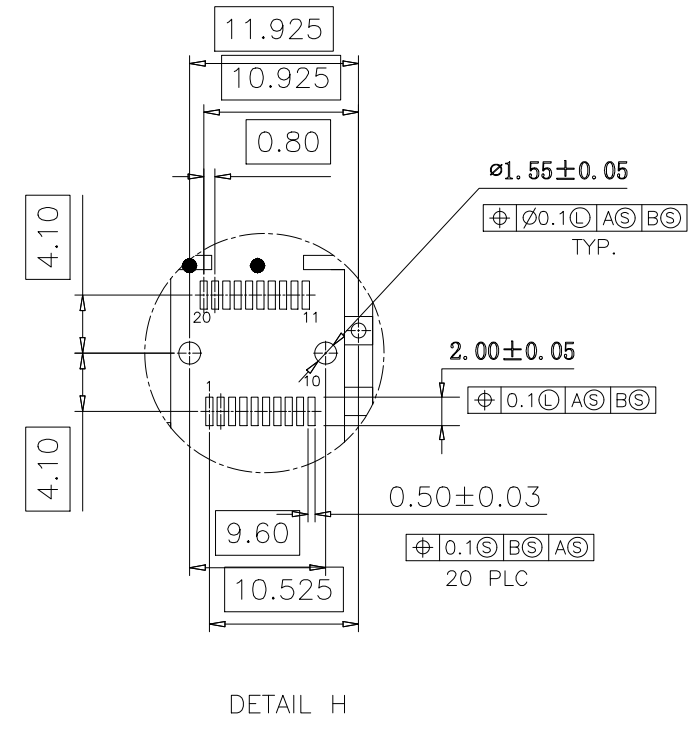
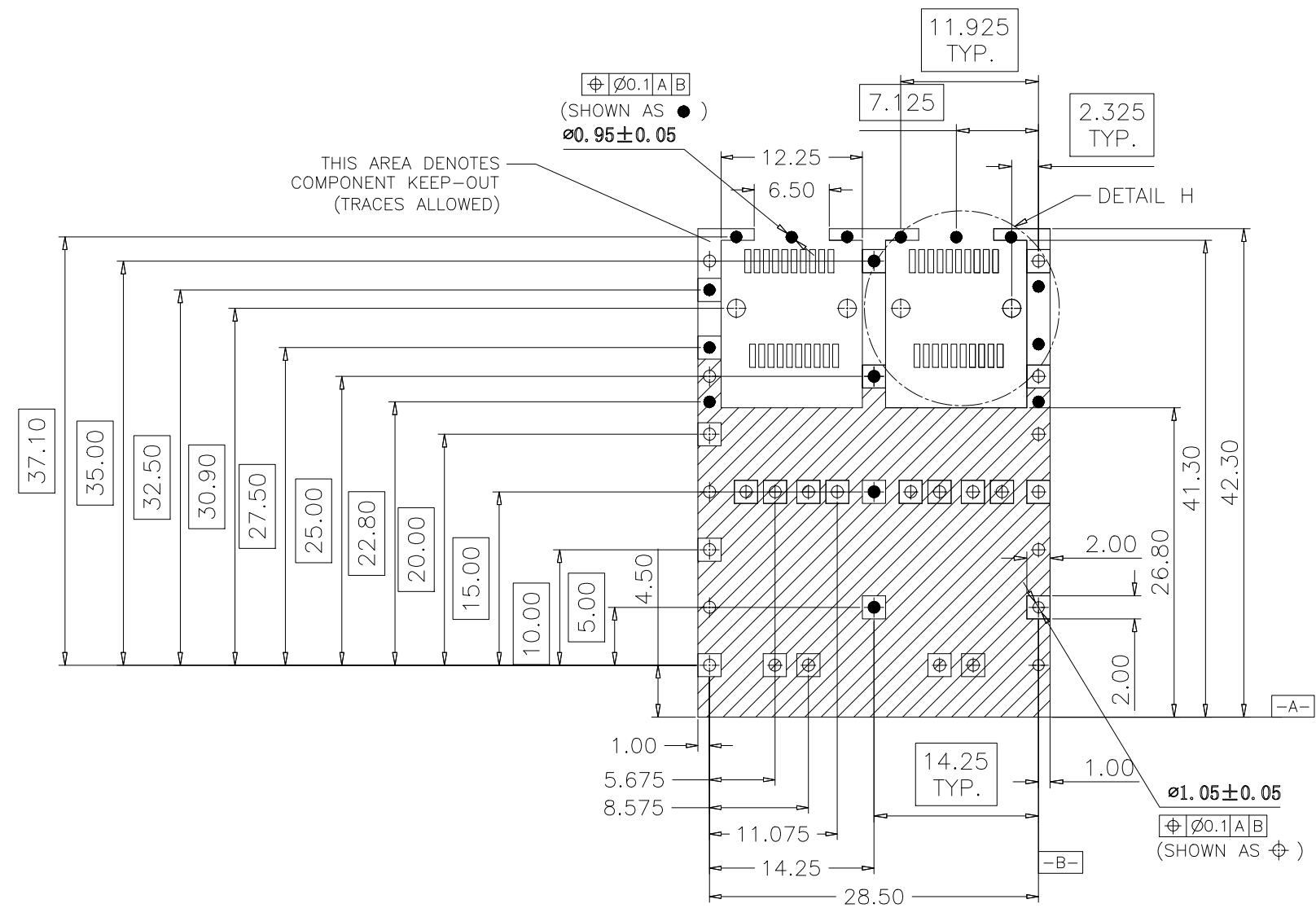
TITLE			SFP+ 1X2 CAGE WITH EMI SPRING FINGER		LINK-PP INT'L TECHNOLOGY CO., LIMITED			
PART NO.			LP12BC02000		GENERAL TOLERANCE		UNIT:MM	SIZE: A4
APPROVE	CHECK	DRAW	.X±0.20	.X±1°	SCALE: 1:1	SHEET:1/4	REV:A	
James	Kevin	Kevin	.XX±0.15	.XX±5°				
			.XXX±0.10					



PCB LAYOUT
FOR SINGLE SIDE MOUNTING



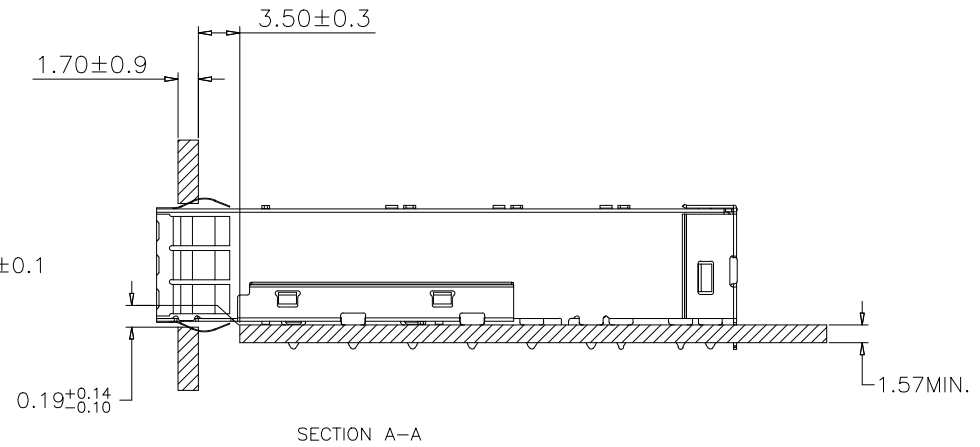
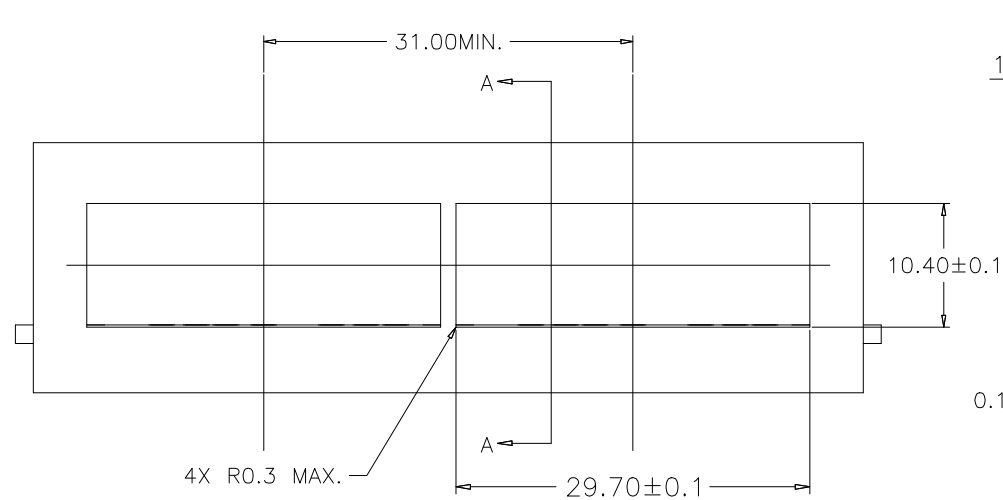
TITLE			SFP+ 1X2 CAGE WITH EMI SPRING FINGER		LINK-PP INT'L TECHNOLOGY CO., LIMITED				
PART NO.			LP12BC02000		GENERAL TOLERANCE			UNIT:MM	SIZE: A4
APPROVE	CHECK	DRAW	.X±0.20	.X±1*	SCALE: 1:1		SHEET:2/4	REV:A	
James	Kevin	Kevin	.XX±0.15	.XX±5*					
			.XXX±0.10						



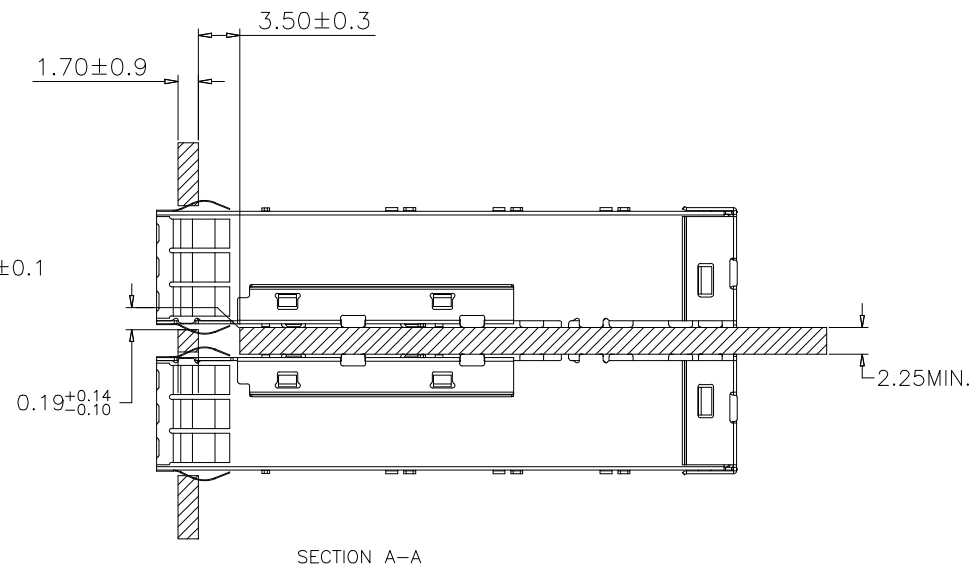
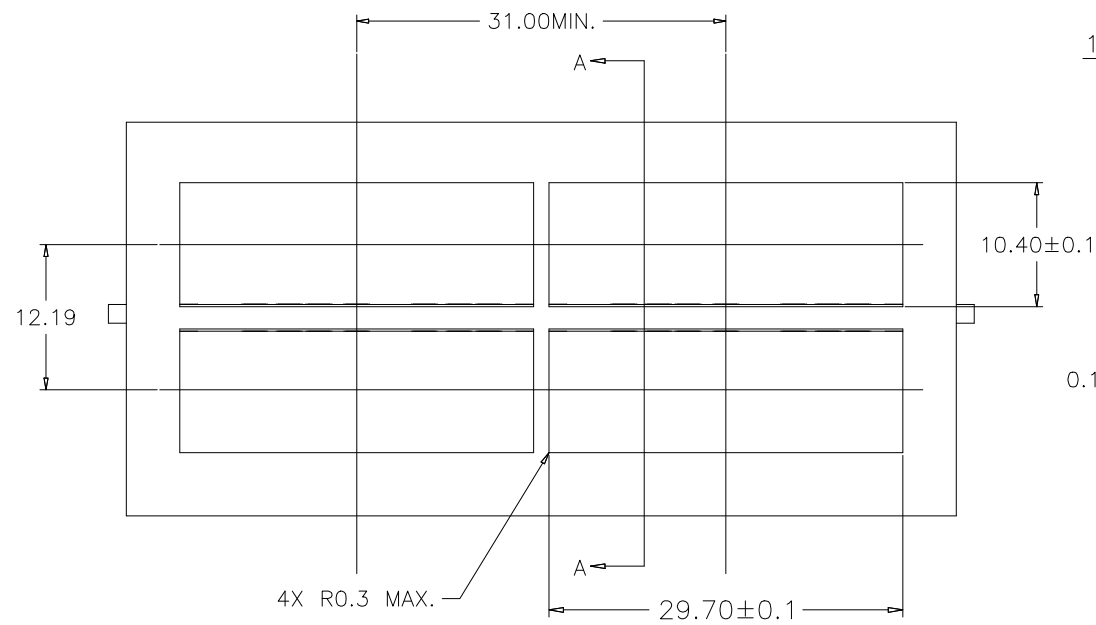
PCB LAYOUT
FOR BELLY TO BELLY SIDE MOUNTING



TITLE			SFP+ 1X2 CAGE WITH EMI SPRING FINGER		LINK-PP INT'L TECHNOLOGY CO., LIMITED				
PART NO.			LP12BC02000		GENERAL TOLERANCE			UNIT:MM	SIZE: A4
APPROVE	CHECK	DRAW	.X±0.20	.X±1*	SCALE: 1:1		SHEET:3/4	REV:A	
James	Kevin	Kevin	.XX±0.15	.XX±5*					
			.XXX±0.10						



RECOMMENDED BEZEL DESIGN
SINGLE SIDED APPLICATIONS



RECOMMENDED BEZEL DESIGN
BELLY TO BELLY APPLICATIONS



TITLE			SFP+ 1X2 CAGE WITH EMI SPRING FINGER		LINK-PP INT'L TECHNOLOGY CO., LIMITED			
PART NO.			LP12BC02000		GENERAL TOLERANCE		UNIT:MM	SIZE: A4
APPROVE	CHECK	DRAW	.X±0.20	.X±1°	SCALE: 1:1	SHEET:4/4	REV:A	
James	Kevin	Kevin	.XX±0.15	.XX±5°				
			.XXX±0.10					