

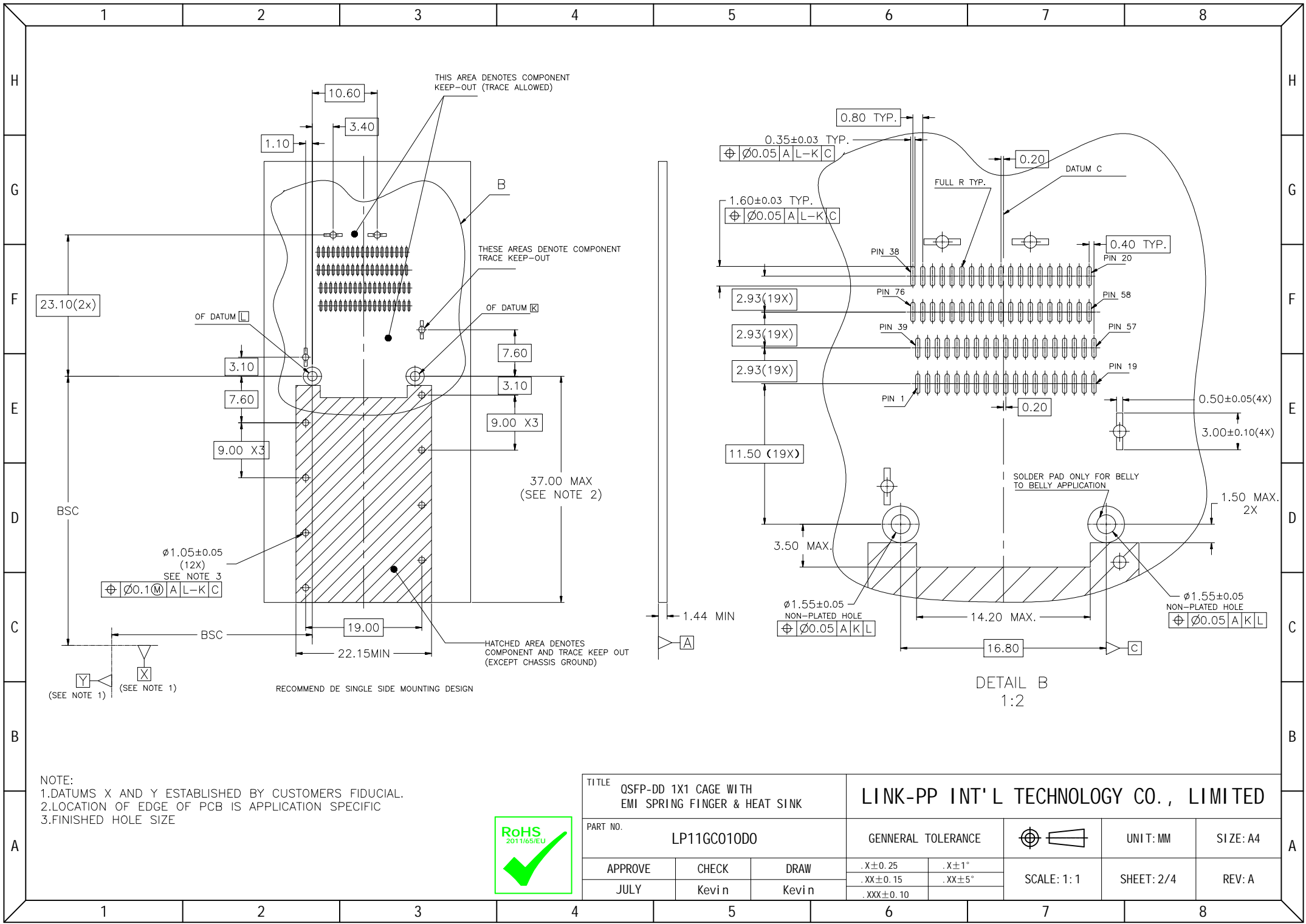
REV.	DESCRIPTION OF CHANGE	REVIEWED BY	ISSUE DATE
A	FIRST ISSUE	JULY	2024-02-20

NOTES:

- 1.MATERIAL:
 CAGE AND EMI: COPPER ALLOY(C7701)
 NI-PLATED 20u MIN THICKNESS 0.25mm
 HEAT SINK:NICKEL PLATED ALUMINUM ALLOY
 HEAT SINK CLIP:STAINLESS STEEL
- 2.PACKAGING: TRAY PACKAGING
- 3.TEMPERATURE RANGE: -55°C TO +85°C

TITLE QSFP-DD 1X1 CAGE WITH EMI SPRING FINGER & HEAT SINK			LINK-PP INT'L TECHNOLOGY CO., LIMITED				
PART NO. LP11GC010D0			GENNERAL TOLERANCE			UNIT: MM	SIZE: A4
APPROVE	CHECK	DRAW	.X±0.25	.X±1°	SCALE: 1:1	SHEET: 1/4	REV: A
JULY	Kevin	Kevin	.XX±0.15	.XX±5°			
			.XXX±0.10				





THIS AREA DENOTES COMPONENT KEEP-OUT (TRACE ALLOWED)

THESE AREAS DENOTE COMPONENT TRACE KEEP-OUT

HATCHED AREA DENOTES COMPONENT AND TRACE KEEP OUT (EXCEPT CHASSIS GROUND)

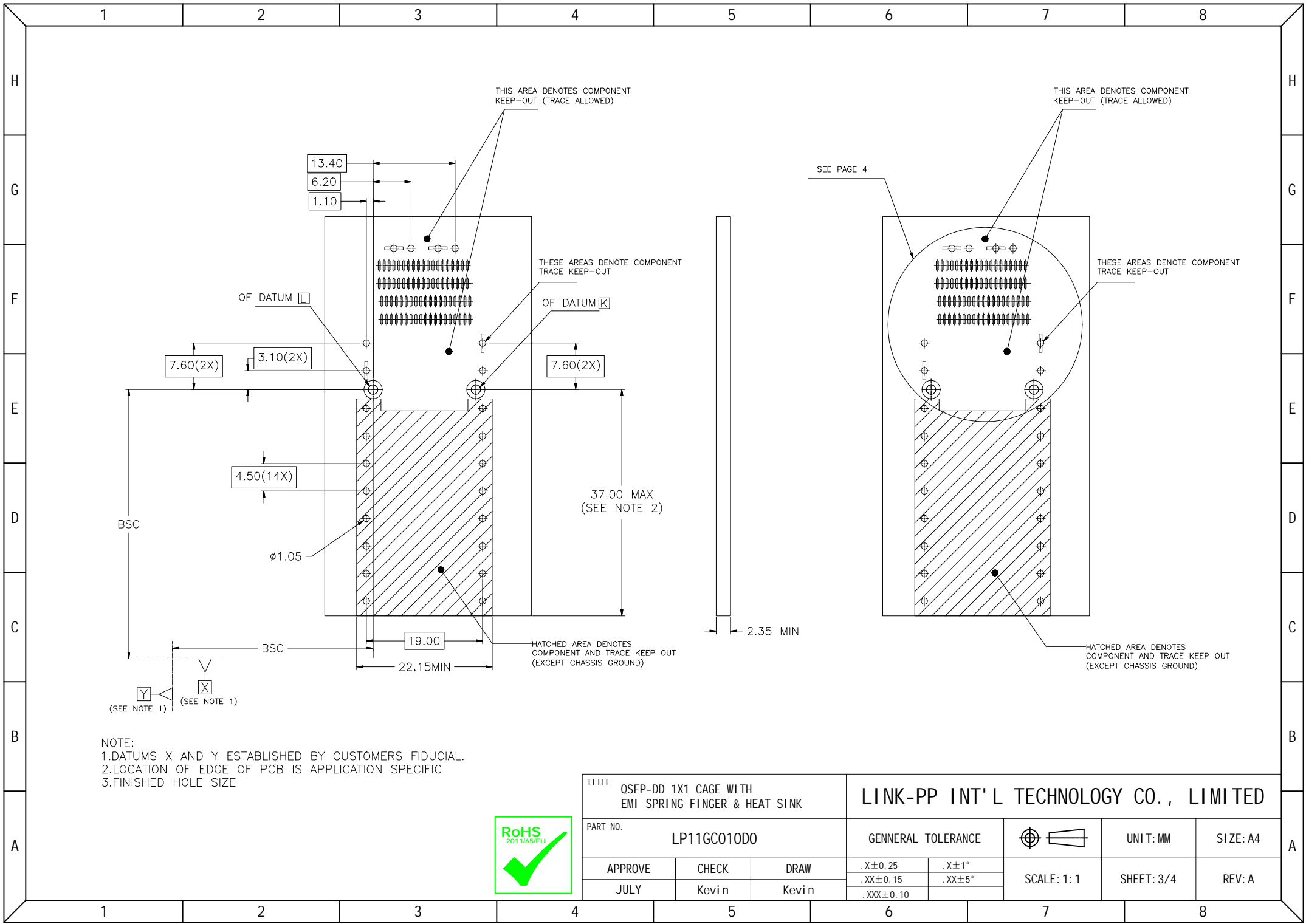
RECOMMEND DE SINGLE SIDE MOUNTING DESIGN

DETAIL B
1:2

NOTE:
 1.DATUMS X AND Y ESTABLISHED BY CUSTOMERS FIDUCIAL.
 2.LOCATION OF EDGE OF PCB IS APPLICATION SPECIFIC
 3.FINISHED HOLE SIZE



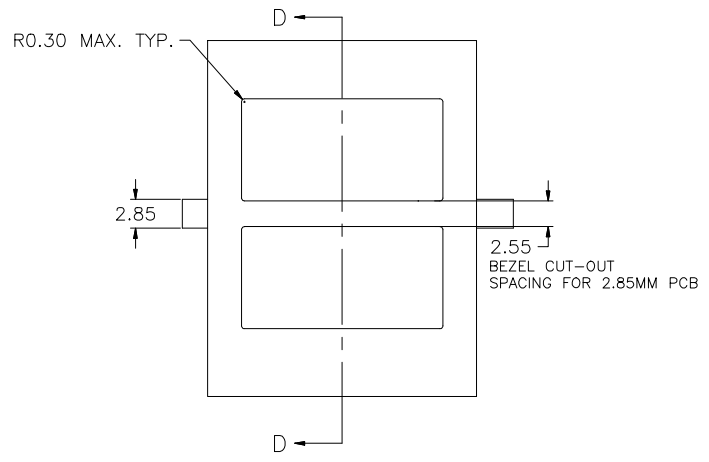
TITLE QSFP-DD 1X1 CAGE WITH EMI SPRING FINGER & HEAT SINK			LINK-PP INT'L TECHNOLOGY CO., LIMITED				
PART NO. LP11GC010D0			GENNERAL TOLERANCE			UNIT: MM	SIZE: A4
APPROVE	CHECK	DRAW	.X±0.25	.X±1°	SCALE: 1:1	SHEET: 2/4	REV: A
JULY	Kevin	Kevin	.XX±0.15	.XX±5°			
			.XXX±0.10				



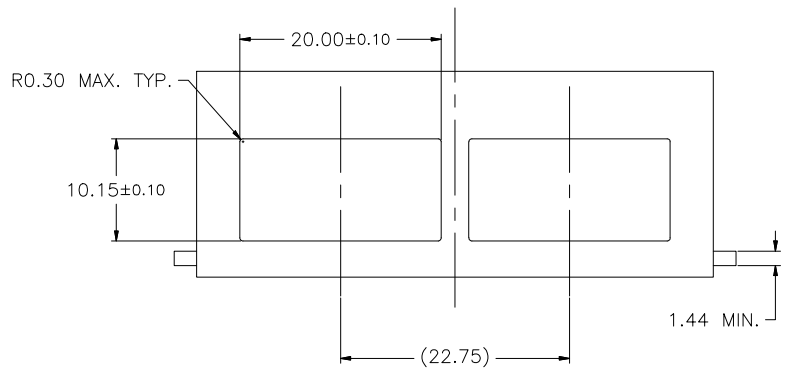
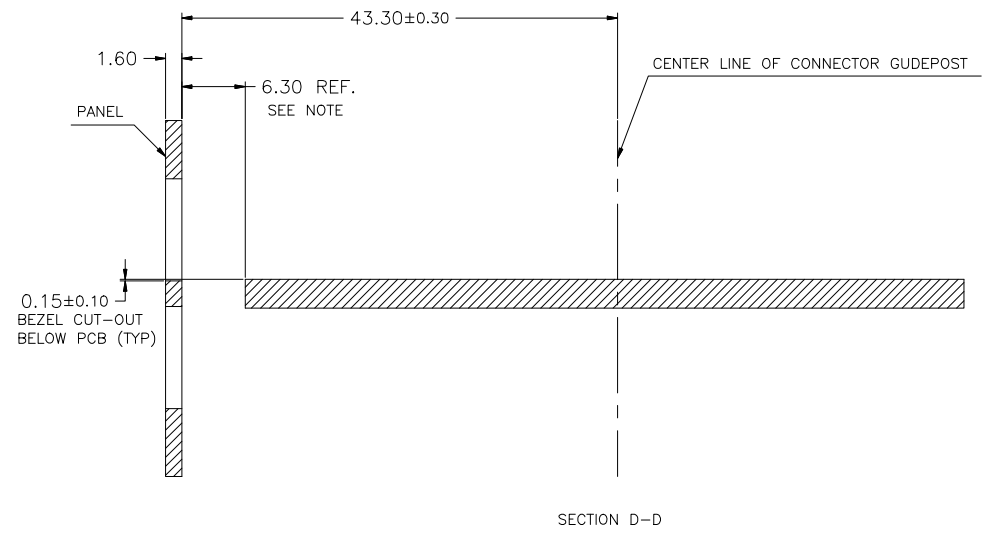
NOTE:
 1.DATUMS X AND Y ESTABLISHED BY CUSTOMERS FIDUCIAL.
 2.LOCATION OF EDGE OF PCB IS APPLICATION SPECIFIC
 3.FINISHED HOLE SIZE



TITLE OSFP-DD 1X1 CAGE WITH EMI SPRING FINGER & HEAT SINK			LINK-PP INT'L TECHNOLOGY CO., LIMITED				
PART NO. LP11GC010D0			GENNERAL TOLERANCE			UNIT: MM	SIZE: A4
APPROVE	CHECK	DRAW	.X±0.25	.X±1°	SCALE: 1:1	SHEET: 3/4	REV: A
JULY	Kevin	Kevin	.XX±0.15	.XX±5°			
			.XXX±0.10				



RECOMMENDED BELLY-TO-BELLY MOUNTING DESIGN



RECOMMENDED SINGLE SIDE MOUNTING DESIGN

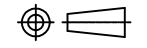


TITLE QSFP-DD 1X1 CAGE WITH EMI SPRING FINGER & HEAT SINK

LINK-PP INT'L TECHNOLOGY CO., LIMITED

PART NO. LP11GC010D0

GENNERAL TOLERANCE



UNIT: MM

SIZE: A4

APPROVE JULY

CHECK Kevin

DRAW Kevin

.X±0.25	.X±1°
.XX±0.15	.XX±5°
.XXX±0.10	

SCALE: 1:1

SHEET: 4/4

REV: A