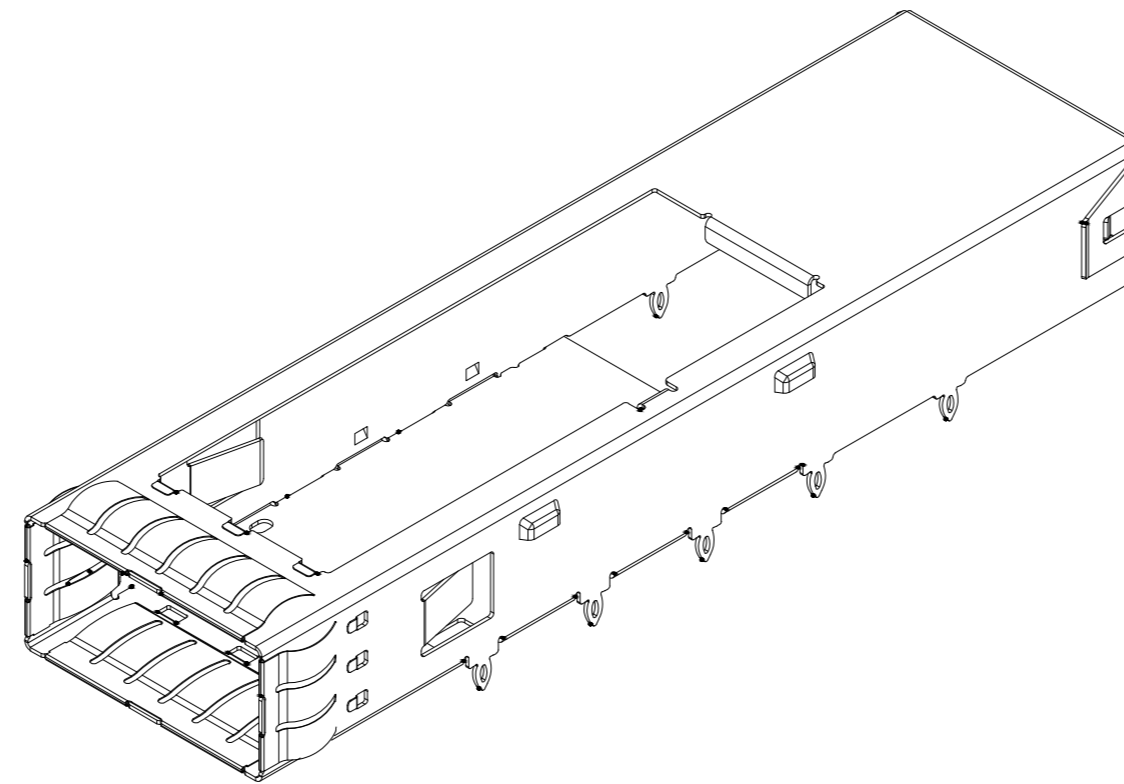
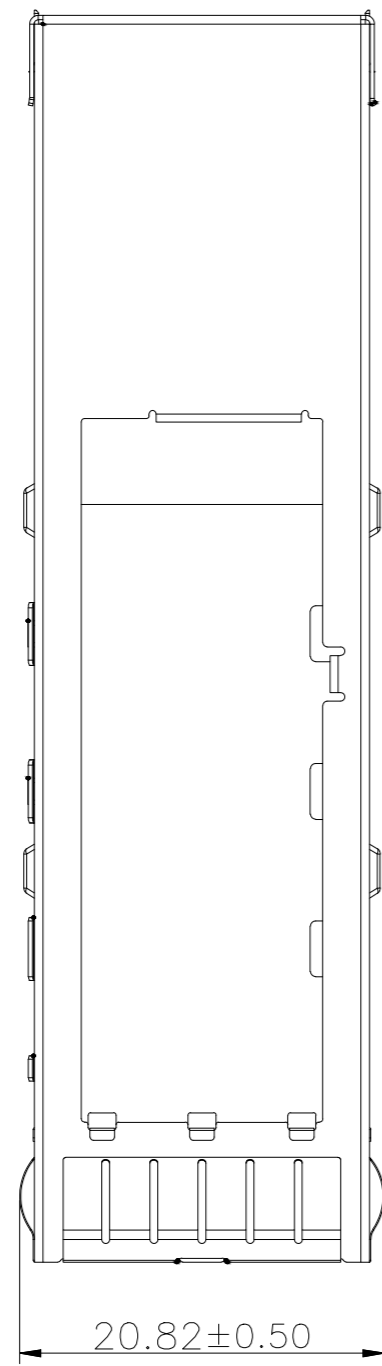
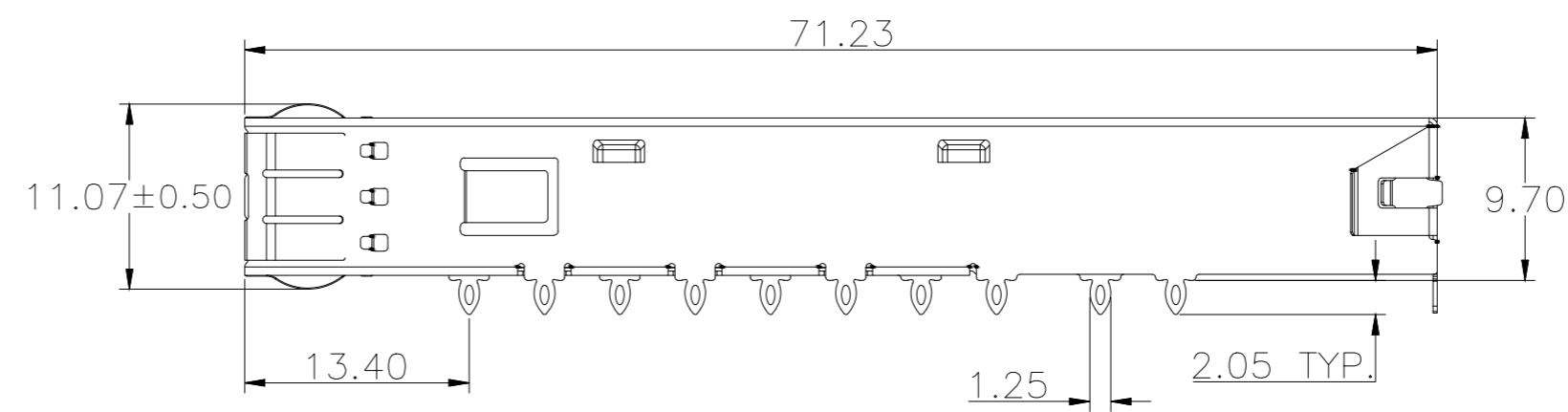
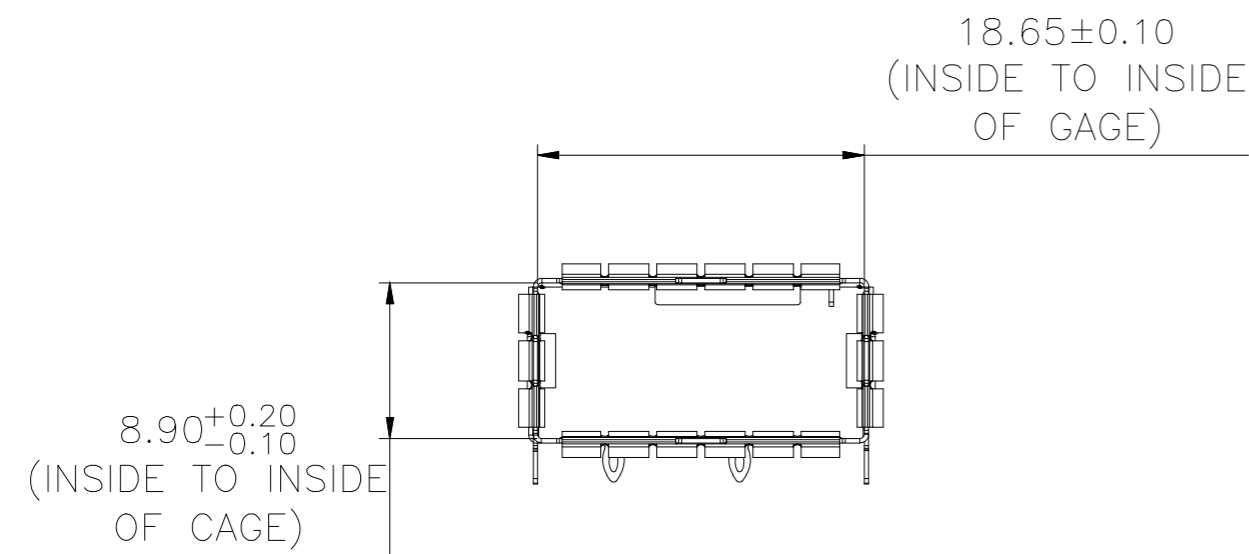


REV	DESCRIPTION OF CHANGE	REVIEWED BY	ISSUE DATE
A	FIRST ISSUE	LEO	2020-02-01

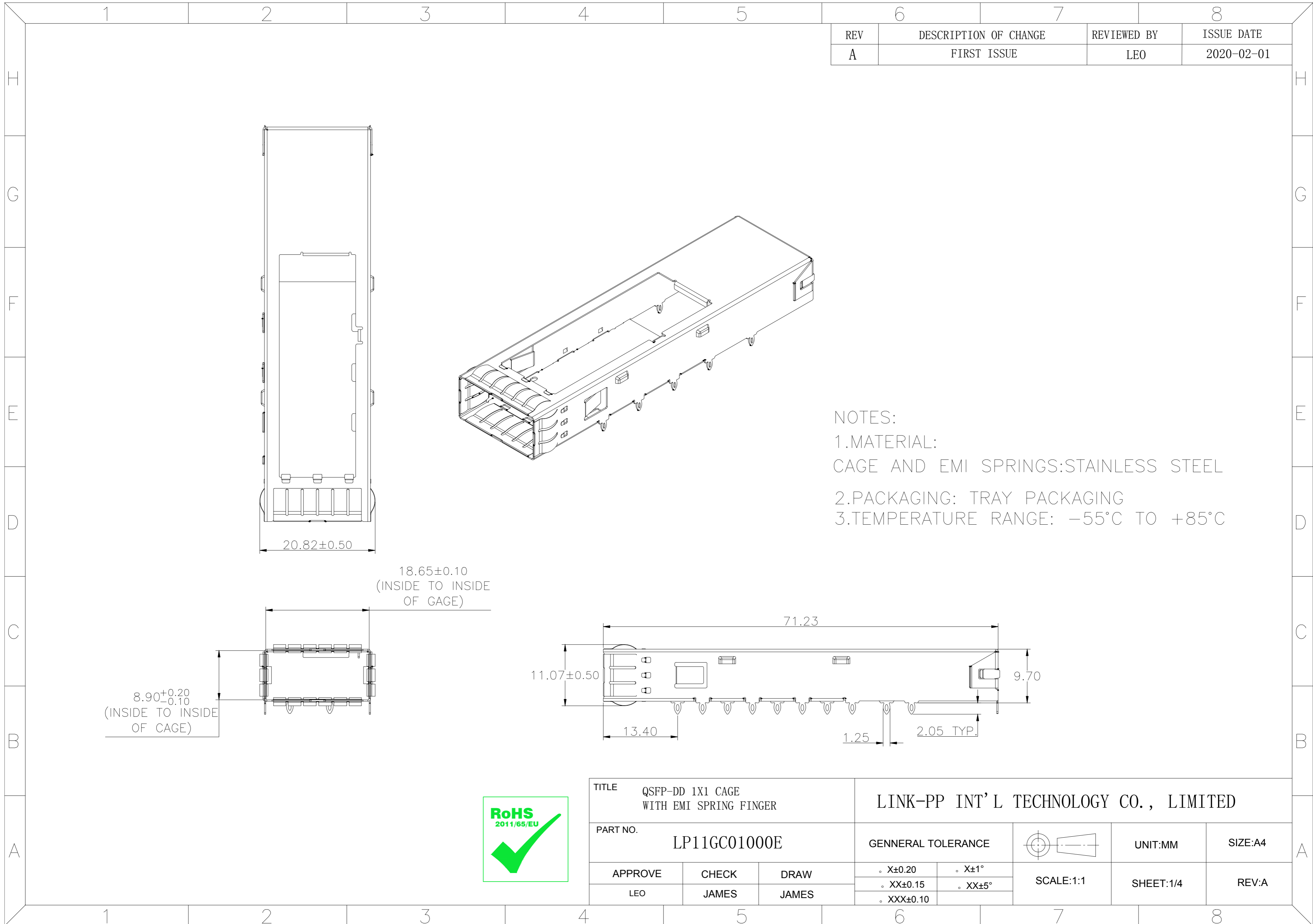


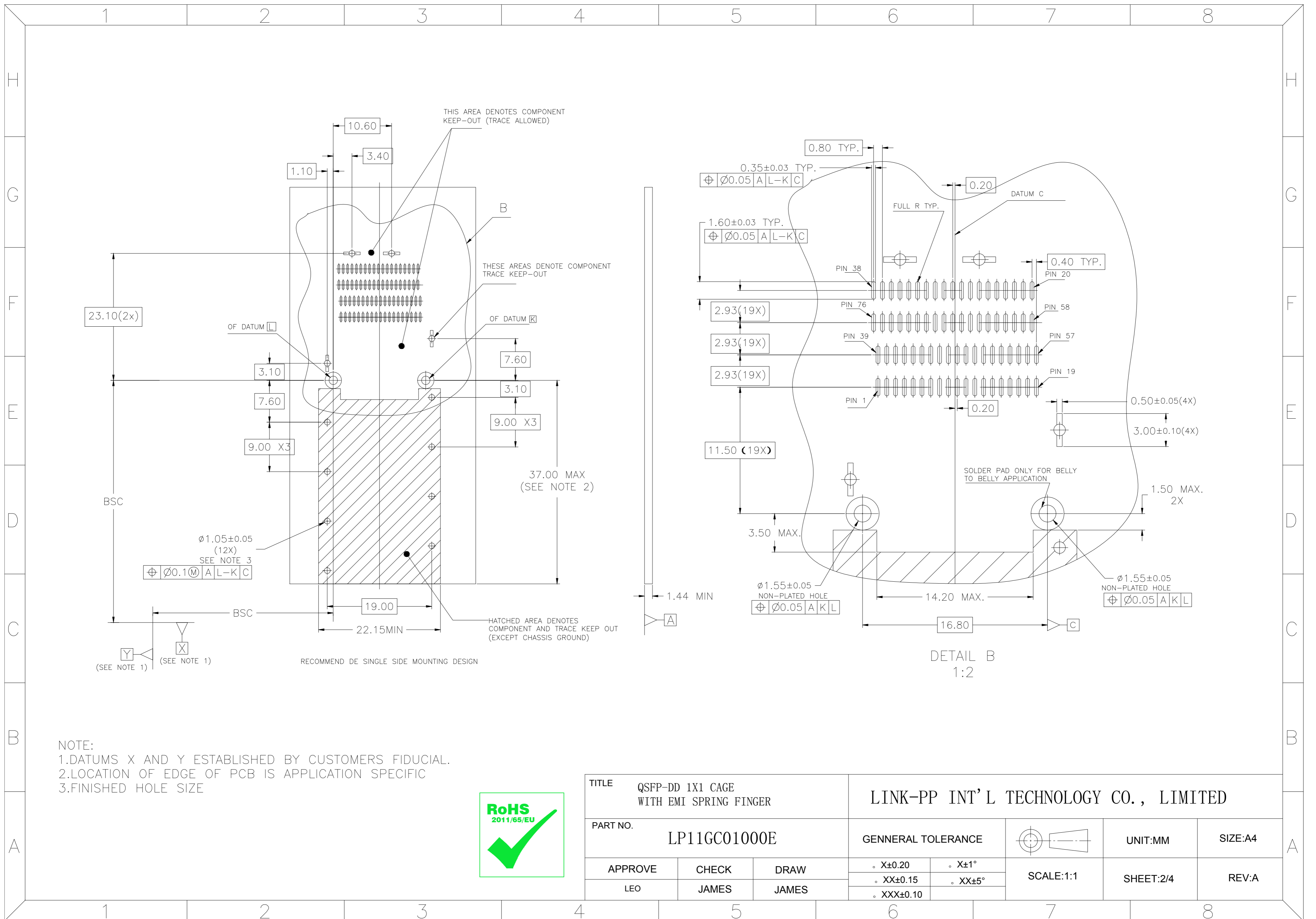
NOTES:

- 1.MATERIAL:
CAGE AND EMI SPRINGS:STAINLESS STEEL
- 2.PACKAGING: TRAY PACKAGING
- 3.TEMPERATURE RANGE: -55°C TO +85°C



TITLE QSFP-DD 1X1 CAGE WITH EMI SPRING FINGER			LINK-PP INT'L TECHNOLOGY CO., LIMITED		
PART NO. LP11GC01000E			GENNERAL TOLERANCE		UNIT:MM
APPROVE	CHECK	DRAW	° X±0.20	° X±1°	SCALE:1:1
LEO	JAMES	JAMES	° XX±0.15	° XX±5°	SHEET:1/4
			° XXX±0.10		REV:A

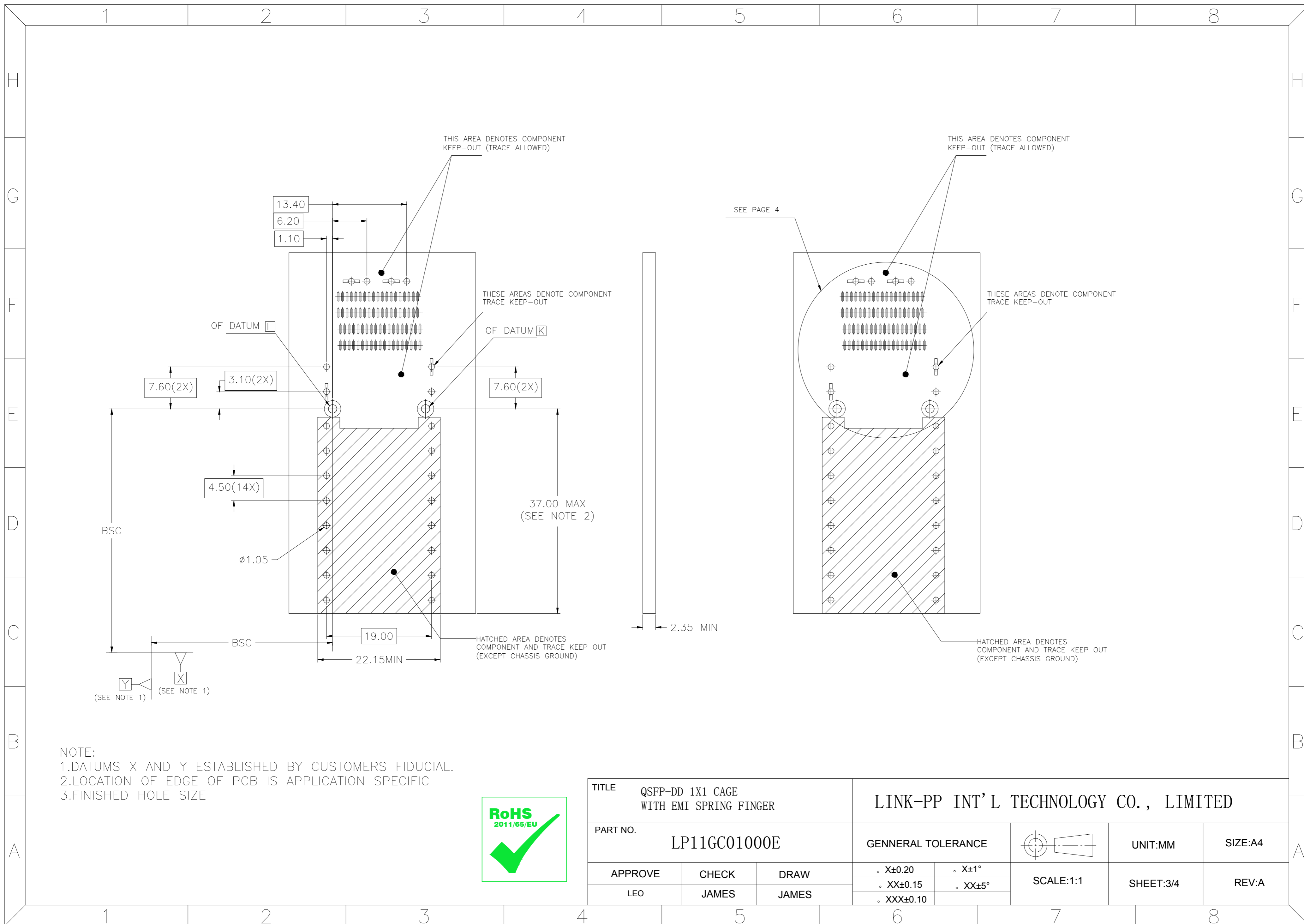




NOTE:
 1. DATUMS X AND Y ESTABLISHED BY CUSTOMER'S FIDUCIAL.
 2. LOCATION OF EDGE OF PCB IS APPLICATION SPECIFIC
 3. FINISHED HOLE SIZE



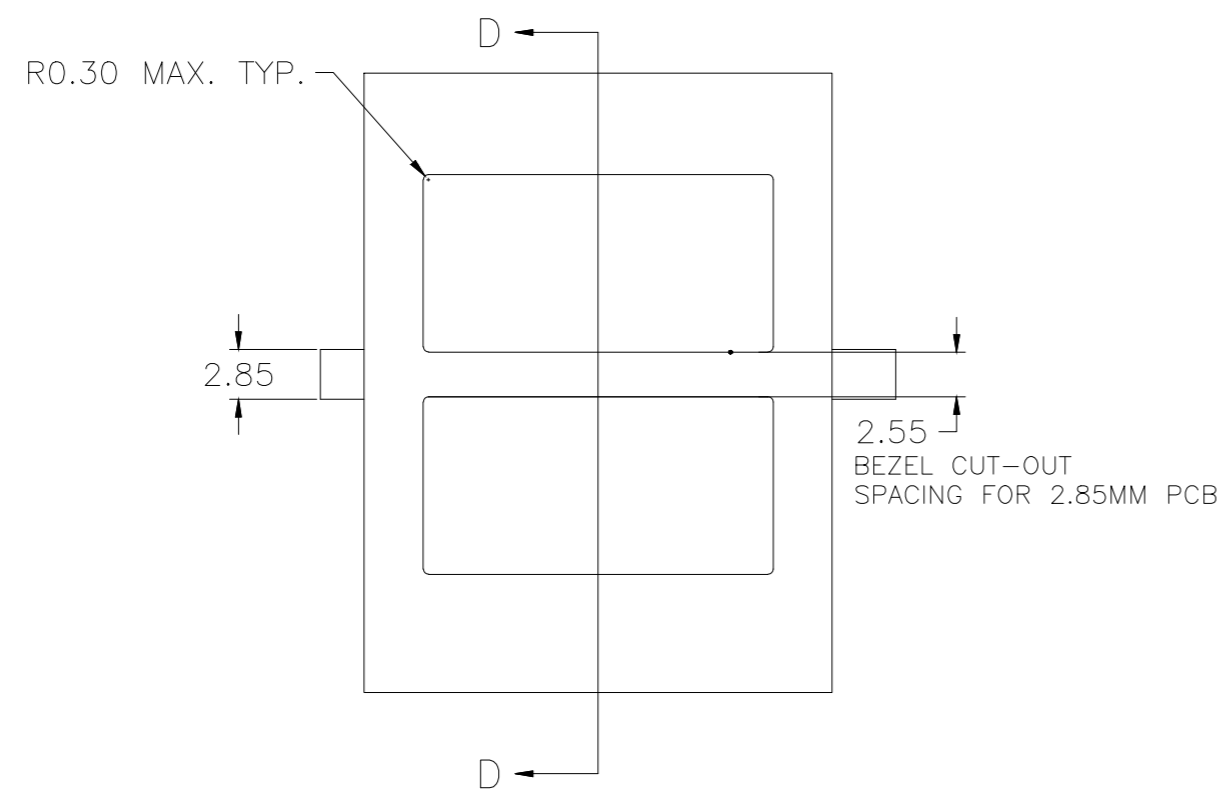
TITLE QSFP-DD 1X1 CAGE WITH EMI SPRING FINGER			LINK-PP INT'L TECHNOLOGY CO., LIMITED		
PART NO. LP11GC01000E			GENERAL TOLERANCE		UNIT:MM SIZE:A4
APPROVE LEO	CHECK JAMES	DRAW JAMES	$X \pm 0.20$ $XX \pm 0.15$ $XXX \pm 0.10$	$X \pm 1^\circ$ $XX \pm 5^\circ$	SCALE:1:1 SHEET:2/4 REV:A



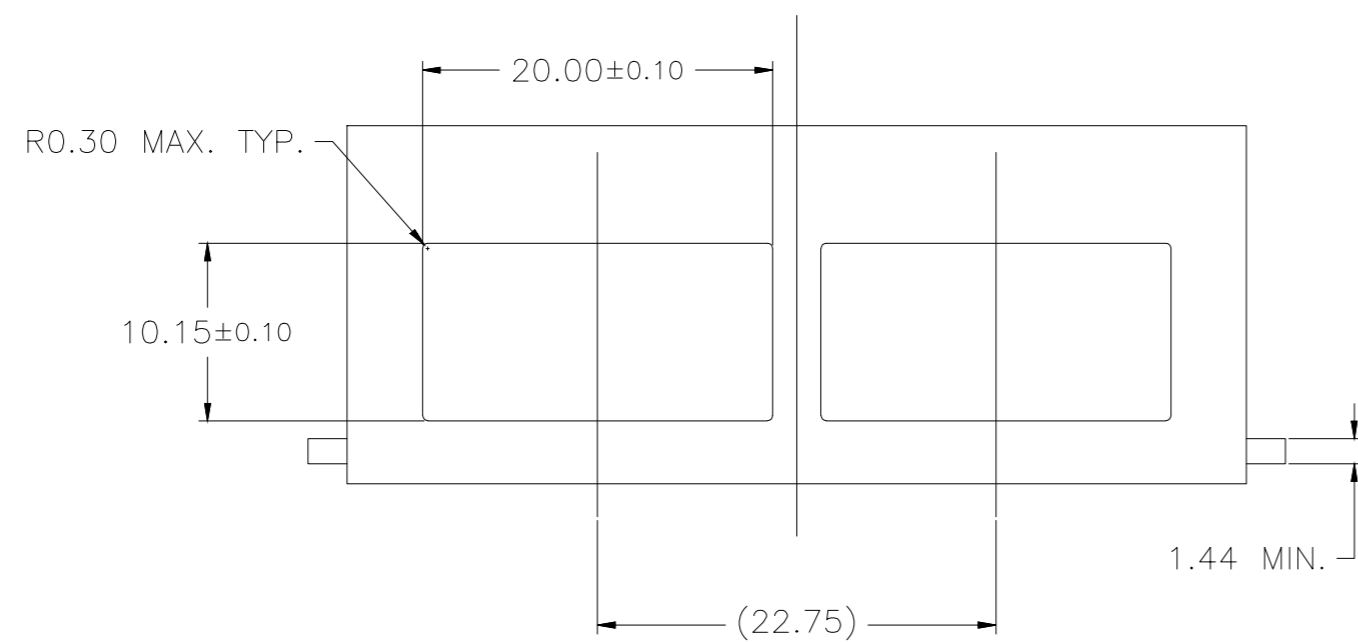
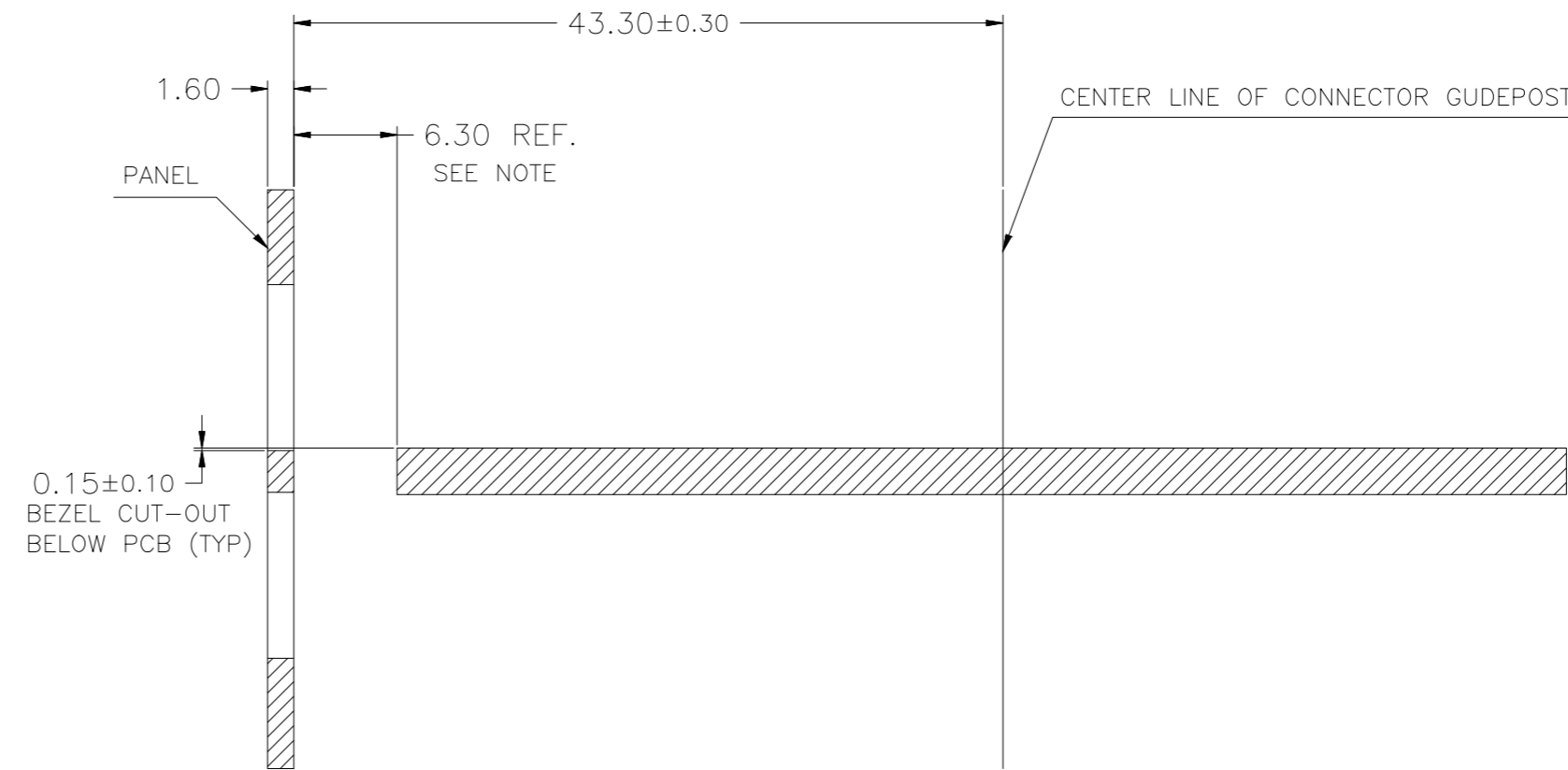
NOTE:
 1.DATUMS X AND Y ESTABLISHED BY CUSTOMERS FIDUCIAL.
 2.LOCATION OF EDGE OF PCB IS APPLICATION SPECIFIC
 3.FINISHED HOLE SIZE



TITLE QSFP-DD 1X1 CAGE WITH EMI SPRING FINGER			LINK-PP INT'L TECHNOLOGY CO., LIMITED		
PART NO. LP11GC01000E			GENNERAL TOLERANCE		UNIT:MM
APPROVE	CHECK	DRAW	° X±0.20	° X±1°	SCALE:1:1
LEO	JAMES	JAMES	° XX±0.15	° XX±5°	SHEET:3/4
			° XXX±0.10		REV:A



RECOMMENDED BELLY-TO-BELLY MOUNTING DESIGN



RECOMMENDED SINGLE SIDE MOUNTING DESIGN



TITLE QSFP-DD 1X1 CAGE WITH EMI SPRING FINGER			LINK-PP INT'L TECHNOLOGY CO., LIMITED			
PART NO. LP11GC01000E			GENNERAL TOLERANCE		UNIT:MM	SIZE:A4
APPROVE	CHECK	DRAW	° X±0.20	° X±1°	SCALE:1:1	SHEET:4/4
LEO	JAMES	JAMES	° XX±0.15	° XX±5°		
			° XXX±0.10			