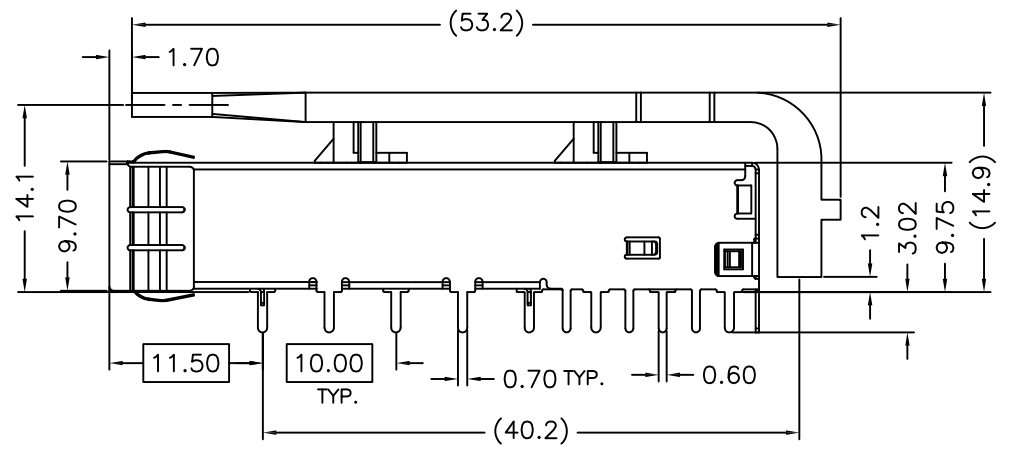
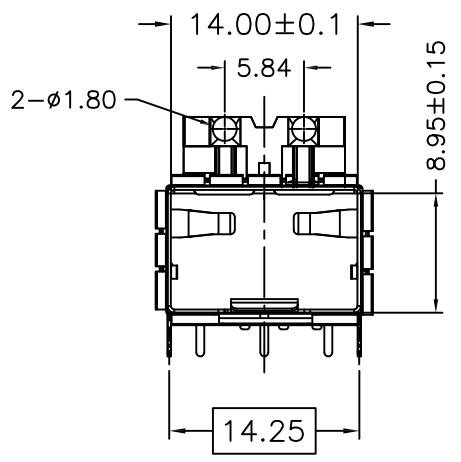
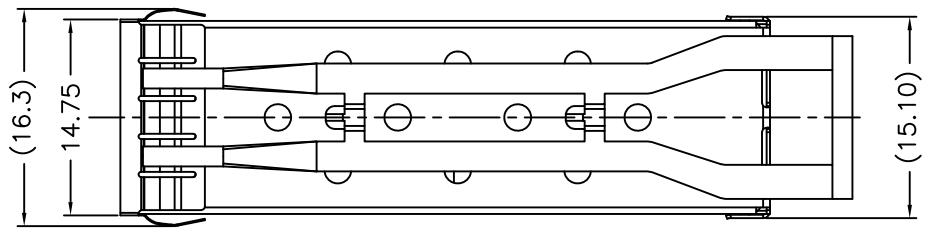
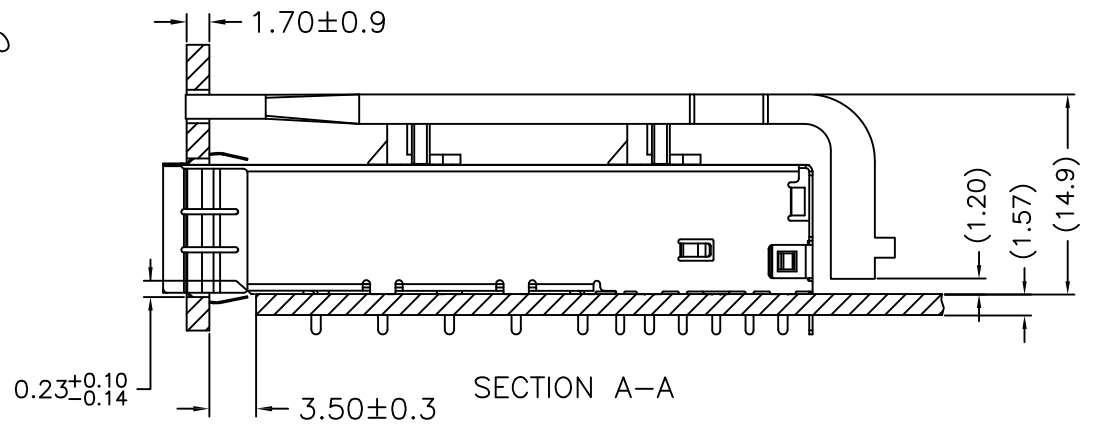
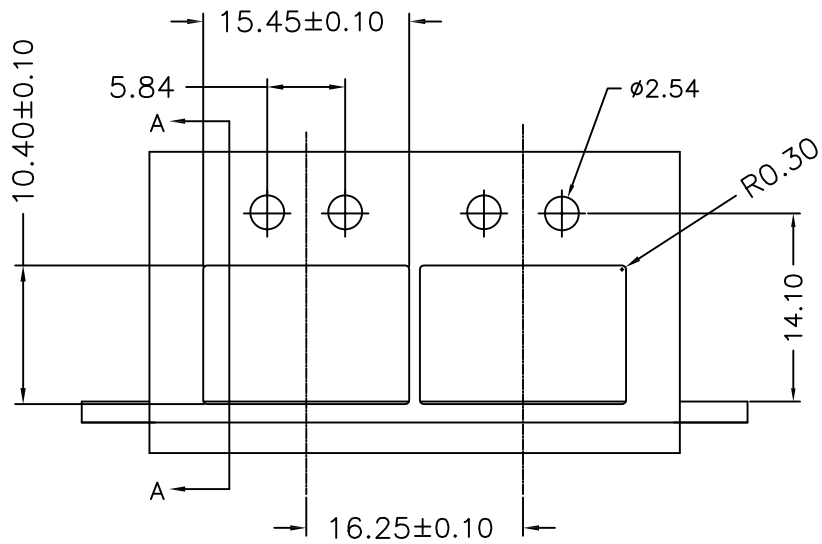


6	7	8	
REV	DESCRIPTION OF CHANGE	REVIEWED BY	ISSUE DATE
A	FIRST ISSUE	James	2022-03-30

NOTES:
 1.MATERIAL:
 CAGE: COPPER ALLOY, Ni PLATED
 THICKNESS 0.25mm
 LIGHT PIPE: CLEAR POLYCARBONATE
 2.PACKAGING: TRAY PACKAGING
 3.TEMPERATURE RANGE: -55°C TO +85°C



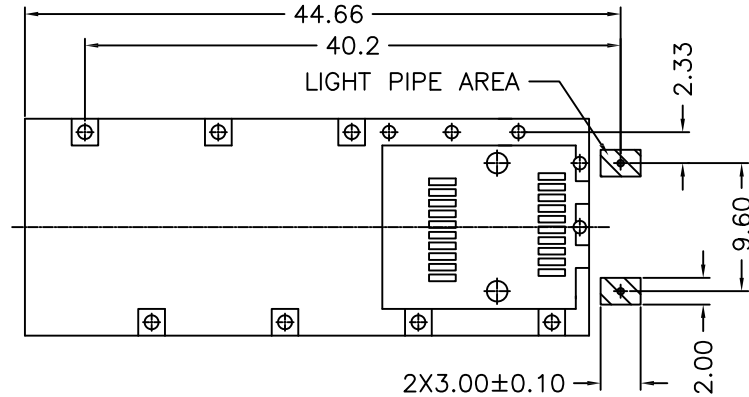
TITLE			LINK-PP INT'L TECHNOLOGY CO., LIMITED				
SFP+ 1X1 CAGE, WITH LIGHT PIPE							
PART NO.		LP11BCS2301		GENERAL TOLERANCE		UNIT:MM	SIZE: A4
				.X±0.20		.X±1'	SCALE: 1:1
				.XX±0.15		.XX±5'	
				.XXX±0.10			
APPROVE	CHECK	DRAW				SHEET:1/3	REV:A
James	Kevin	Kevin					



RECOMMENDED BEZEL DESIGN

NOTES:

- ▲ MINIMUM PITCH ILLUSTRATED, ENGLISH DIMENSIONS ARE FOR REFERENCE ONLY



ECOMMENDED PCB CONFIGURATION



TITLE SFP+ 1X1 CAGE, WITH LIGHT PIPE			LINK-PP INT'L TECHNOLOGY CO., LIMITED				
PART NO. LP11BCS2301			GENERAL TOLERANCE			UNIT:MM	SIZE: A4
APPROVE	CHECK	DRAW	.X±0.20	.X±1'	SCALE: 1:1	SHEET:3/3	REV:A
James	Kevin	Kevin	.XX±0.15	.XX±5'			
			.XXX±0.10				