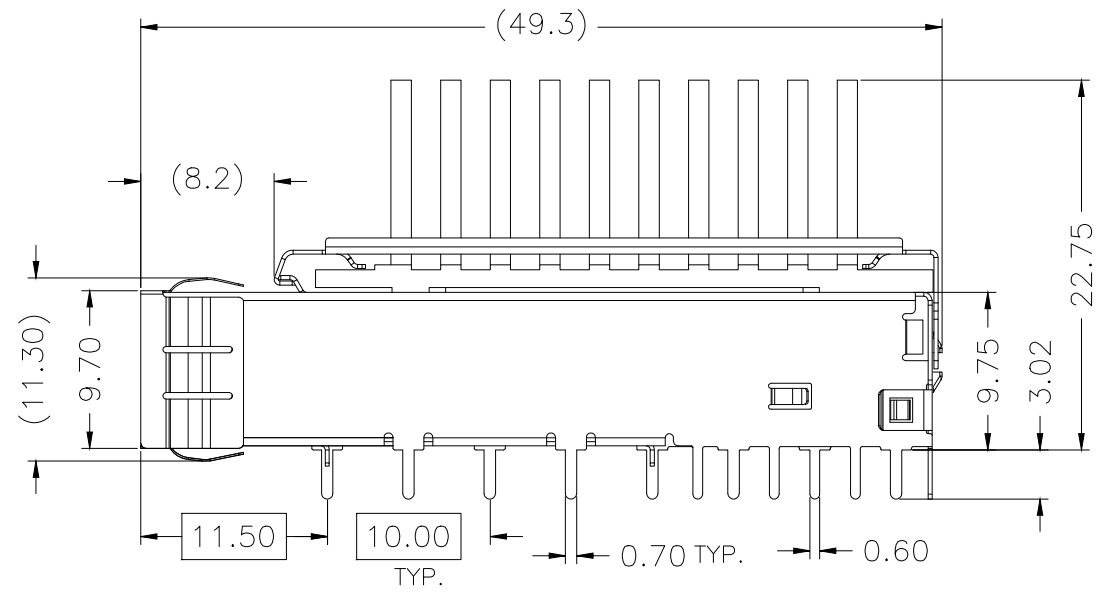
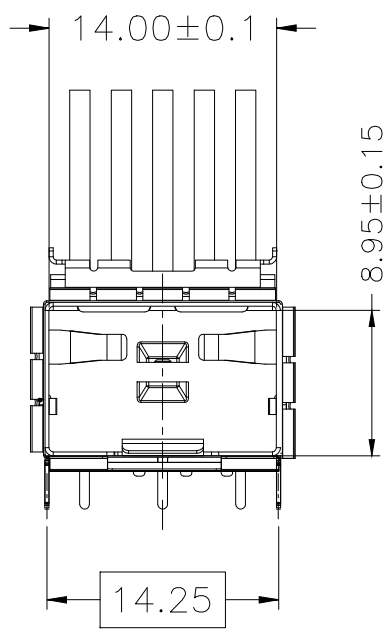
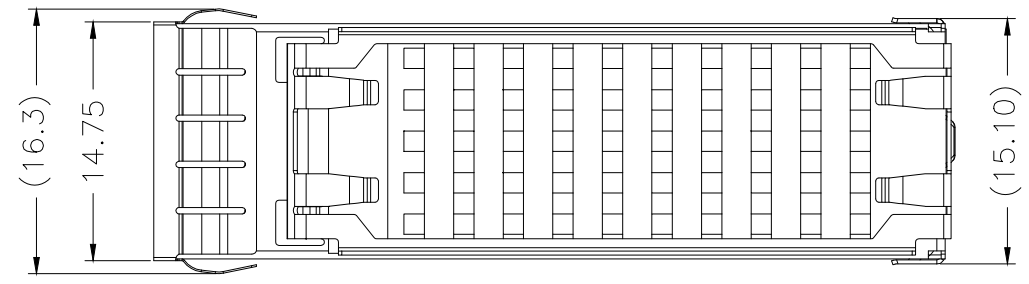
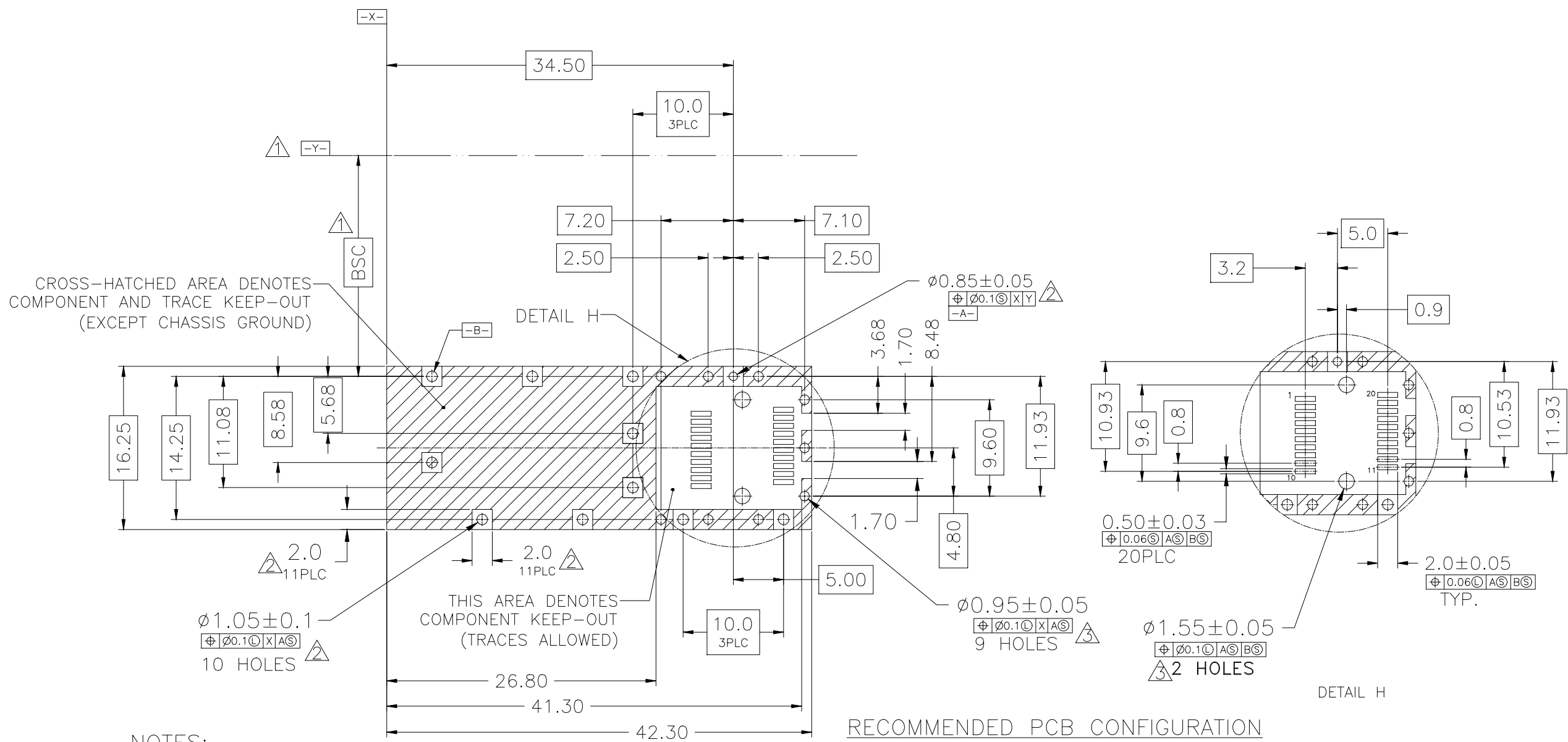


REV	DESCRIPTION OF CHANGE	REVIEWED BY	ISSUE DATE
A	FIRST ISSUE	James	2021-08-01

NOTES:
 1.MATERIAL:
 CAGE: COPPER ALLOY, Ni PLATED
 THICKNESS 0.25mm
 HEAT SINK : ALUMINUM(SURFACE TREATMENT:
 BLACK OXIDE)
 CLIP: STAINLESS STEEL
 2.PACKAGING: TRAY PACKAGING
 3.TEMPERATURE RANGE: -55°C TO +85°C



TITLE			SFP+ 1X1 CAGE WITH EMI SPRING FINGER HEAT SINK		LINK-PP INT'L TECHNOLOGY CO., LIMITED			
PART NO.			LP11BCS2060		GENERAL TOLERANCE		UNIT:MM	SIZE: A4
APPROVE			CHECK		DRAW		SCALE: 1:1	SHEET:1/3
James			Kevin		Kevin			
					.X±0.20		.X±1*	
					.XX±0.15		.XX±5*	
					.XXX±0.10			

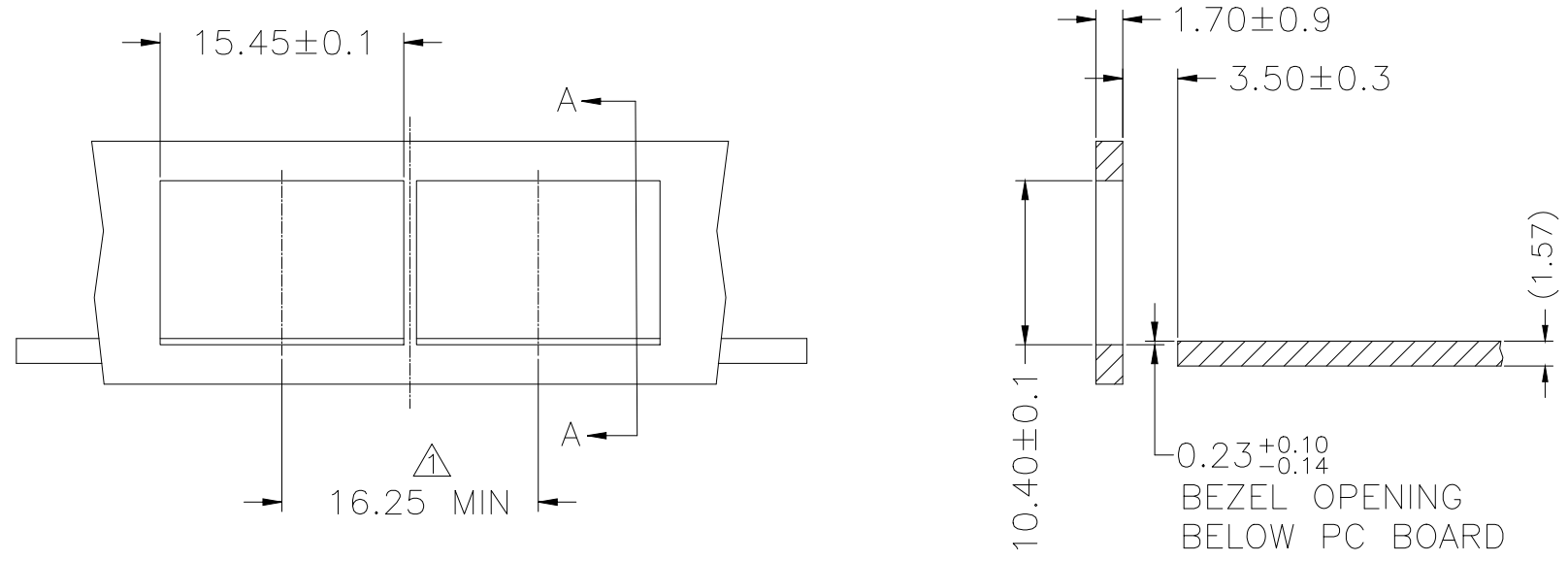


NOTES:

- 1. DATUM AND BASIC DIMENSIONS ESTABLISHED BY CUSTOMER
- 2. PADS AND VIAS ARE CHASSIS GROUND, 11 PLACES
- 3. THRU HOLES, PLATING OPTIONAL



TITLE			SFP+ 1X1 CAGE WITH EMI SPRING FINGER HEAT SINK		LINK-PP INT'L TECHNOLOGY CO., LIMITED				
PART NO.			LP11BCS2060		GENERAL TOLERANCE			UNIT:MM	SIZE: A4
APPROVE	CHECK	DRAW	.X±0.20	.X±1*	SCALE: 1:1	SHEET:2/3	REV:A		
James	Kevin	Kevin	.XX±0.15	.XX±5*					
			.XXX±0.10						



SECTION A-A

RECOMMENDED BEZEL DESIGN

NOTES:
 ▲ MINIMUM PITCH ILLUSTRATED, ENGLISH DIMENSIONS ARE FOR REFERENCE ONLY



TITLE			SFP+ 1X1 CAGE WITH EMI SPRING FINGER HEAT SINK		LINK-PP INT'L TECHNOLOGY CO., LIMITED			
PART NO.			LP11BCS2060		GENERAL TOLERANCE		UNIT:MM	SIZE: A4
APPROVE	CHECK	DRAW	.X±0.20	.X±1*	SCALE: 1:1	SHEET:3/3	REV:A	
James	Kevin	Kevin	.XX±0.15	.XX±5*				
			.XXX±0.10					