

REV	DESCRIPTION OF CHANGE	REVIEWED BY	ISSUE DATE
A	FIRST ISSUE	JAMES	2021-09-02

NOTES:

1.MATERIAL:

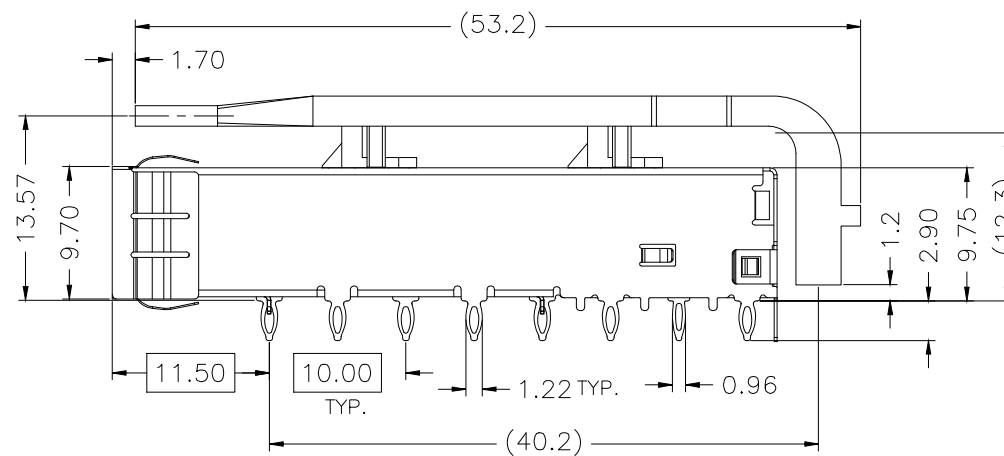
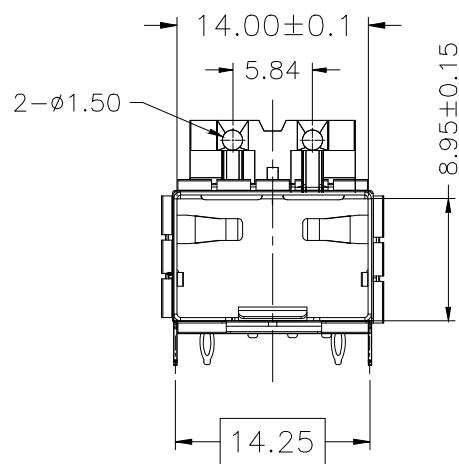
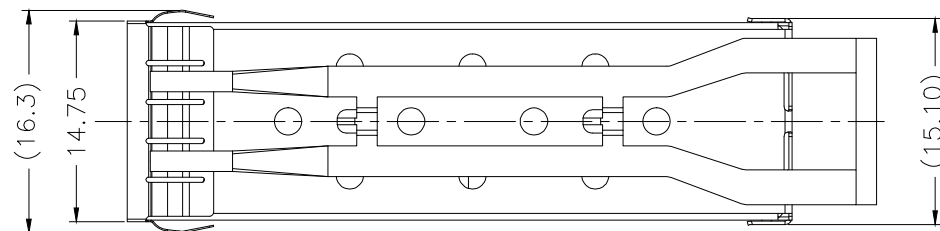
CAGE: COPPER ALLOY, Ni PLATED

THICKNESS 0.25mm

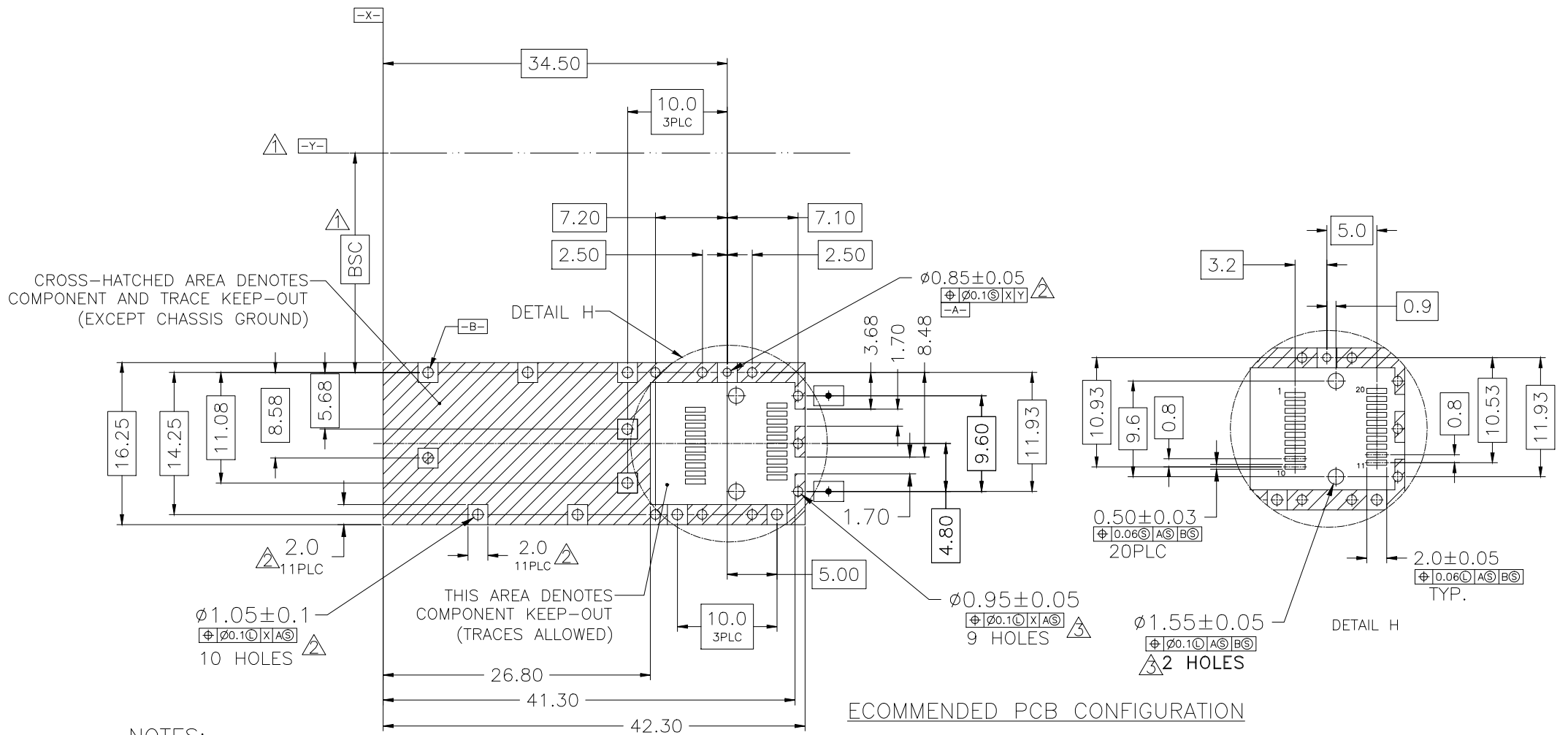
LIGHT PIPE: CLEAR POLYCARBONATE

2.PACKAGING: TRAY PACKAGING

3.TEMPERATURE RANGE: -55°C TO +85°C



TITLE			LINK-PP INT'L TECHNOLOGY CO., LIMITED			
SFP+ 1X1 CAGE, WITH LIGHT PIPE						
PART NO.			GENERAL TOLERANCE		UNIT:MM	SIZE: A4
LP11BC02200						
APPROVE	CHECK	DRAW	.X±0.20	.X±1'	SCALE: 1:1	SHEET:1/3
James	Kevin	Kevin	.XX±0.15	.XX±5°		
			.XXX±0.10			
					REV:A	

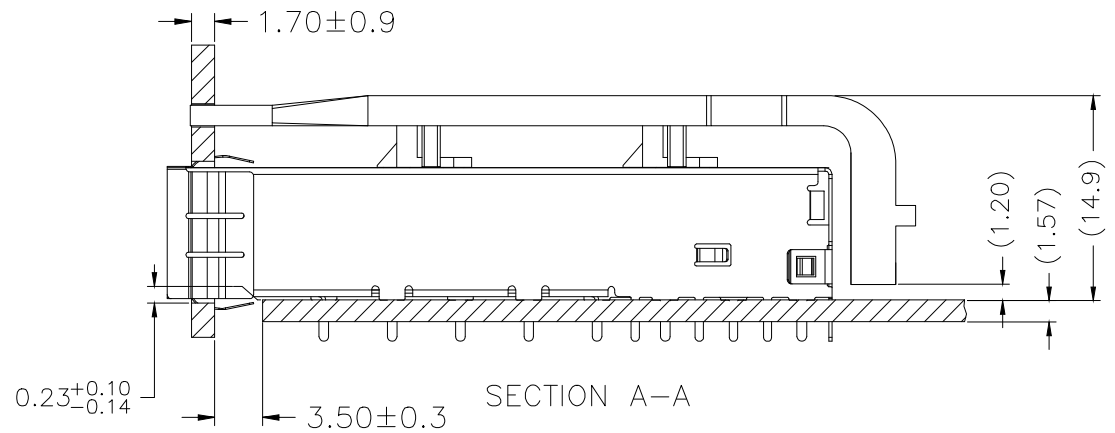
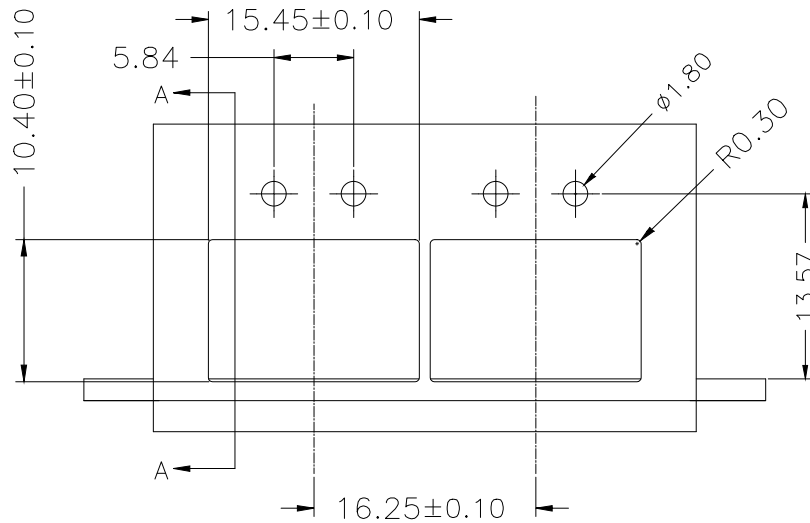


NOTES:

- 1. DATUM AND BASIC DIMENSIONS ESTABLISHED BY CUSTOMER
- 2. PADS AND VIAS ARE CHASSIS GROUND, 11 PLACES
- 3. THRU HOLES, PLATING OPTIONAL



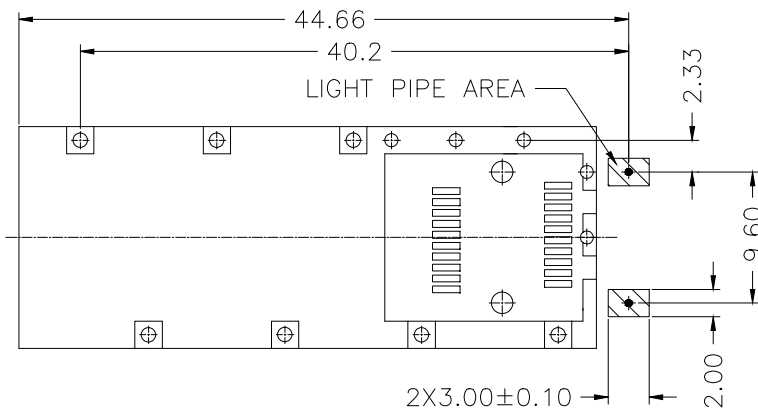
TITLE			LINK-PP INT'L TECHNOLOGY CO., LIMITED				
SFP+ 1X1 CAGE, WITH LIGHT PIPE							
PART NO.		LP11BC02200	GENERAL TOLERANCE			UNIT:MM	SIZE: A4
APPROVE	CHECK	DRAW	.X±0.20	.X±1'	SCALE: 1:1	SHEET:2/3	REV:A
James	Kevin	Kevin	.XX±0.15	.XX±5'			
			.XXX±0.10				



RECOMMENDED BEZEL DESIGN

NOTES:

- ▲ MINIMUM PITCH ILLUSTRATED, ENGLISH DIMENSIONS ARE FOR REFERENCE ONLY



ECOMMENDED PCB CONFIGURATION



TITLE			LINK-PP INT'L TECHNOLOGY CO., LIMITED				
SFP+ 1X1 CAGE, WITH LIGHT PIPE							
PART NO.		LP11BC02200	GENERAL TOLERANCE			UNIT:MM	SIZE: A4
APPROVE	CHECK	DRAW	.X±0.20	.X±1'	SCALE: 1:1	SHEET:3/3	REV:A
James	Kevin	Kevin	.XX±0.15	.XX±5'			
			.XXX±0.10				