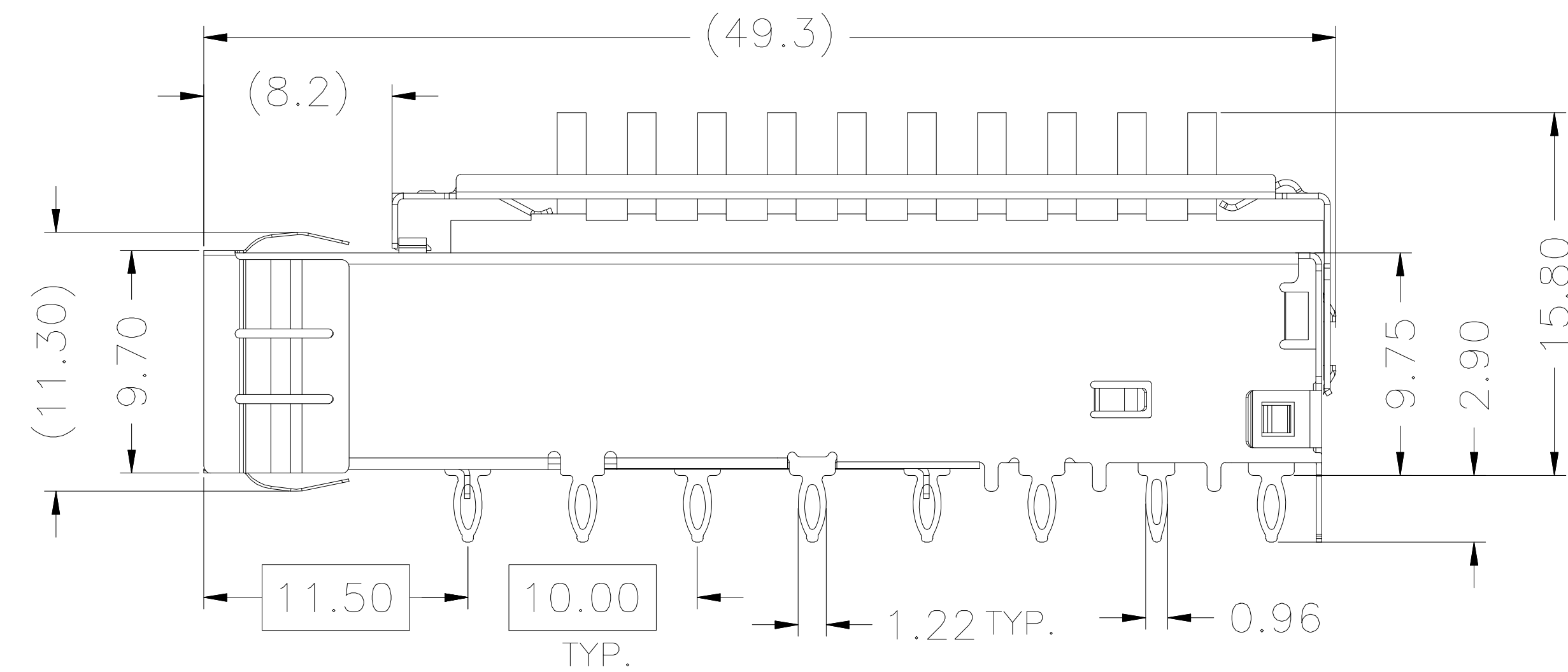
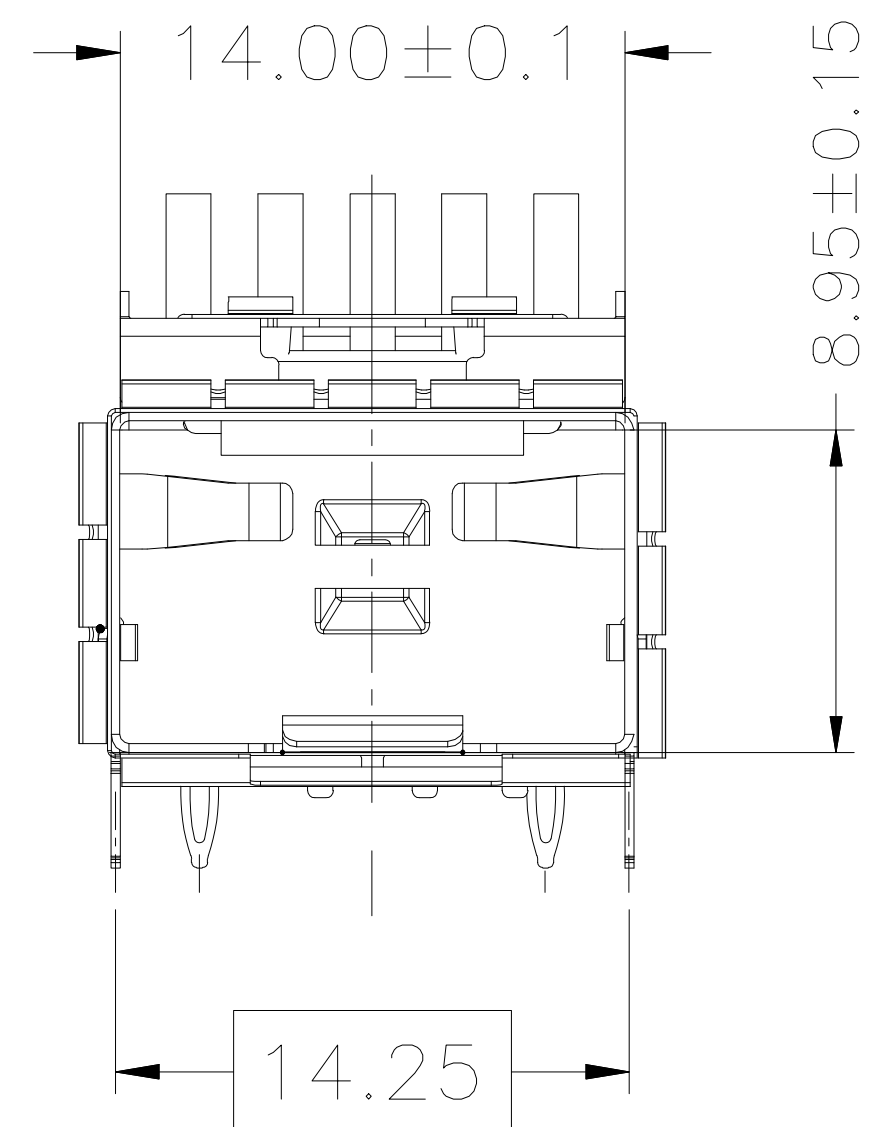
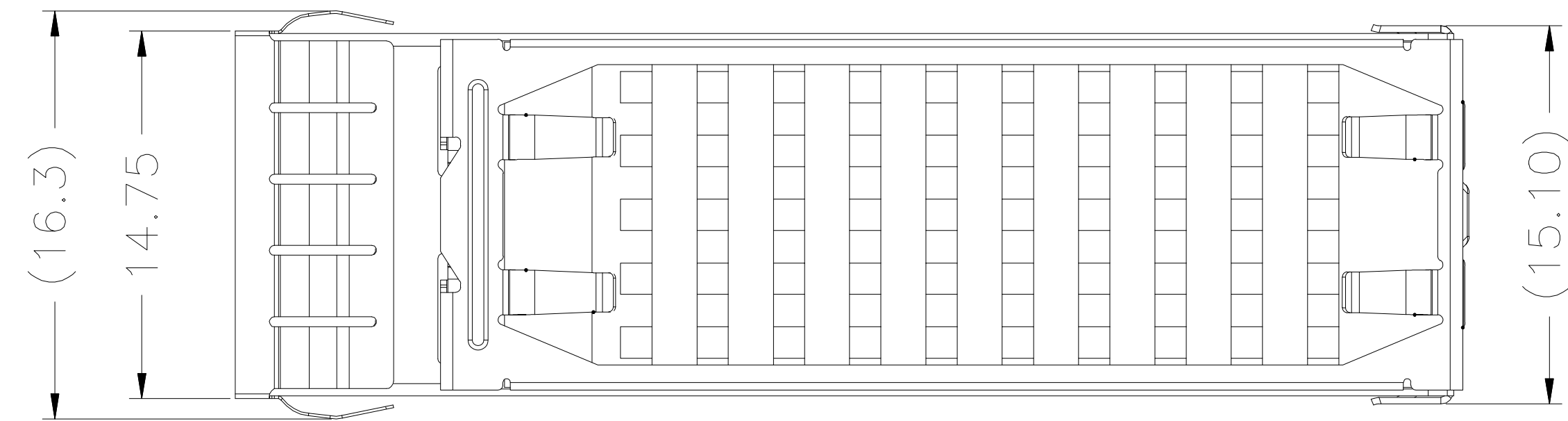
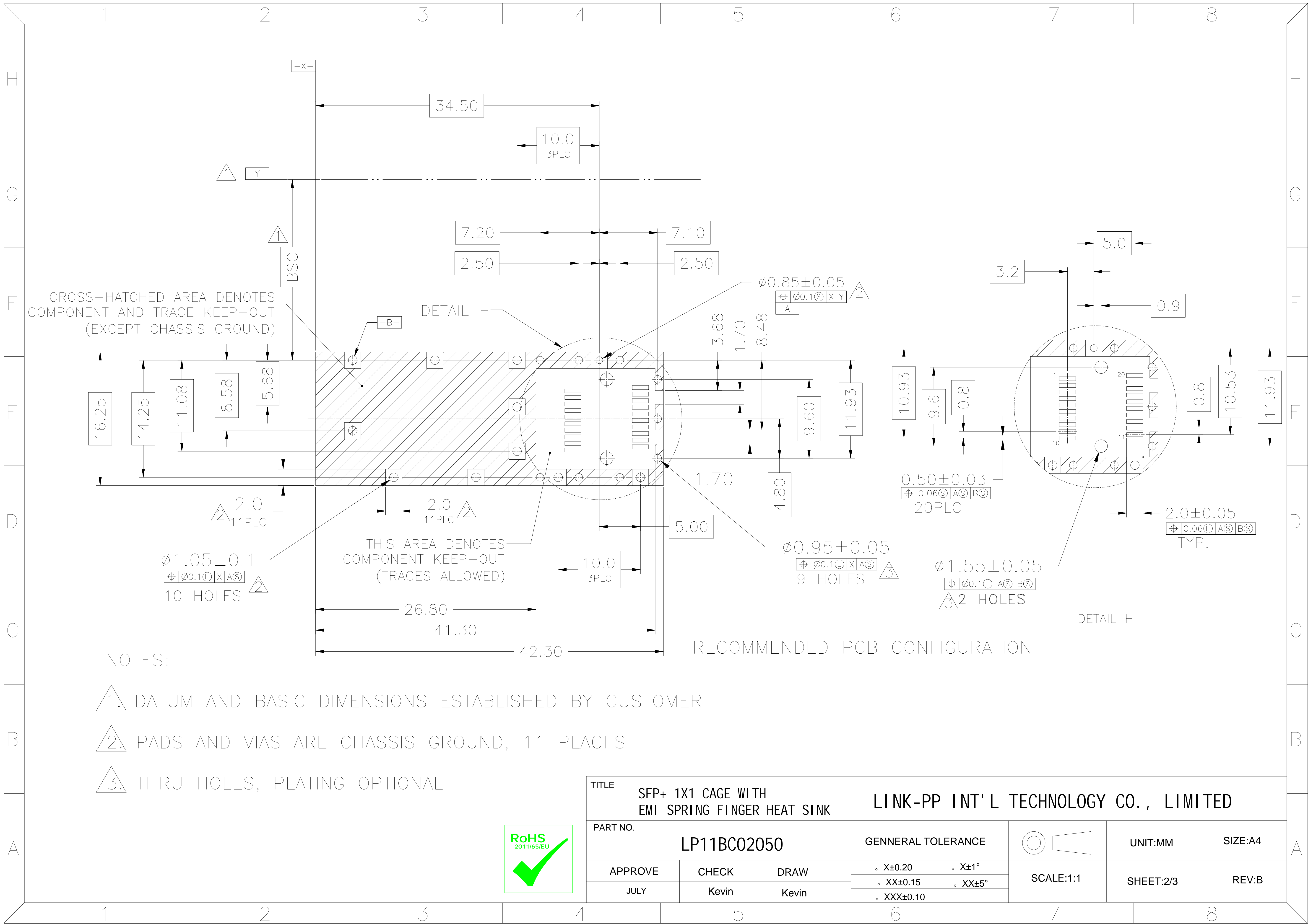


REV	DESCRIPTION OF CHANGE	REVIEWED BY	ISSUE DATE
B	FIRST ISSUE	JULY	2023-11-20

NOTES:
 1.MATERIAL:
 CAGE: COPPER ALLOY, Ni PLATED
 THICKNESS 0.25mm
 HEAT SINK : ALUMINUM(SURFACE TREATMENT:
 BLACK OXIDE)
 CLIP: STAINLESS STEEL
 2.PACKAGING: TRAY PACKAGING
 3.TEMPERATURE RANGE: -55°C TO +85°C



TITLE			SFP+ 1X1 CAGE WITH EMI SPRING FINGER HEAT SINK		LINK-PP INT'L TECHNOLOGY CO., LIMITED			
PART NO.			LP11BC02050		GENNERAL TOLERANCE		UNIT:MM	SIZE:A4
APPROVE	CHECK	DRAW	. X±0.20	. X±1°	SCALE:1:1		SHEET:1/3	REV:B
JULY	Kevin	Kevin	. XX±0.15	. XX±5°				
			. XXX±0.10					

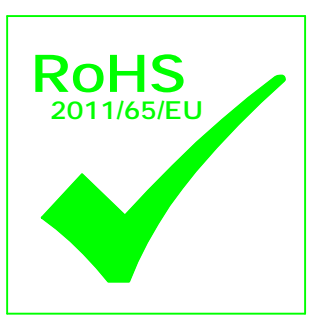


CROSS-HATCHED AREA DENOTES COMPONENT AND TRACE KEEP-OUT (EXCEPT CHASSIS GROUND)

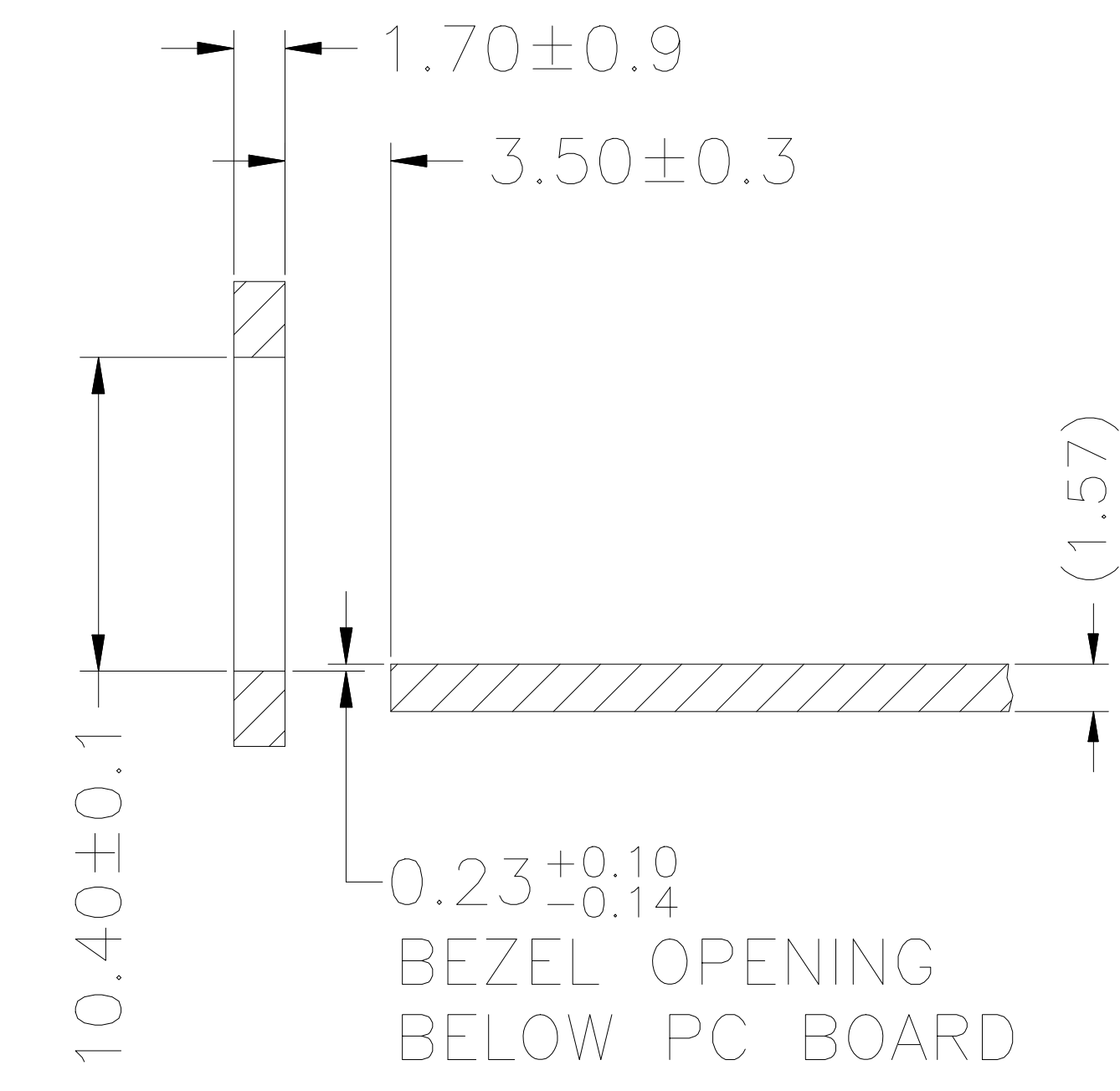
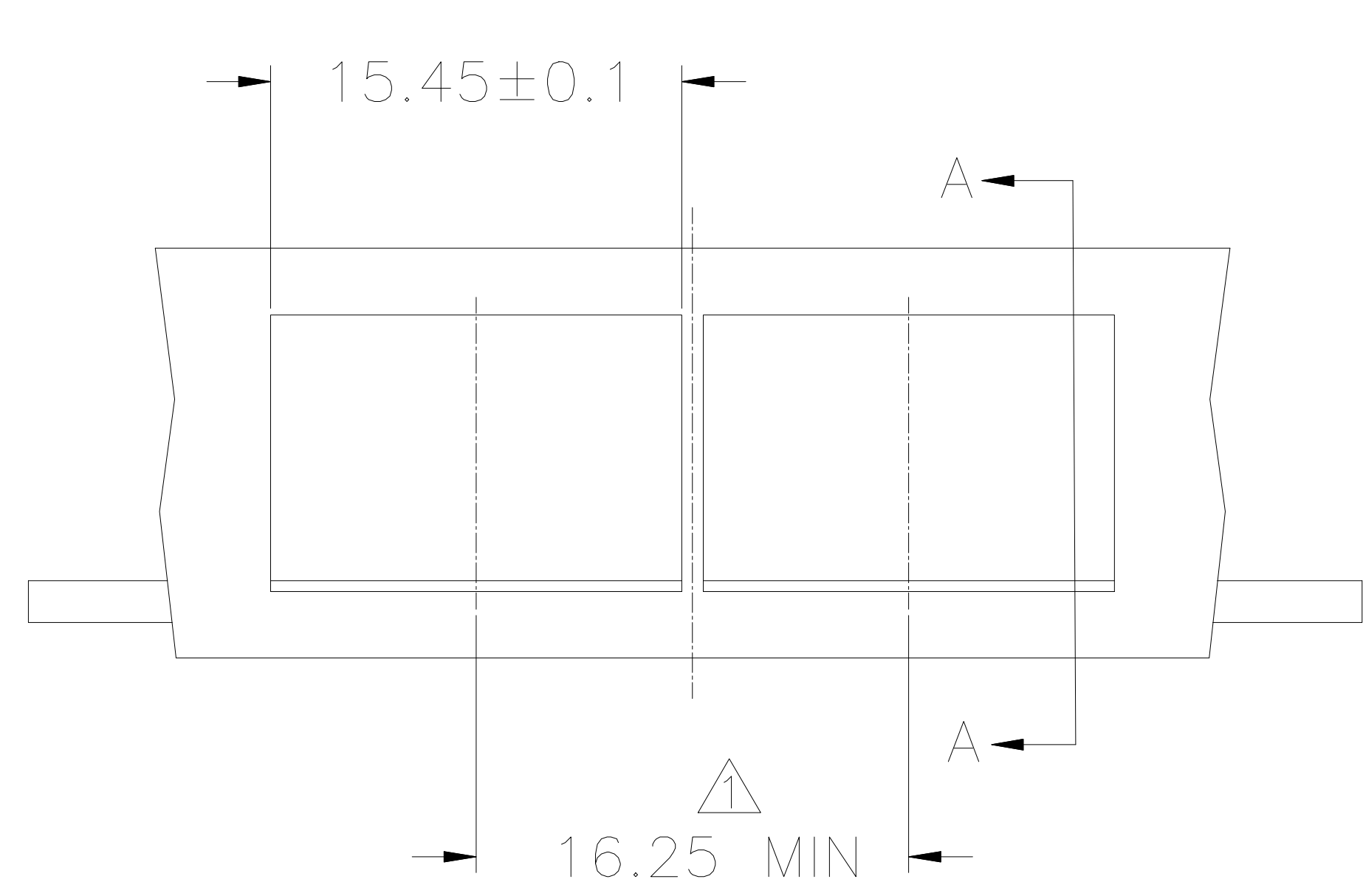
THIS AREA DENOTES COMPONENT KEEP-OUT (TRACES ALLOWED)

NOTES:

- 1. DATUM AND BASIC DIMENSIONS ESTABLISHED BY CUSTOMER
- 2. PADS AND VIAS ARE CHASSIS GROUND, 11 PLACFS
- 3. THRU HOLES, PLATING OPTIONAL



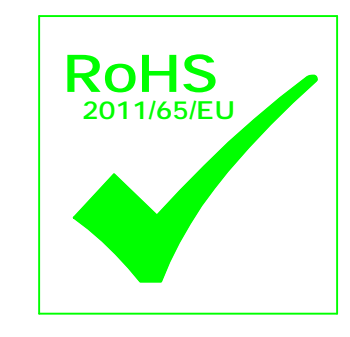
TITLE SFP+ 1X1 CAGE WITH EMI SPRING FINGER HEAT SINK			LINK-PP INT'L TECHNOLOGY CO., LIMITED			
PART NO. LP11BC02050			GENNERAL TOLERANCE		UNIT:MM	SIZE:A4
APPROVE	CHECK	DRAW	° X±0.20	° X±1°	SCALE:1:1	SHEET:2/3
JULY	Kevin	Kevin	° XX±0.15	° XX±5°		
			° XXX±0.10			



SECTION A-A

RECOMMENDED BEZEL DESIGN

NOTES:
 ▲ MINIMUM PITCH ILLUSTRATED, ENGLISH DIMENSIONS ARE FOR REFERENCE ONLY



TITLE			SFP+ 1X1 CAGE WITH EMI SPRING FINGER HEAT SINK		LINK-PP INT'L TECHNOLOGY CO., LIMITED			
PART NO.			LP11BC02050		GENNERAL TOLERANCE		UNIT:MM	SIZE:A4
APPROVE	CHECK	DRAW	° X±0.20	° X±1°	SCALE:1:1	SHEET:3/3	REV:B	
JULY	Kevin	Kevin	° XX±0.15	° XX±5°				
			° XXX±0.10					