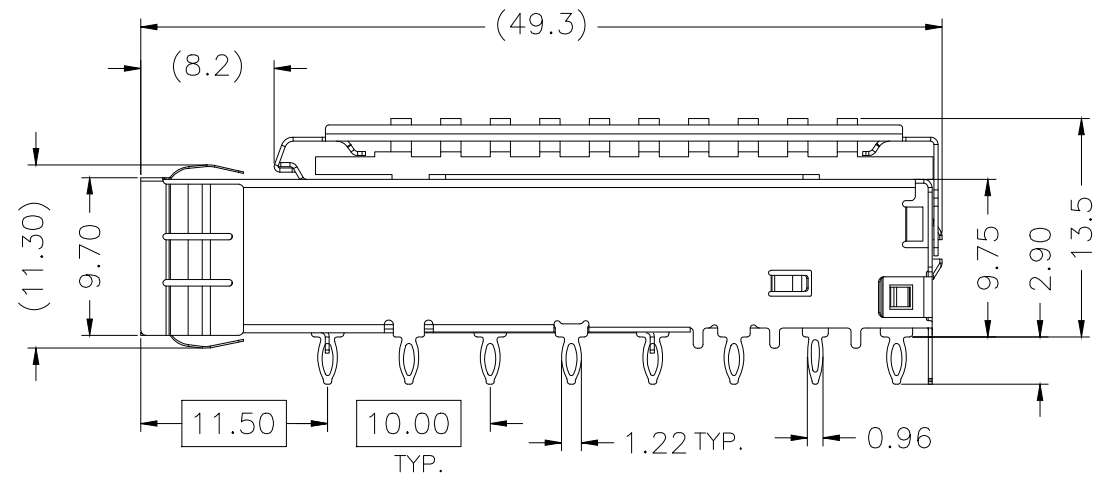
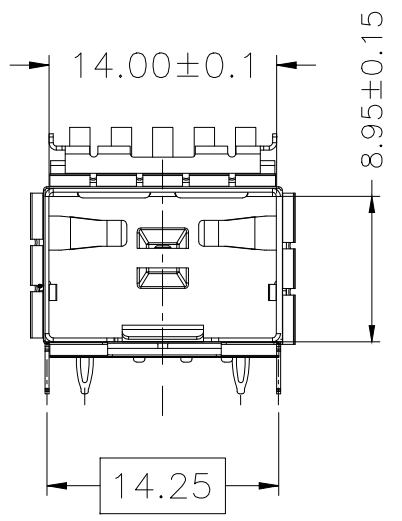
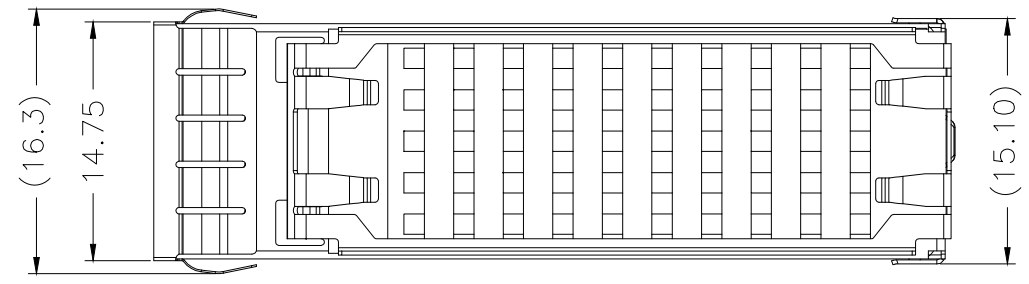
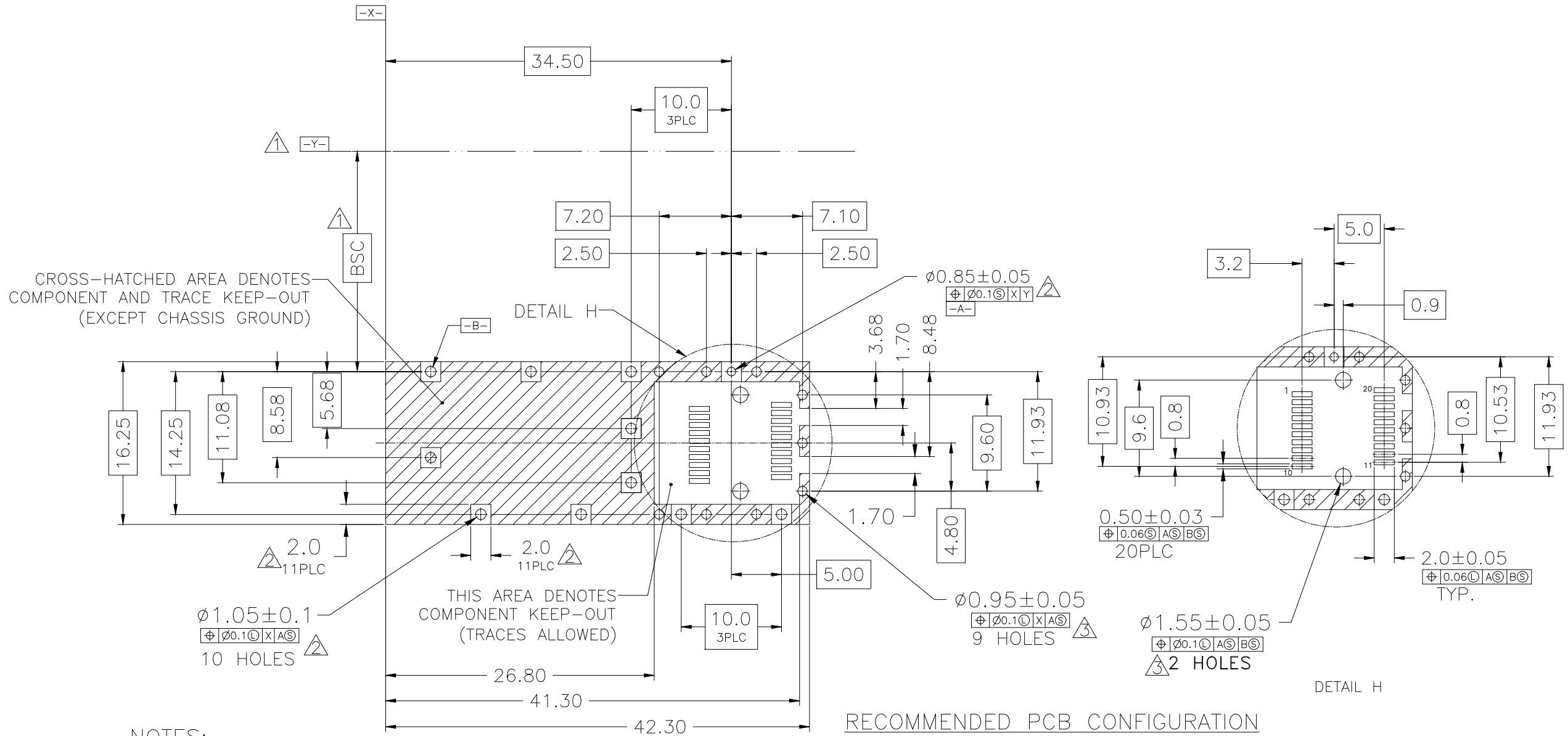


| REV | DESCRIPTION OF CHANGE | REVIEWED BY | ISSUE DATE |
|-----|-----------------------|-------------|------------|
| A | FIRST ISSUE | JAMES | 2021-09-02 |

NOTES:
 1.MATERIAL:
 CAGE: COPPER ALLOY, Ni PLATED
 THICKNESS 0.25mm
 HEAT SINK : ALUMINUM(SURFACE TREATMENT:
 BLACK OXIDE)
 CLIP: STAINLESS STEEL
 2.PACKAGING: TRAY PACKAGING
 3.TEMPERATURE RANGE: -55°C TO +85°C



| | | | | | | | |
|--|-------|-------|---------------------------------------|--------|------------|-----------|----------|
| TITLE SFP+ 1X1 CAGE WITH EMI SPRING FINGER HEAT SINK | | | LINK-PP INT'L TECHNOLOGY CO., LIMITED | | | | |
| PART NO. LP11BC02030 | | | GENERAL TOLERANCE | | | UNIT:MM | SIZE: A4 |
| APPROVE | CHECK | DRAW | .X±0.20 | .X±1* | SCALE: 1:1 | SHEET:1/3 | REV:A |
| James | Kevin | Kevin | .XX±0.15 | .XX±5* | | | |
| | | | .XXX±0.10 | | | | |

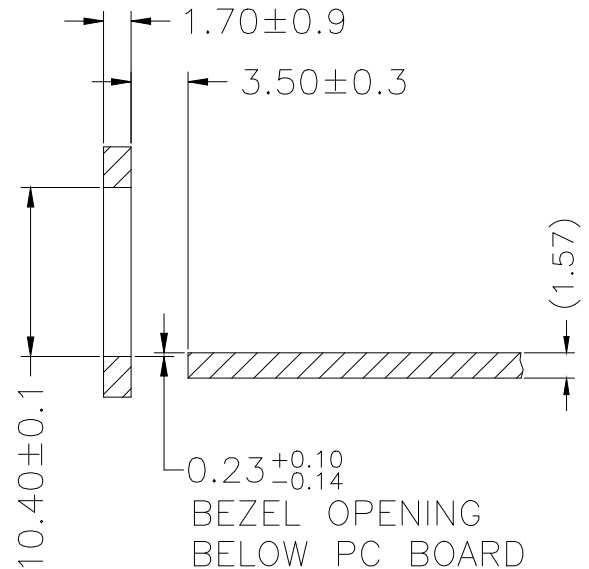
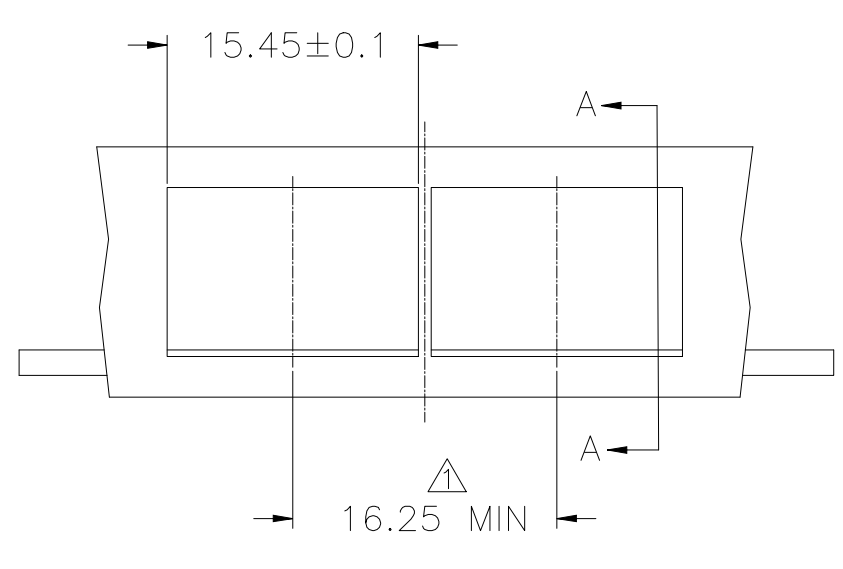


NOTES:

- 1. DATUM AND BASIC DIMENSIONS ESTABLISHED BY CUSTOMER
- 2. PADS AND VIAS ARE CHASSIS GROUND, 11 PLACES
- 3. THRU HOLES, PLATING OPTIONAL



| | | | | | | | |
|--|-------|-------|---------------------------------------|--------|------------|-----------|-------|
| TITLE SFP+ 1X1 CAGE WITH EMI SPRING FINGER HEAT SINK | | | LINK-PP INT'L TECHNOLOGY CO., LIMITED | | | | |
| PART NO. LP11BC02030 | | | GENERAL TOLERANCE | | UNIT:MM | SIZE: A4 | |
| APPROVE | CHECK | DRAW | .X±0.20 | .X±1* | SCALE: 1:1 | SHEET:2/3 | |
| James | Kevin | Kevin | .XX±0.15 | .XX±5* | | | REV:A |
| | | | .XXX±0.10 | | | | |



SECTION A-A

RECOMMENDED BEZEL DESIGN

NOTES:
 ⚠ MINIMUM PITCH ILLUSTRATED, ENGLISH DIMENSIONS ARE FOR REFERENCE ONLY



| | | | | | | | | |
|----------|-------|-------|--|--------|---------------------------------------|-----------|---------|----------|
| TITLE | | | SFP+ 1X1 CAGE WITH EMI SPRING FINGER HEAT SINK | | LINK-PP INT'L TECHNOLOGY CO., LIMITED | | | |
| PART NO. | | | LP11BC02030 | | GENERAL TOLERANCE | | UNIT:MM | SIZE: A4 |
| APPROVE | CHECK | DRAW | .X±0.20 | .X±1* | SCALE: 1:1 | SHEET:3/3 | REV:A | |
| James | Kevin | Kevin | .XX±0.15 | .XX±5* | | | | |
| | | | .XXX±0.10 | | | | | |