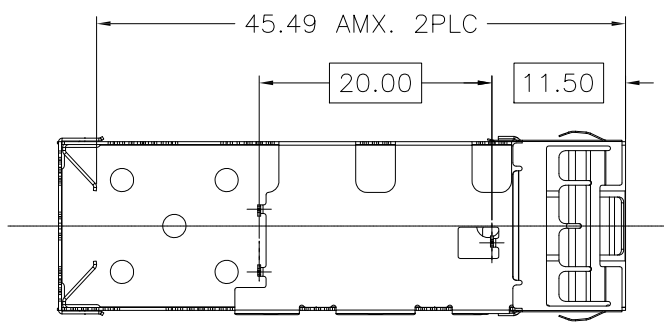
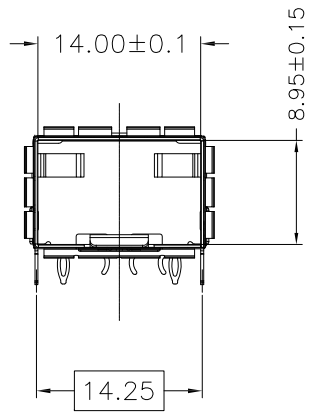
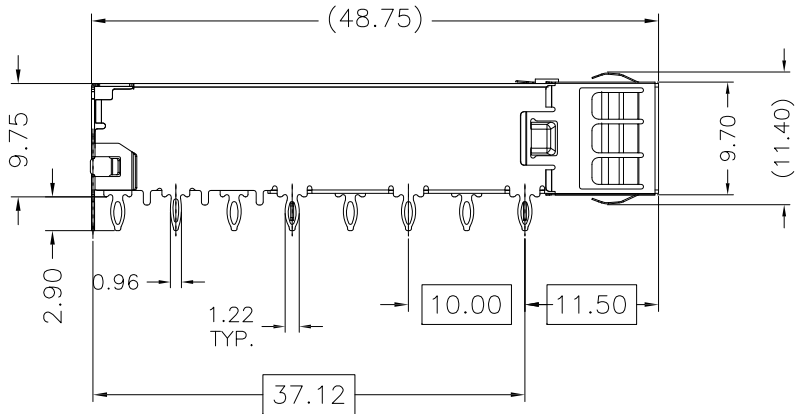
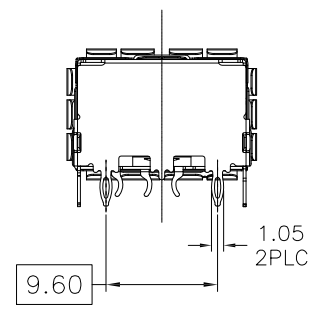
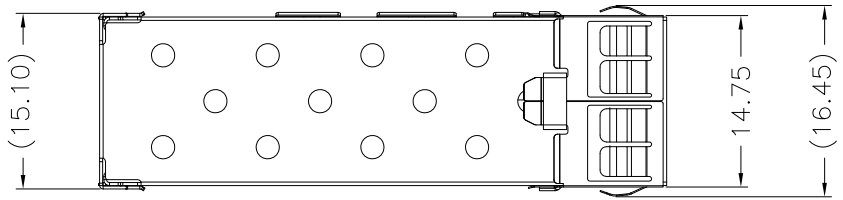


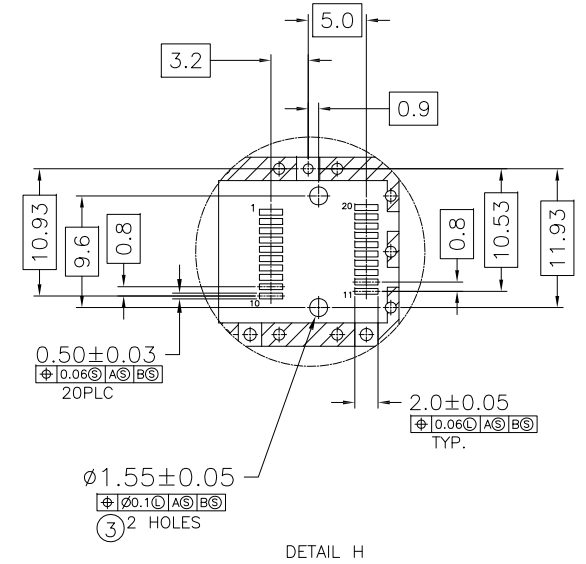
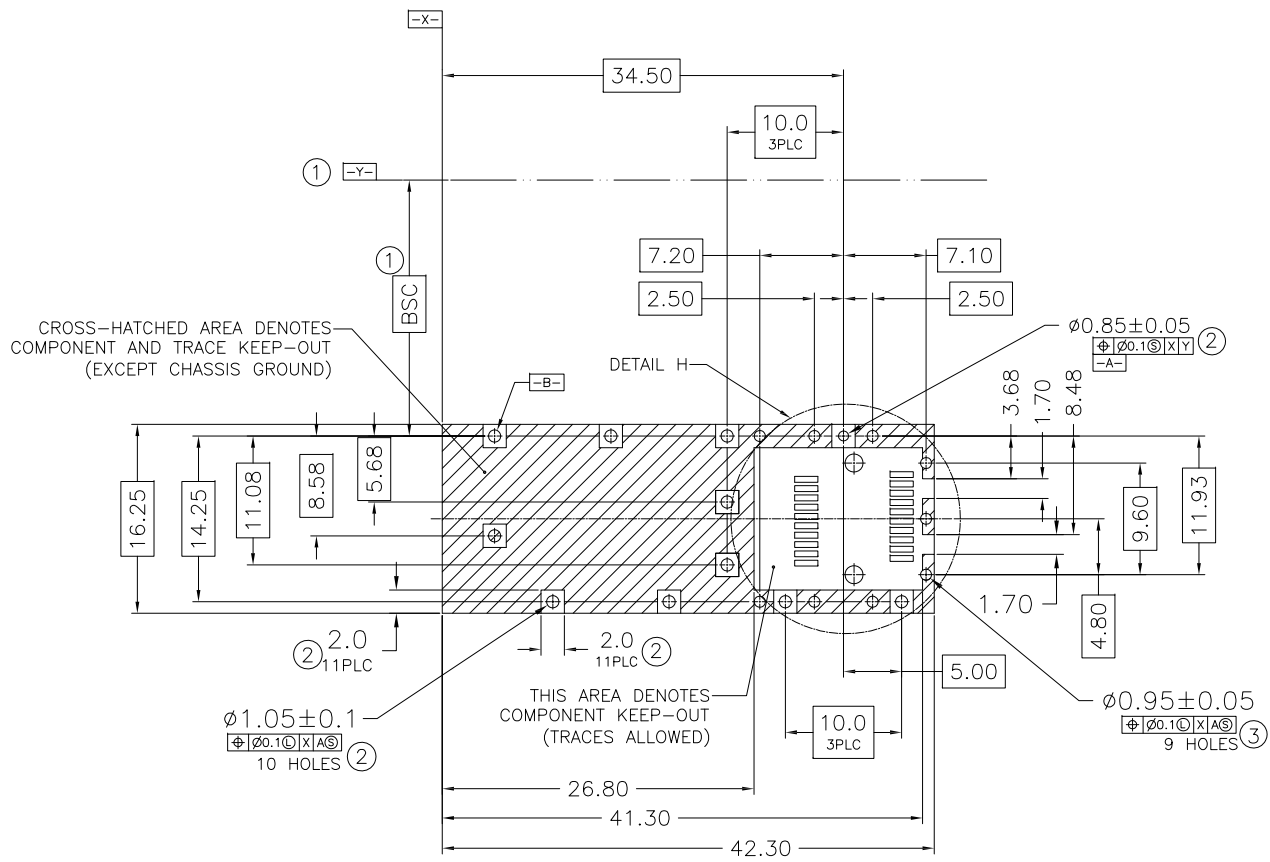
6	7	8
REV	DESCRIPTION OF CHANGE	ISSUE DATE
A	FIRST ISSUE	2021-10-10
REV	DESCRIPTION OF CHANGE	REVIEWED BY
A	FIRST ISSUE	LEO



NOTES:
 1.MATERIAL: COPPER ALLOY, THICKNESS 0.25mm, NI-PLATED
 2.PACKAGING: TRAY PACKAGING
 3.TEMPERATURE RANGE: -55°C TO +85°C



TITLE SFP+ 1x1 CAGE + WITH GROUNDING PIN			LINK-PP INT'L TECHNOLOGY CO., LIMITED					
PART NO. LP11BC02000			GENNERAL TOLERANCE			UNIT:MM	SIZE:A4	
APPROVE	CHECK	DRAW	◦ X±0.20	◦ X±1°	SCALE:1:1	SHEET:1/4	REV:A	
LEO	JAMES	JAMES	◦ XX±0.15	◦ XX±5°				
			◦ XXX±0.10					



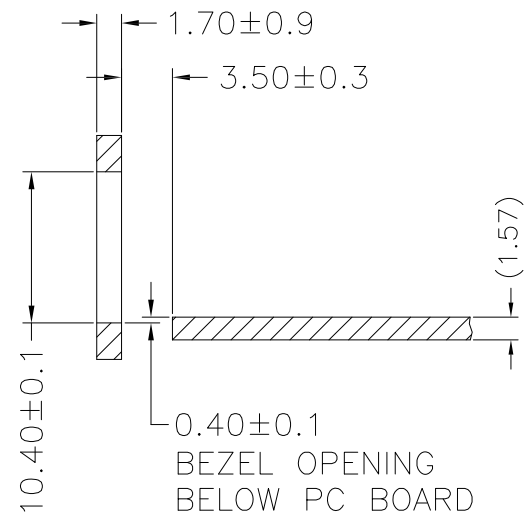
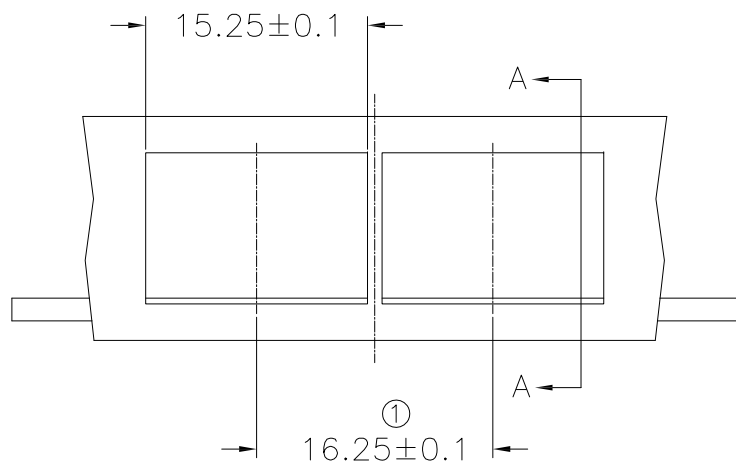
RECOMMENDED PCB CONFIGURATION

NOTES:

- ① DATUM AND BASIC DIMENSIONS ESTABLISHED BY CUSTOMER
- ② PADS AND VIAS ARE CHASSIS GROUND, 11 PLACES
- ③ THRU HOLES, PLATING OPTIONAL



TITLE SFP+ 1x1 CAGE + WITH GROUNDING PIN			LINK-PP INT'L TECHNOLOGY CO., LIMITED			
PART NO. LP11BC02000			GENNERAL TOLERANCE		UNIT:MM	SIZE:A4
APPROVE	CHECK	DRAW	◦ X±0.20	◦ X±1°	SCALE:1:1	SHEET:2/4
LEO	JAMES	JAMES	◦ XX±0.15	◦ XX±5°		
			◦ XXX±0.10			



BEZEL OPENING
BELOW PC BOARD

SECTION A-A

RECOMMENDED BEZEL DESIGN

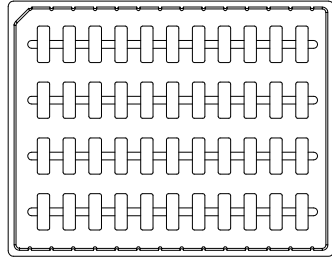
NOTES:

- ① MINIMUM PITCH ILLUSTRATED, ENGLISH DIMENSIONS ARE FOR REFERENCE ONLY

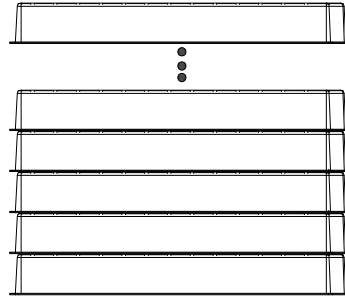


TITLE SFP+ 1x1 CAGE + WITH GROUNDING PIN			LINK-PP INT'L TECHNOLOGY CO., LIMITED				
PART NO. LP11BC02000			GENNERAL TOLERANCE			UNIT:MM	SIZE:A4
APPROVE	CHECK	DRAW	◦ X±0.20	◦ X±1°	SCALE:1:1	SHEET:3/4	REV:A
LEO	JAMES	JAMES	◦ XX±0.15	◦ XX±5°			
			◦ XXX±0.10				

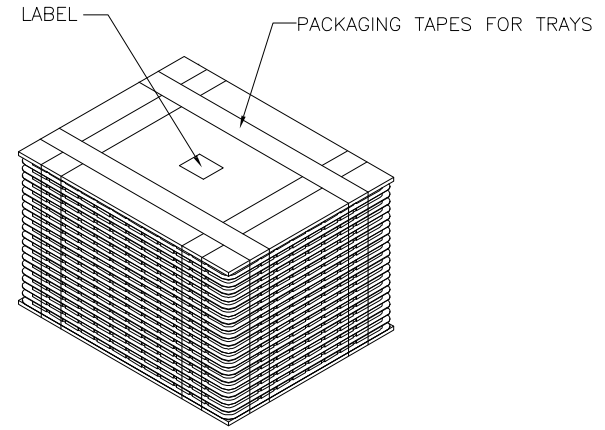
PACKAGE INFORMATION AND LABEL



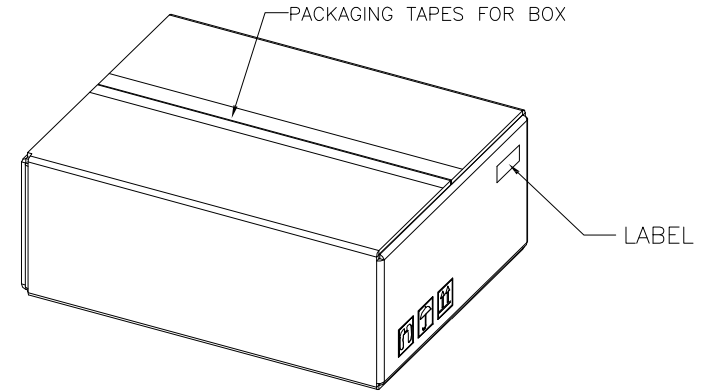
1. PRODUCTS IN TRAYS



2. TRAYS OVERLAY:
(THE NEXT TRAY NEED ROTATE 180 DEGREE AND PUT IT ON PREVIOUS TRAY.)
(相邻两个吸塑间水平方向成180度摆放)



3. LABEL & PACKAGING TAPES FOR TRAYS:



4. LABEL & PACKAGING TAPES FOR BOX

PACKAGING LISTS	
ITEM	Q'TY
PRODUCT	352 PCS
TRAY	8 PCS
BOX(L340*W265*H200MM)	1 PCS
LABLE	2 PCS
PACKAGING TAPES	8 M (ABOUT)



TITLE SFP+ 1x1 CAGE + WITH GROUNDING PIN			LINK-PP INT'L TECHNOLOGY CO., LIMITED			
PART NO. LP11BC02000			GENNERAL TOLERANCE		UNIT:MM	SIZE:A4
APPROVE	CHECK	DRAW	◦ X±0.20	◦ X±1°	SCALE:1:1	SHEET:4/4
LEO	JAMES	JAMES	◦ XX±0.15	◦ XX±5°		
			◦ XXX±0.10			REV:A