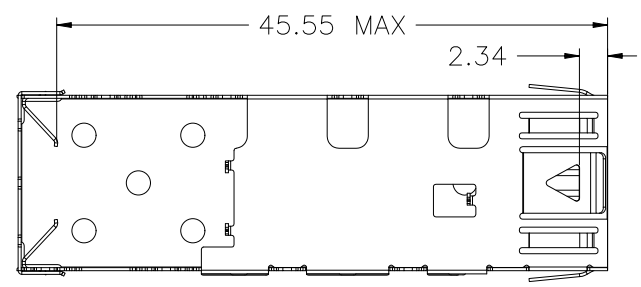
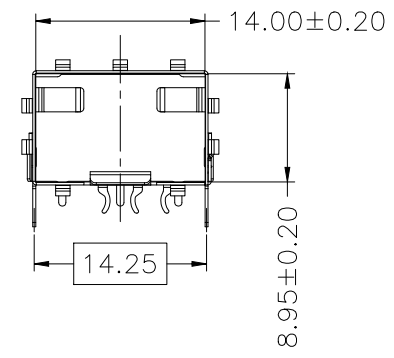
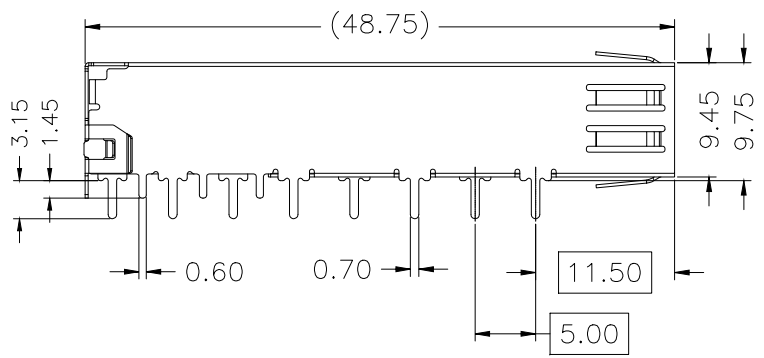
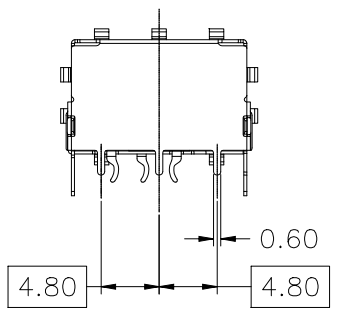
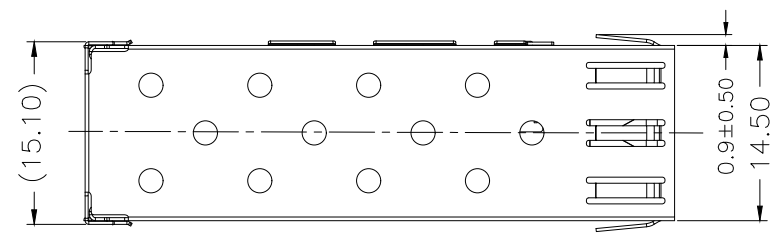


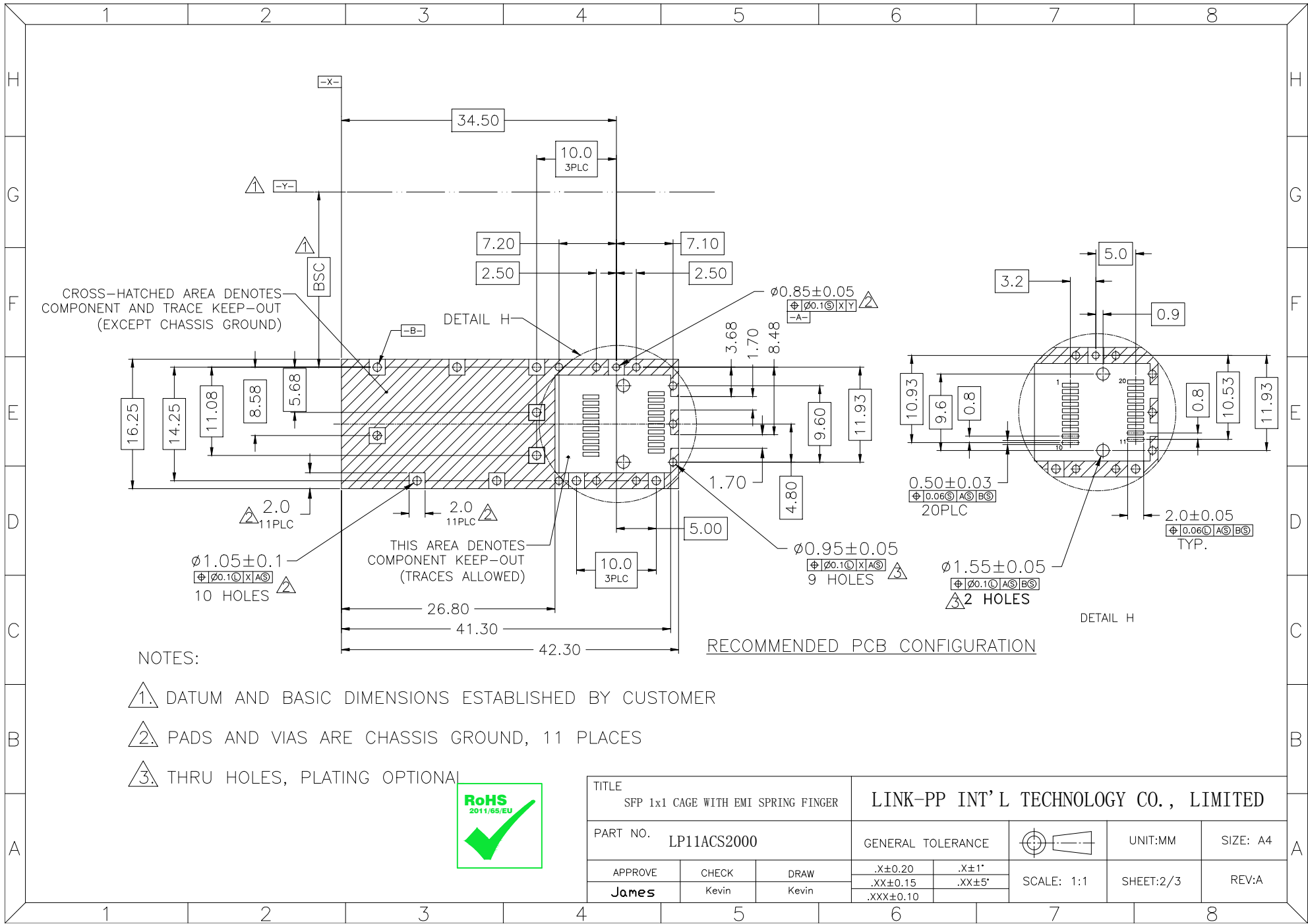
REV	DESCRIPTION OF CHANGE	REVIEWED BY	ISSUE DATE
A	FIRST ISSUE	James	2021-08-01



- NOTES:
- 1.MATERIAL: COPPER ALLOY, NI-PLATED
 - 2.PACKAGING: TRAY PACKAGING
 - 3.TEMPERATURE RANGE: -55°C TO +85°C



TITLE SFP 1x1 CAGE WITH EMI SPRING FINGER			LINK-PP INT'L TECHNOLOGY CO., LIMITED				
PART NO. LP11ACS2000			GENERAL TOLERANCE			UNIT:MM	SIZE: A4
APPROVE	CHECK	DRAW	.X±0.20	.X±1°	SCALE: 1:1	SHEET:1/3	REV:A
James	Kevin	Kevin	.XX±0.15	.XX±5°			
			.XXX±0.10				



CROSS-HATCHED AREA DENOTES COMPONENT AND TRACE KEEP-OUT (EXCEPT CHASSIS GROUND)

THIS AREA DENOTES COMPONENT KEEP-OUT (TRACES ALLOWED)

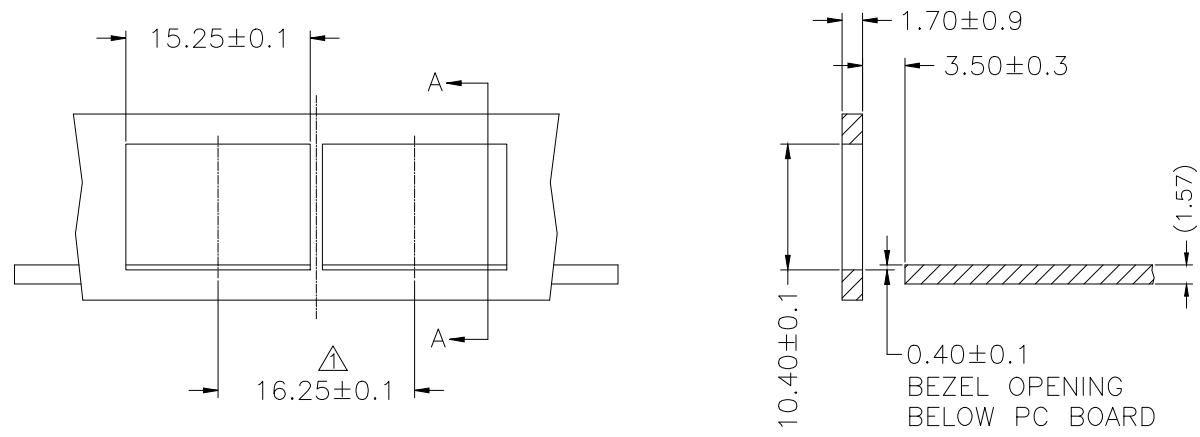
NOTES:

- 1. DATUM AND BASIC DIMENSIONS ESTABLISHED BY CUSTOMER
- 2. PADS AND VIAS ARE CHASSIS GROUND, 11 PLACES
- 3. THRU HOLES, PLATING OPTIONAL



RECOMMENDED PCB CONFIGURATION

TITLE SFP 1x1 CAGE WITH EMI SPRING FINGER			LINK-PP INT'L TECHNOLOGY CO., LIMITED			
PART NO. LP11ACS2000			GENERAL TOLERANCE		UNIT:MM	SIZE: A4
APPROVE	CHECK	DRAW	.X±0.20	.X±1*	SCALE: 1:1	SHEET:2/3
James	Kevin	Kevin	.XX±0.15	.XX±5*		
			.XXX±0.10			



RECOMMENDED BEZEL DESIGN

NOTES:
 ▲ MINIMUM PITCH ILLUSTRATED, ENGLISH DIMENSIONS ARE FOR REFERENCE ONLY



TITLE			LINK-PP INT'L TECHNOLOGY CO., LIMITED				
SFP 1x1 CAGE WITH EMI SPRING FINGER			PART NO. LP11ACS2000		GENERAL TOLERANCE	UNIT:MM	SIZE: A4
APPROVE	CHECK	DRAW	.X±0.20	.X±1°	SCALE: 1:1	SHEET:3/3	REV:A
James	Kevin	Kevin	.XX±0.15	.XX±5°			
			.XXX±0.10				