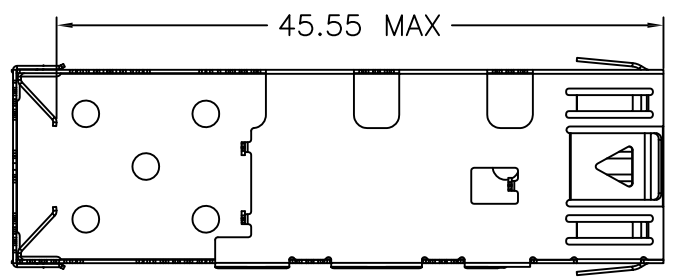
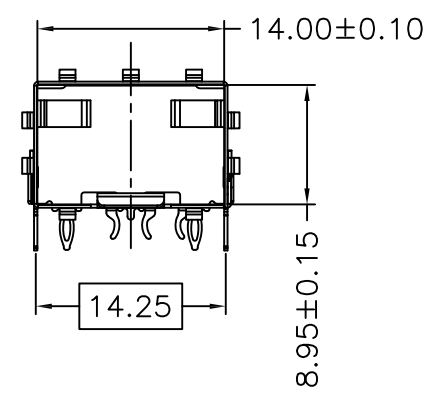
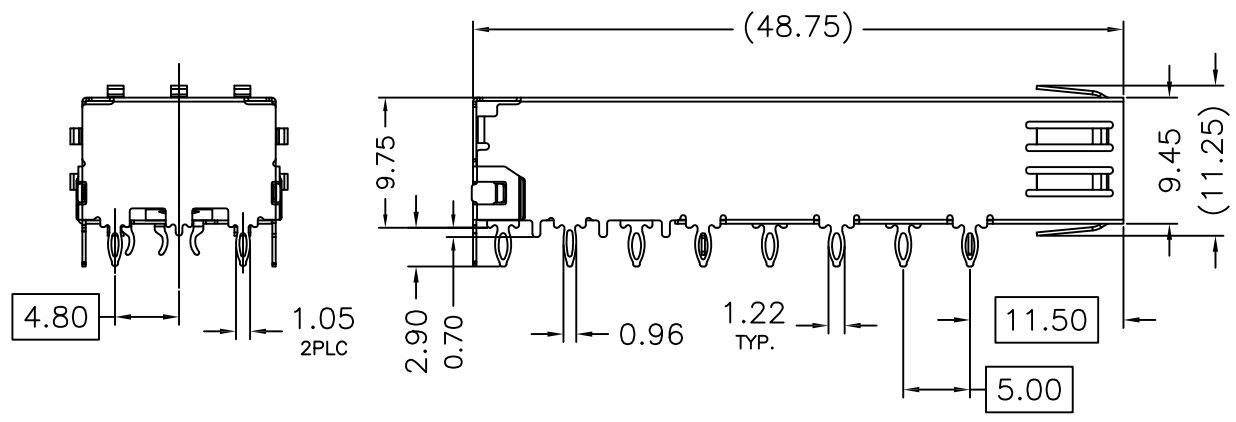
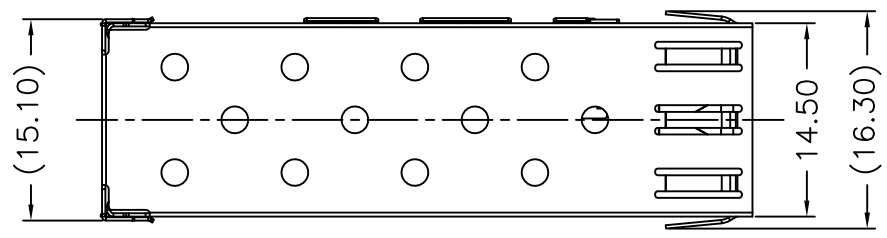


|     |                       |             |
|-----|-----------------------|-------------|
| 6   | 7                     | 8           |
| REV | DESCRIPTION OF CHANGE | REVIEWED BY |
| A   | FIRST ISSUE           | James       |
|     |                       | ISSUE DATE  |
|     |                       | 2021-08-01  |

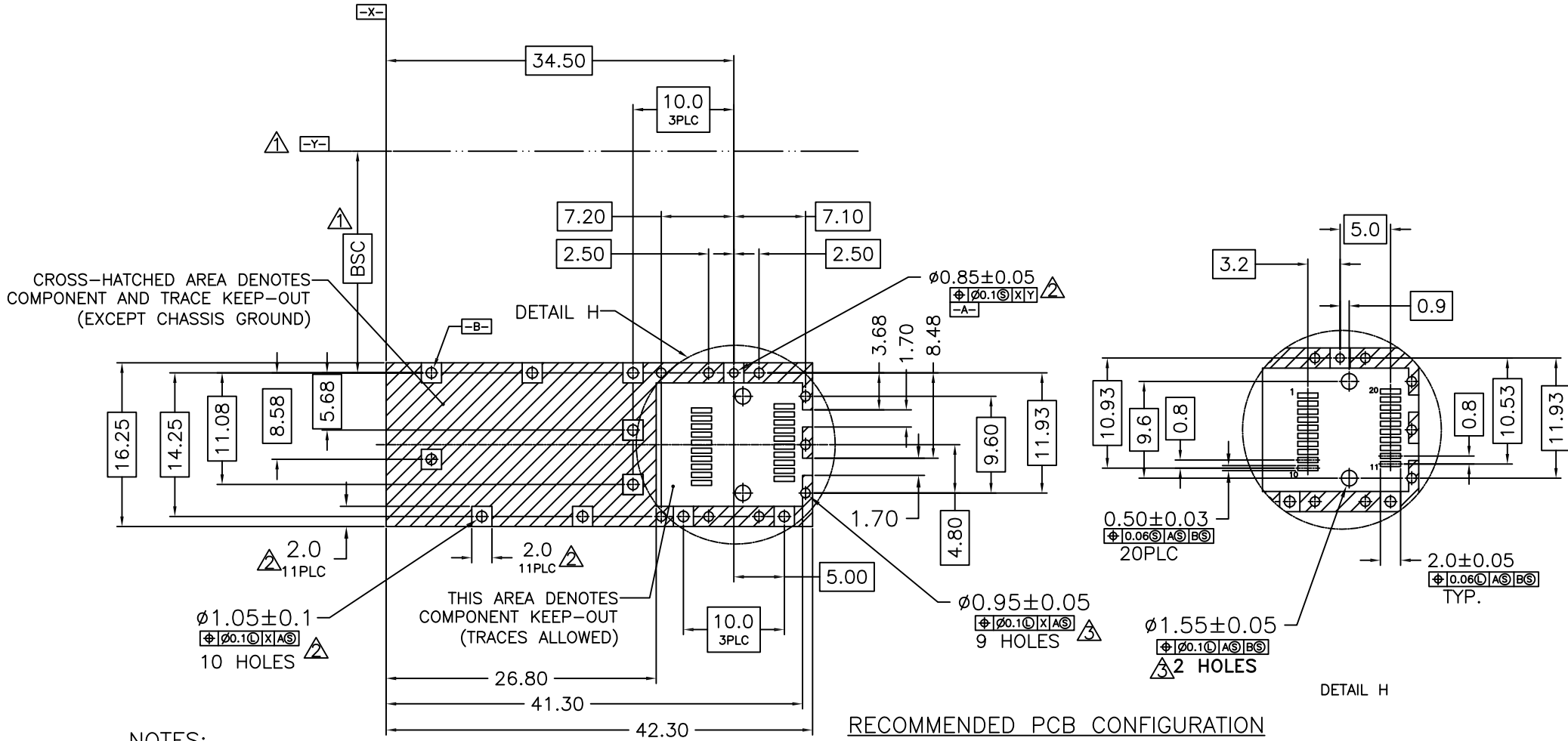


NOTES:

- 1.MATERIAL: COPPER ALLOY, NI-PLATED
- 2.PACKAGING: TRAY PACKAGING
- 3.TEMPERATURE RANGE: -55°C TO +85°C



|              |       |       |                                       |        |            |
|--------------|-------|-------|---------------------------------------|--------|------------|
| TITLE        |       |       | LINK-PP INT'L TECHNOLOGY CO., LIMITED |        |            |
| SFP 1X1 CAGE |       |       |                                       |        |            |
| PART NO.     |       |       | GENERAL TOLERANCE                     |        | UNIT:MM    |
| LP11AC02001  |       |       | .X±0.20                               | .X±1'  | SIZE: A4   |
| APPROVE      | CHECK | DRAW  | .XX±0.15                              | .XX±5' | SCALE: 1:1 |
| James        | Kevin | Kevin | .XXX±0.10                             |        | SHEET:1/3  |
|              |       |       |                                       |        | REV:A      |

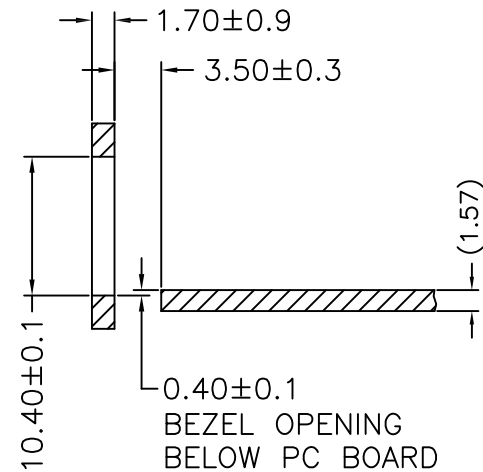
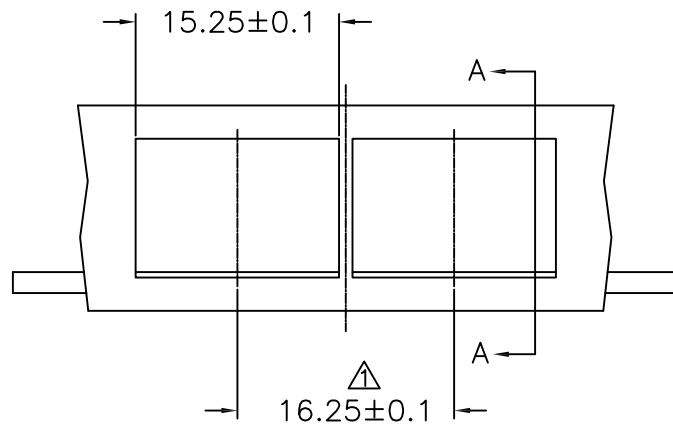


NOTES:

- 1. DATUM AND BASIC DIMENSIONS ESTABLISHED BY CUSTOMER
- 2. PADS AND VIAS ARE CHASSIS GROUND, 11 PLACES
- 3. THRU HOLES, PLATING OPTIONAL



|          |       |       |              |        |                                       |           |         |          |
|----------|-------|-------|--------------|--------|---------------------------------------|-----------|---------|----------|
| TITLE    |       |       | SFP 1X1 CAGE |        | LINK-PP INT'L TECHNOLOGY CO., LIMITED |           |         |          |
| PART NO. |       |       | LP11AC02001  |        | GENERAL TOLERANCE                     |           | UNIT:MM | SIZE: A4 |
| APPROVE  | CHECK | DRAW  | .X±0.20      | .X±1'  | SCALE: 1:1                            | SHEET:2/3 | REV:A   |          |
| James    | Kevin | Kevin | .XX±0.15     | .XX±5' |                                       |           |         |          |
|          |       |       | .XXX±0.10    |        |                                       |           |         |          |



SECTION A-A

RECOMMENDED BEZEL DESIGN

NOTES:  
 ▲ MINIMUM PITCH ILLUSTRATED, ENGLISH  
 DIMENSIONS ARE FOR REFERENCE ONLY



|              |       |       |                                       |        |            |           |
|--------------|-------|-------|---------------------------------------|--------|------------|-----------|
| TITLE        |       |       | LINK-PP INT'L TECHNOLOGY CO., LIMITED |        |            |           |
| SFP 1X1 CAGE |       |       |                                       |        |            |           |
| PART NO.     |       |       | GENERAL TOLERANCE                     |        | UNIT:MM    | SIZE: A4  |
| LP11AC02001  |       |       |                                       |        |            |           |
| APPROVE      | CHECK | DRAW  | .X±0.20                               | .X±1'  | SCALE: 1:1 | SHEET:3/3 |
| James        | Kevin | Kevin | .XX±0.15                              | .XX±5' |            |           |
|              |       |       | .XXX±0.10                             |        |            |           |
|              |       |       |                                       |        | REV:A      |           |