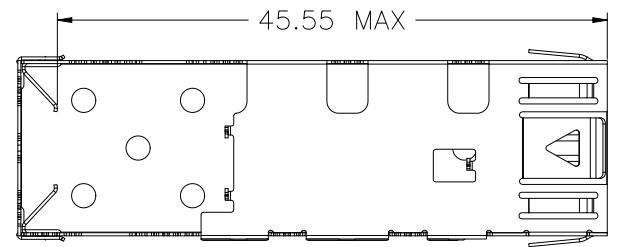
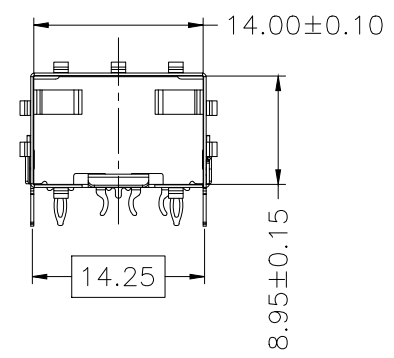
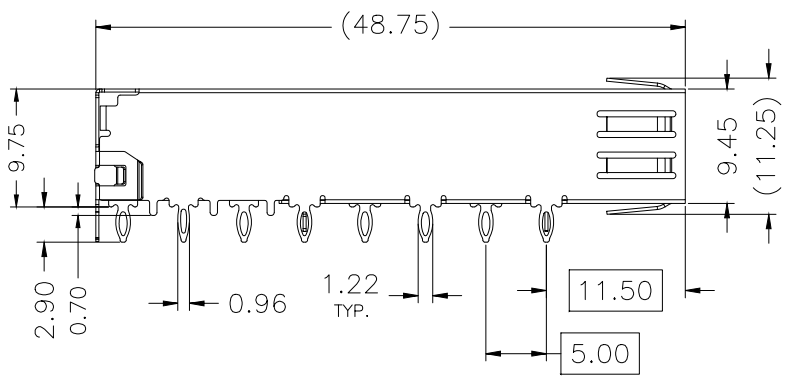
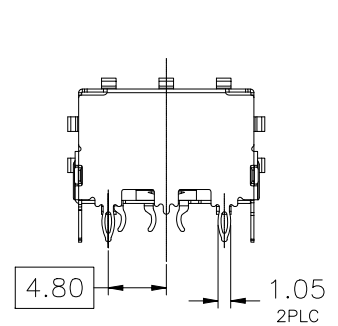
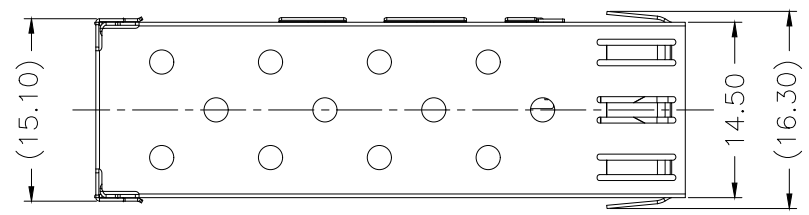


REV	DESCRIPTION OF CHANGE	REVIEWED BY	ISSUE DATE
A	FIRST ISSUE	JAMES	2021-09-02

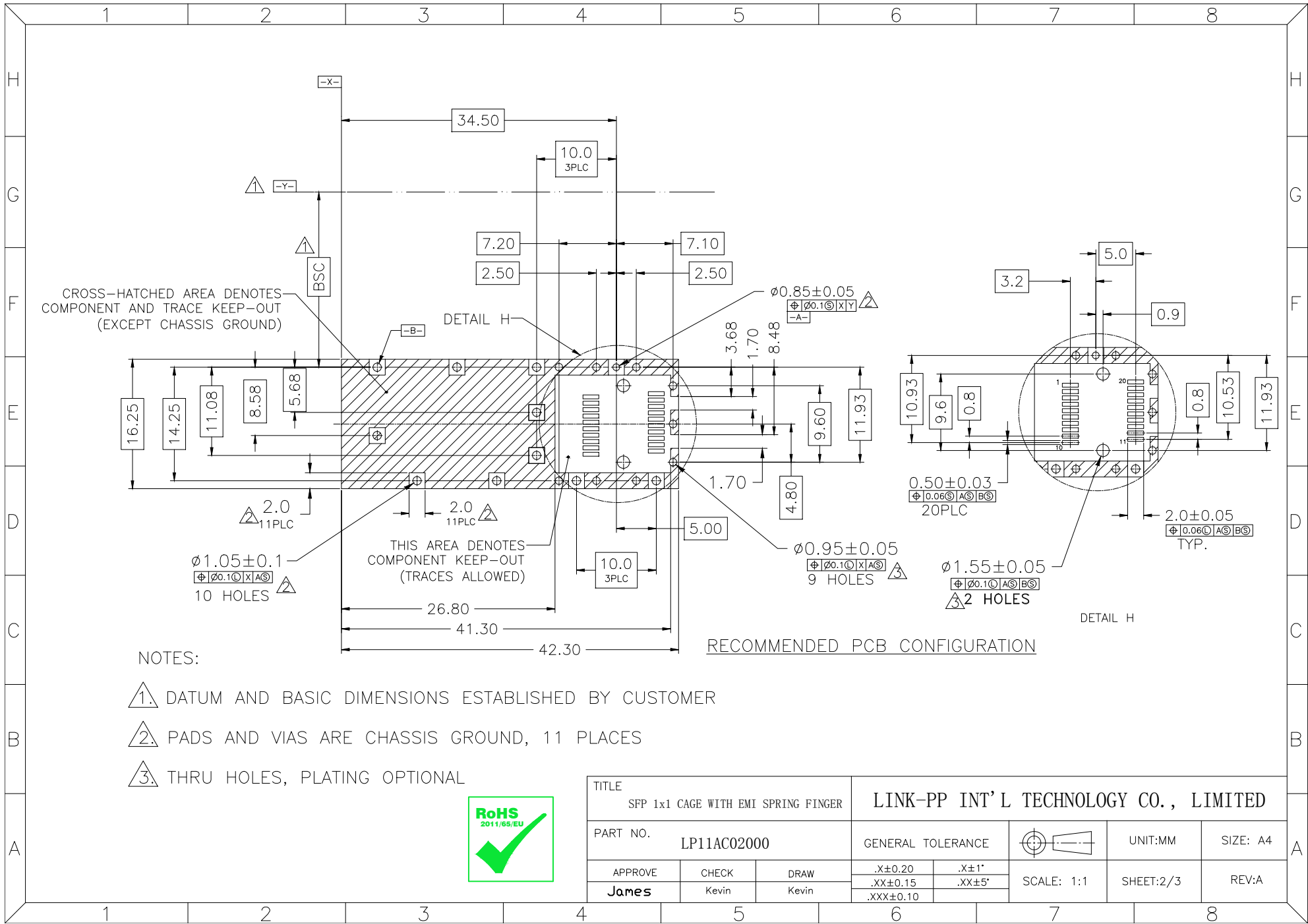


NOTES:

- 1.MATERIAL: COPPER ALLOY, NI-PLATED
- 2.PACKAGING: TRAY PACKAGING
- 3.TEMPERATURE RANGE: -55°C TO +85°C



TITLE SFP 1x1 CAGE WITH EMI SPRING FINGER			LINK-PP INT'L TECHNOLOGY CO., LIMITED				
PART NO. LP11AC02000			GENERAL TOLERANCE			UNIT:MM	SIZE: A4
APPROVE James	CHECK Kevin	DRAW Kevin	.X±0.20	.X±1°	SCALE: 1:1	SHEET:1/3	REV:A
			.XX±0.15	.XX±5°			
			.XXX±0.10				

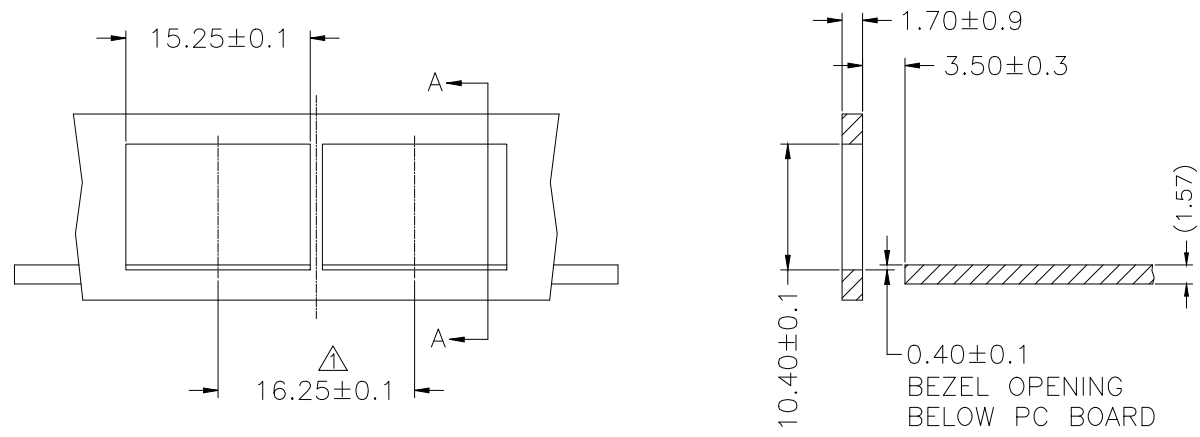


NOTES:

- 1. DATUM AND BASIC DIMENSIONS ESTABLISHED BY CUSTOMER
- 2. PADS AND VIAS ARE CHASSIS GROUND, 11 PLACES
- 3. THRU HOLES, PLATING OPTIONAL



TITLE		LINK-PP INT'L TECHNOLOGY CO., LIMITED			
SFP 1x1 CAGE WITH EMI SPRING FINGER					
PART NO.		GENERAL TOLERANCE		UNIT:MM	SIZE: A4
LP11AC02000					
APPROVE	CHECK	DRAW	.X±0.20	SCALE: 1:1	SHEET:2/3
James	Kevin	Kevin	.X±1*		
			.XX±0.15		
			.XXX±0.10		REV:A



RECOMMENDED BEZEL DESIGN

NOTES:
 ▲ MINIMUM PITCH ILLUSTRATED, ENGLISH DIMENSIONS ARE FOR REFERENCE ONLY



TITLE			LINK-PP INT'L TECHNOLOGY CO., LIMITED			
SFP 1x1 CAGE WITH EMI SPRING FINGER			PART NO.		LP11AC02000	
APPROVE			CHECK	DRAW	GENERAL TOLERANCE	
James			Kevin	Kevin	.X±0.20 .X±1° .XX±0.15 .XX±5° .XXX±0.10	
UNIT:MM			SCALE: 1:1	SHEET:3/3	SIZE: A4	
REV:A						