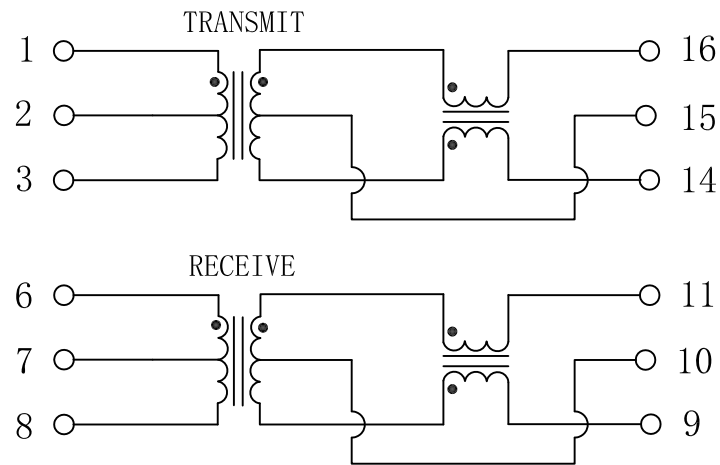


Schematic:

REV.	ECN NO.	DESCRIPTION	DATE	APPD
A	REL		19/01/2010	



Electrical Specifications @25

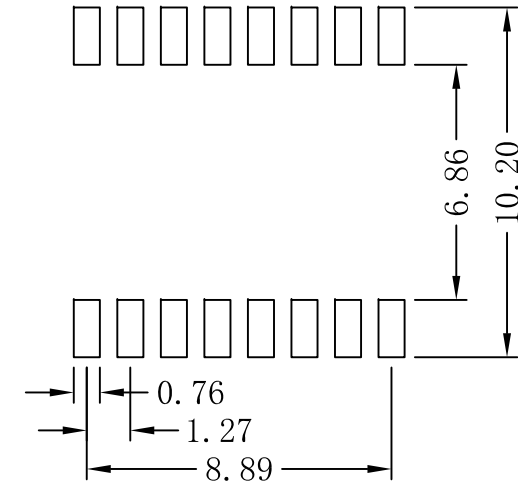
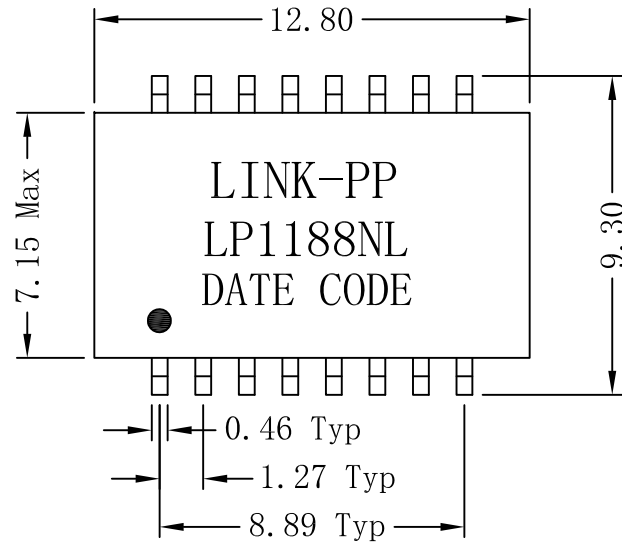
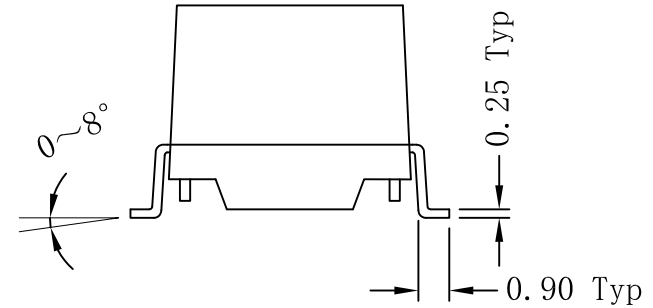
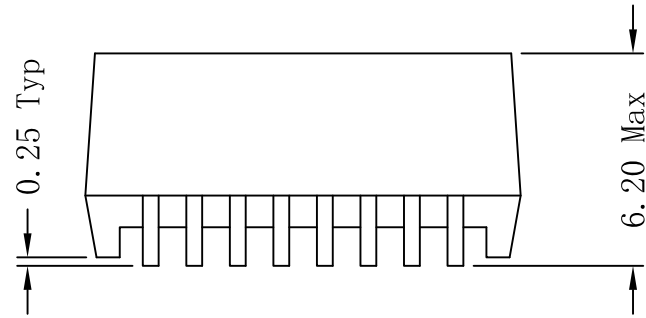
- Turns Ratio ($\pm 3\%$):
TX=1CT : 1CT RX=1CT : 1CT
- OCL: 350uH MIN
@100KHz, 0.1Vrms, 8mADC Bias.
- Insertion Loss:
0.1-100MHz: -1.1dB MAX
- Return Loss (dB MIN @ 100 Ω):
30MHz: -20 60MHz: -14
80MHz: -11.5
- Crosstalk (dB MIN):
30MHz: -45 60MHz: -40
100MHz: -35
- DCMR (dB MIN):
30MHz: -42 60MHz: -37
100MHz: -33
- Hipot: 1500Vrms MIN
- Operating Temperature: $-40^{\circ}\text{C} \sim +85^{\circ}\text{C}$.



X:X	APPD:	LINK-PP INT'L TECHNOLOGY CO., LIMITED		
X:XX	± 0.25	CHKD:	TITLE: 10/100 Base-T Single Port Transformer Modules	
X:XXX		DR: TOM	PART NO.: LP1188NL	
ANGLES	$\pm 1^{\circ}$	UNIT: mm	DWG NO.: LP10011908	
	SCALE: 2/1	SHEET: 1/2	REV: A	

Mechanical:

REV.	ECN NO.	DESCRIPTION	DATE	APPD
A	REL		19/01/2010	



SUGGESTED PAD LAYOUT



NOTES:

1. Designed to support application, such as SOHO (ADSL modems), LAN-on-Motherboard (LOM), hub and Switches.
2. Plastic: Thermoset plastic material with flammability rating UL 94V-0 or better.
3. With various Turns Ratios.
4. Maximum reflow temperature is 250°C, 5 Sec.
5. UL Certification: File Number E484635.

Dimensions: mm

Unless otherwise specified, all tolerances are ± 0.25

X:X	APPD:	LINK-PP INT'L TECHNOLOGY CO., LIMITED		
X:XX	± 0.25	CHKD:	TITLE: 10/100 Base-T Single Port Transformer Modules	
X:XXX		DR: TOM	PART NO.: LP1188NL	
ANGLES	$\pm 1^\circ$	UNIT: mm	REV: A	DWG NO.: LP10011908
	SCALE: 2/1	SHEET: 2/2		