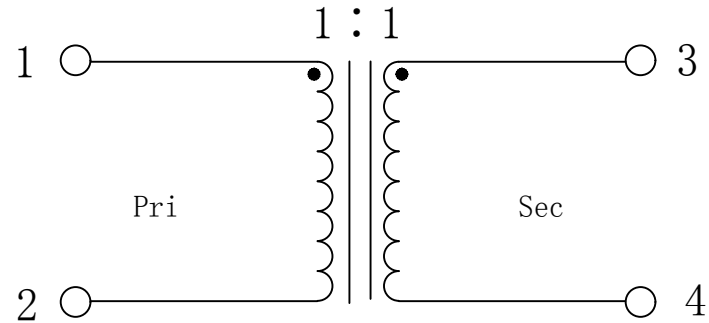


Schematic:

REV.	ECN NO.	DESCRIPTION	DATE	APPD
B	REL		2019/05/08	



Electrical Specifications @25°C

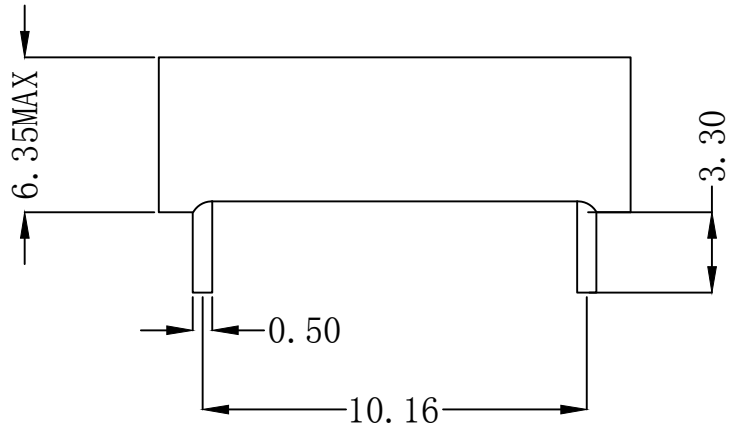
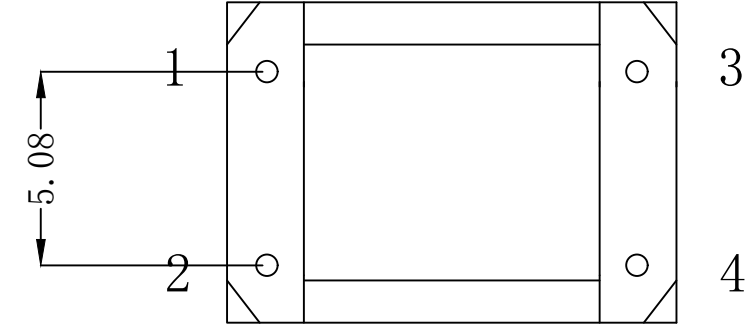
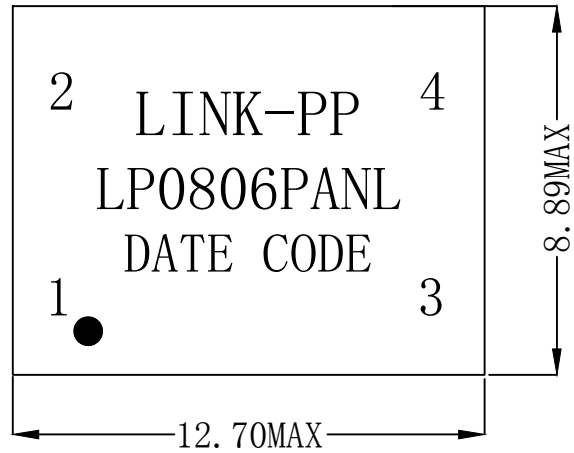
1. Turns Ratio (Pri : Sec 3%) : 1:1
2. Pri Pins: 1-2
3. OCL: $1150\mu\text{H} \pm 30\%$ @100KHz, 100mV
4. ET Constant : 22 (V-us Min)
5. DCR (Pri) : $0.9\ \Omega$ Max
6. Leakage inductance: $8\mu\text{H} \pm 20\%$
7. C_{ww}: 12pF Max
8. Mechanical dimensions of the toroid:
5.8*3.05*3.05mm
9. Hi-Pot: 3500VAC/3S @1mA, 50/60Hz
10. Operating Temperature: $-40^\circ\text{C} \sim +105^\circ\text{C}$



X:X	APPD:	LINK-PP INT'L TECHNOLOGY CO., LIMITED		
X:XX	CHKD:	Title: Converter Isolation Modules		
X:XXX	DR: James	PART NO.: LP0806PANL		
ANGLES $\pm 1^\circ$	UNIT: mm	SCALE: 2/1	SHEET: 1/2	REV: B
		DWG NO.: LP19050808		

Mechanical:

REV.	ECN NO.	DESCRIPTION	DATE	APPD
B	REL		2019/05/08	



NOTES:

1. Designed to support application, such as SOHO (ADSL modems), LAN-on-Motherboard (LOM), hub and Switches.
2. Plastic: Thermoset plastic material with flammability rating UL 94V-0 or better.
3. The primary wire is triple insulated wire.
4. With various Turns Ratios.
5. Maximun reflow temperature is 245°C, 5 Sec.
6. UL Certification: File Number E484635

Dimensions: mm

Unless otherwise specified, all tolerances are ± 0.25



X:X	APPD:	LINK-PP INT'L TECHNOLOGY CO., LIMITED		
X:XX	CHKD:	Title: Converter Isolation Modules		
X:XXX	DR: James	PART NO.: LP0806PANL		
ANGLES $\pm 1^\circ$	UNIT: mm	DWG NO.: LP19050808		
	SCALE: 2/1	SHEET: 2/2	REV: B	